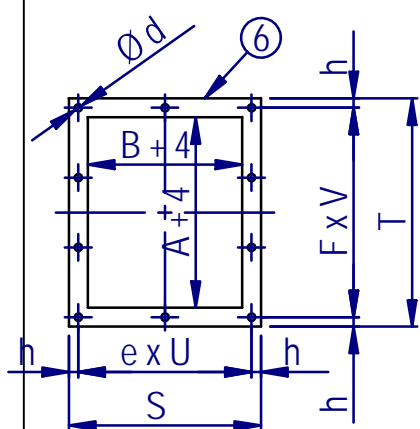
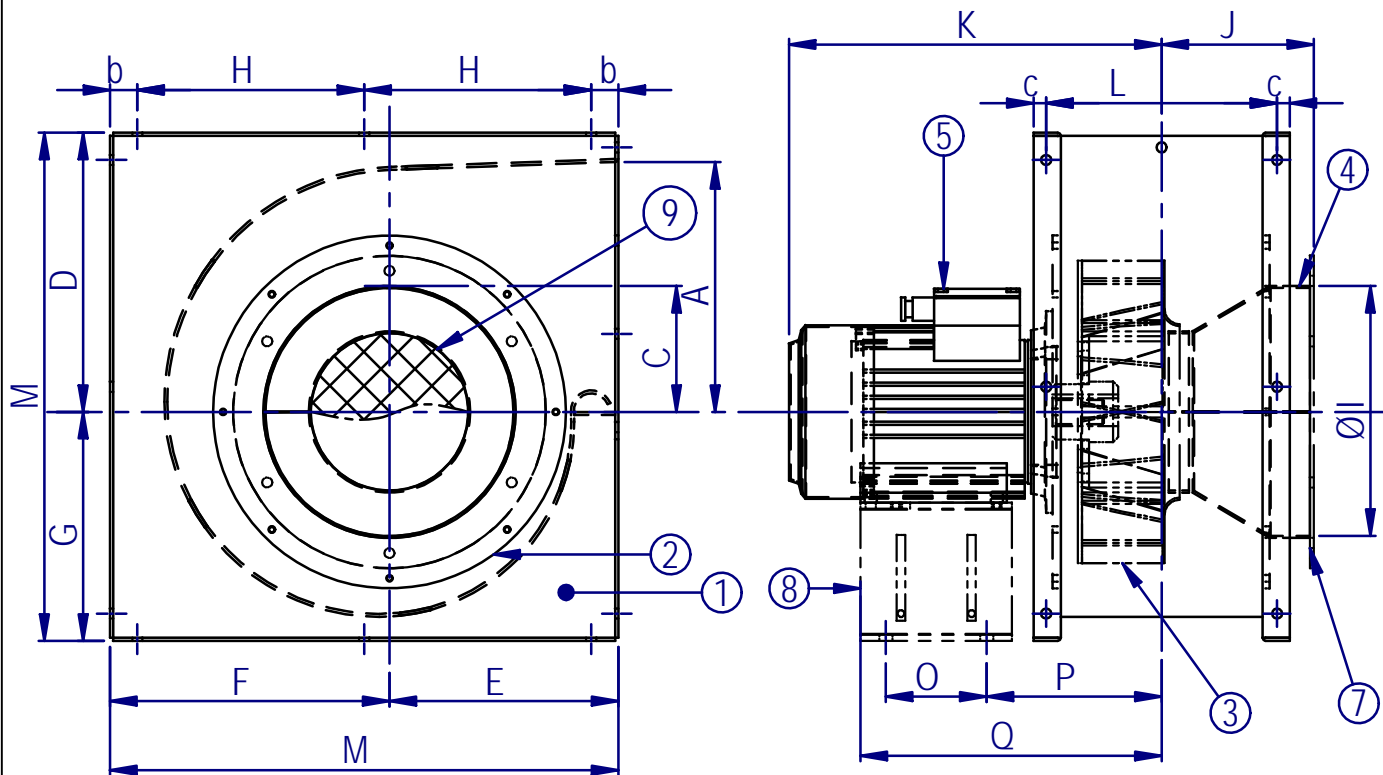


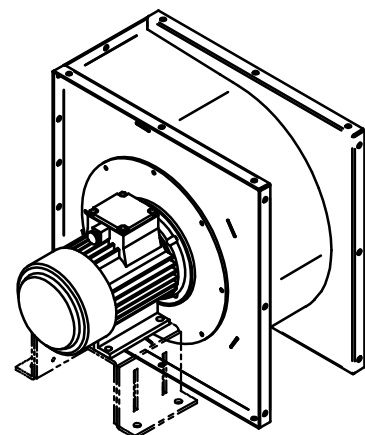


LOW PRESSURE CENTRIFUGAL FAN
Dimension Drawing

LSV - B1



	Contra flange, Inlet	option
	Contra flange, Outlet	option
9	Wire guard, Inlet	option
8	Motor pedestall	required for heavy motors
7	Flange inlet	option
6	Flange outlet	
5	El. motor	
4	Conn.piece,collar in	
3	Impeller	
2	Inlet cone	
1	Fan housing	
Item	Description	Remarks



Material: Alum.5052 (Option:AISI 316L)

Fan Size Ø I	A	B	C	D	E	F	G	H	J	K	L	M	weight [kg] excl. motor
250	248	200	125	277	227	277	227	225	146		229	504	10,5
315	296	230	150	327	272	307	252	262,5	161		258	579	13
400	405	298	200	433	353	413	333	350	197		334	766	24
500	494	384	250	533	403	543	413	440	250		420	946	34
600	600	460	300	633	503	623	493	530	288		496	1126	51
	b	c	d	e	f	h	U	V	S	T	O	P	Q
250	27	12,5	10	2	3	12,5	114,5	92,5	254	304			
315	27	12,5	10	2	3	12,5	129	108,5	284	350			
400	33	15	12	2	4	15	167	110	364	470			
500	33	15	12	3	4	15	140	132,5	450	560			
600	33	15	12	3	4	15	165,3	159	526	666			

4-2248

N Y B O R G A S

5/8-05
K.Klokk

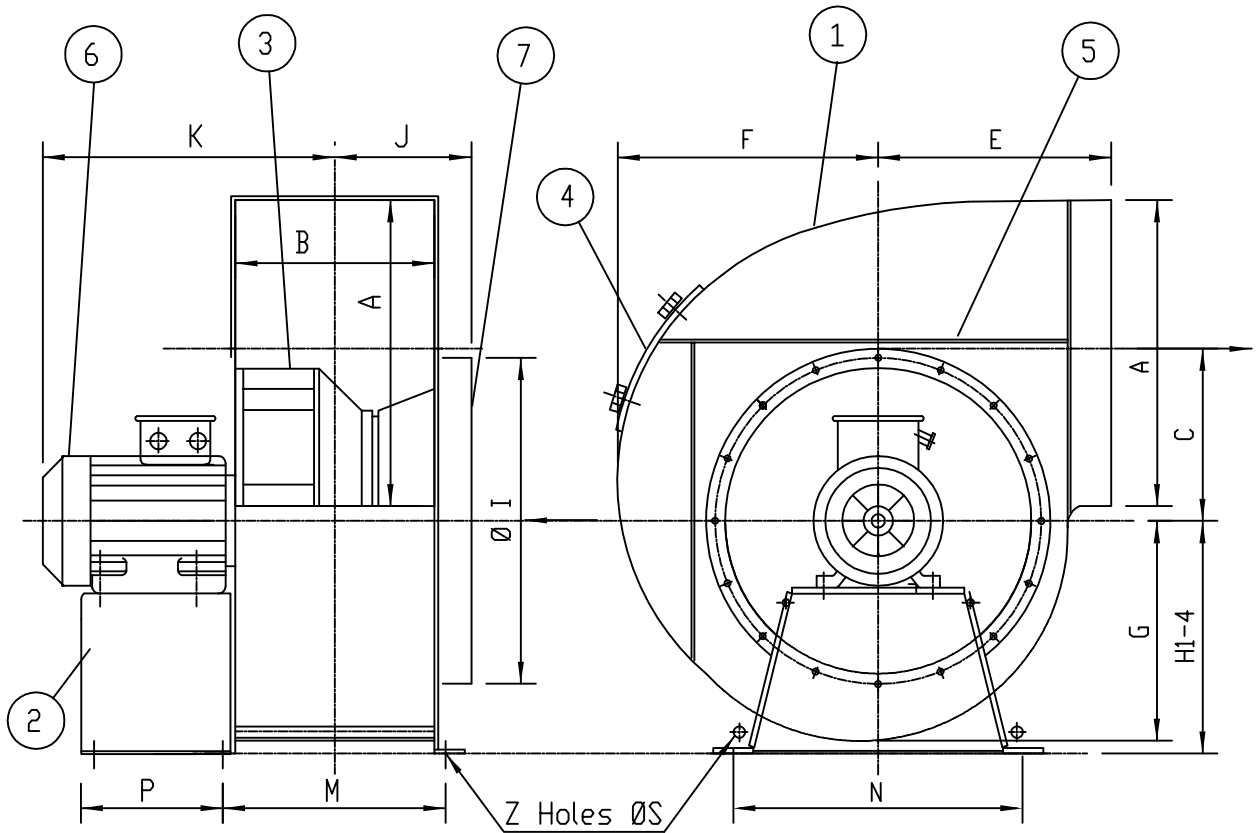
N-6230 SYKKYLVEN, NORWAY
TEL +47 70 25 40 80 - FAX +47 70 25 29 08
office@nyborgfan.com - www.nyborgfan.com

LSV - B1



LOW PRESSURE CENTR. FAN
Direct Driven

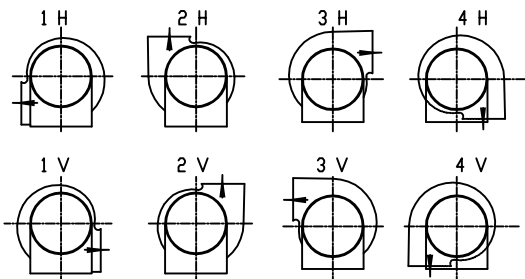
LSV-B1



SIZE NO	A= ØI	B	C	E	F	G	H1	H2	H3	H4	J	M	N	P	T	Z	S
700	700	548	400	500	625	530	800	650	550	460	330	695	760	400	4	4	14
800	800	620	450	540	680	575	900	750	650	500	365	765	850	350	4	4	14
900	900	706	500	600	755	635	1000	800	700	550	400		900		4	4	18
1000	1000	788	550	700	850	710	1100	900	750	650	475		1000		4	4	22

MOUNTING POSITIONS

To be seen against the inlet



- ① FAN HOUSING.
Matl.:
- ② MOTOR PEDESTAL.
Matl.:
- ③ FAN IMPELLER.
Matl.: Salt and amoniaresistive alum. alloy.
- ④ INSPECTION HATCH.
Matl.:
- ⑤ REINFORCEMENTS.
Matl.:
- ⑥ EL. MOTOR: Model:
kW: Rpm: V: Hz:
- ⑦ INLET CONE.
Matl.:

26.03.92

AMM

LSVBIBG

N Y B O R G A S

N-6230 SYKKYLVEN - NORWAY

Tel: +47 70 25 40 80 - Fax +47 70 25 29 08

E-MAIL: office@nyborgfan.com - WEB: www.nyborgfan.com

LSV-B1

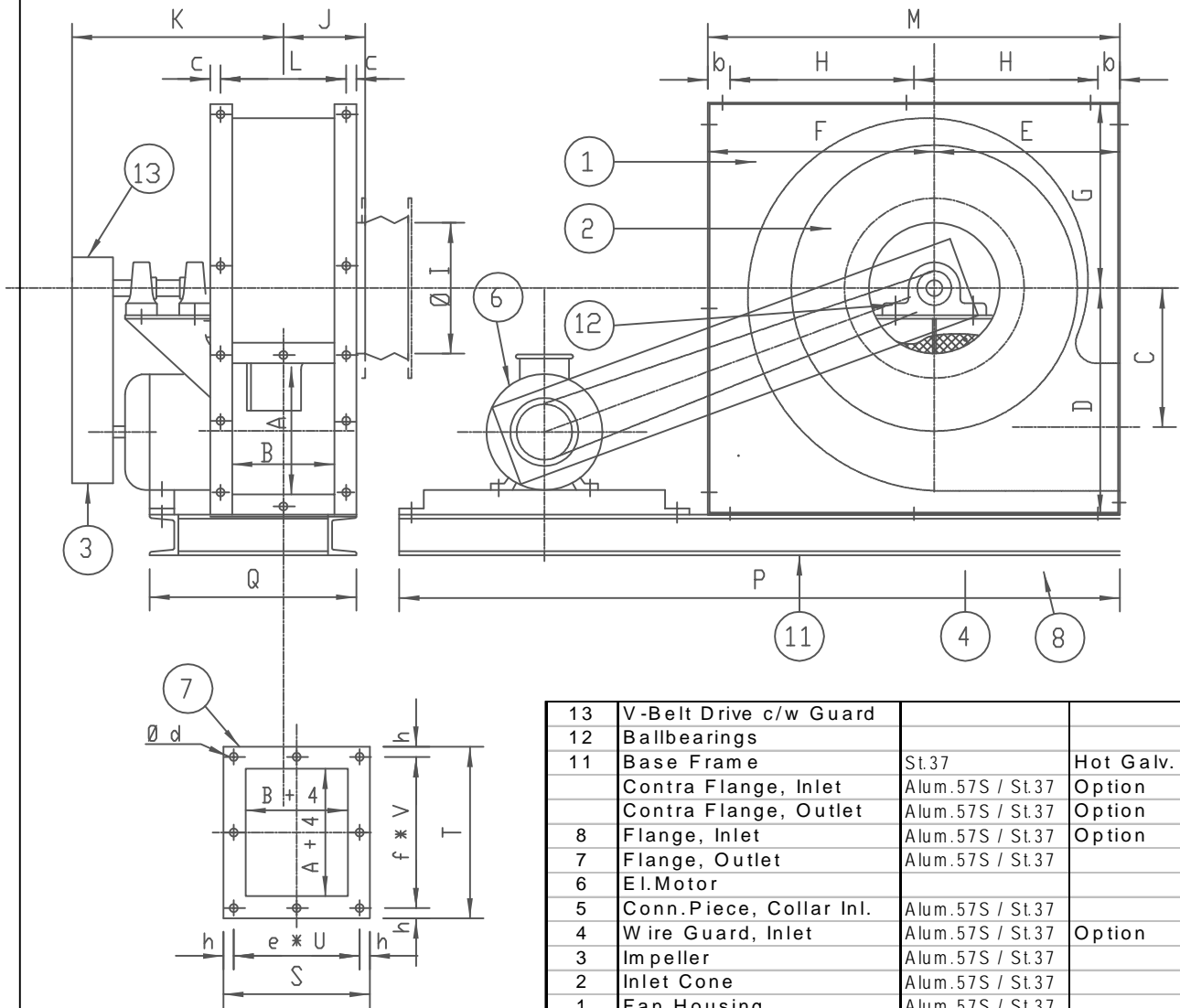


MEDIUM PRESSURE CENTRIFUGAL FAN

Belt Drive Design
Dimension Drawing

MSV - B2

Bearing Pedestal



13	V-Belt Drive c/w Guard		
12	Ballbearings		
11	Base Frame	St.37	Hot Galv.
	Contra Flange, Inlet	Alum.57S / St.37	Option
	Contra Flange, Outlet	Alum.57S / St.37	Option
8	Flange, Inlet	Alum.57S / St.37	Option
7	Flange, Outlet	Alum.57S / St.37	
6	El.Motor		
5	Conn.Piece, Collar Inl.	Alum.57S / St.37	
4	Wire Guard, Inlet	Alum.57S / St.37	Option
3	Impeller	Alum.57S / St.37	
2	Inlet Cone	Alum.57S / St.37	
1	Fan Housing	Alum.57S / St.37	
Item	Description	Material	Remarks

Fan Size Ø I	A	B	C	D	E	F	G	H	J	K	L	M		
125	130	100	140	229	180	244	195	370	75		124	424		
160	156	125	170	277	227	277	227	225	100		154	504		
200	188	160	204	327	272	307	252	262,5	125		189	579		
250	250	190	233	392	282	392	282	305	145		224	674		
315	296	253	250	433	353	413	333	350	175		289	766		
	b	c	d	e	f	h	U	V	S	T	O	P	Q	
125	22	10	9,5	1	1	10	124	154	144	174				
160	27	12,5	9,5	2	2	12,5	77	92,5	179	210				
200	27	12,5	9,5	2	2	12,5	94,5	108,5	214	242				
250	32	15	12	2	2	15	112	142	254	314				
315	33	15	12	2	3	15	144,5	110	319	360				

Date :08/12-95

4-1140-m

Drawn : R.Berge

N Y B O R G A S

N-6230 SYKKYLVEN - NORWAY

Tlf: +47 70 25 40 80 - Fax +47 70 25 29 08 - NO 952 783 297 MVA

E-MAIL: office@nyborgfan.com - WEB: www.nyborgfan.com

MSV - B2

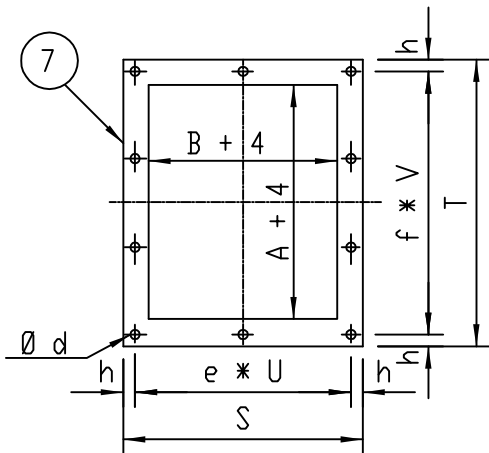
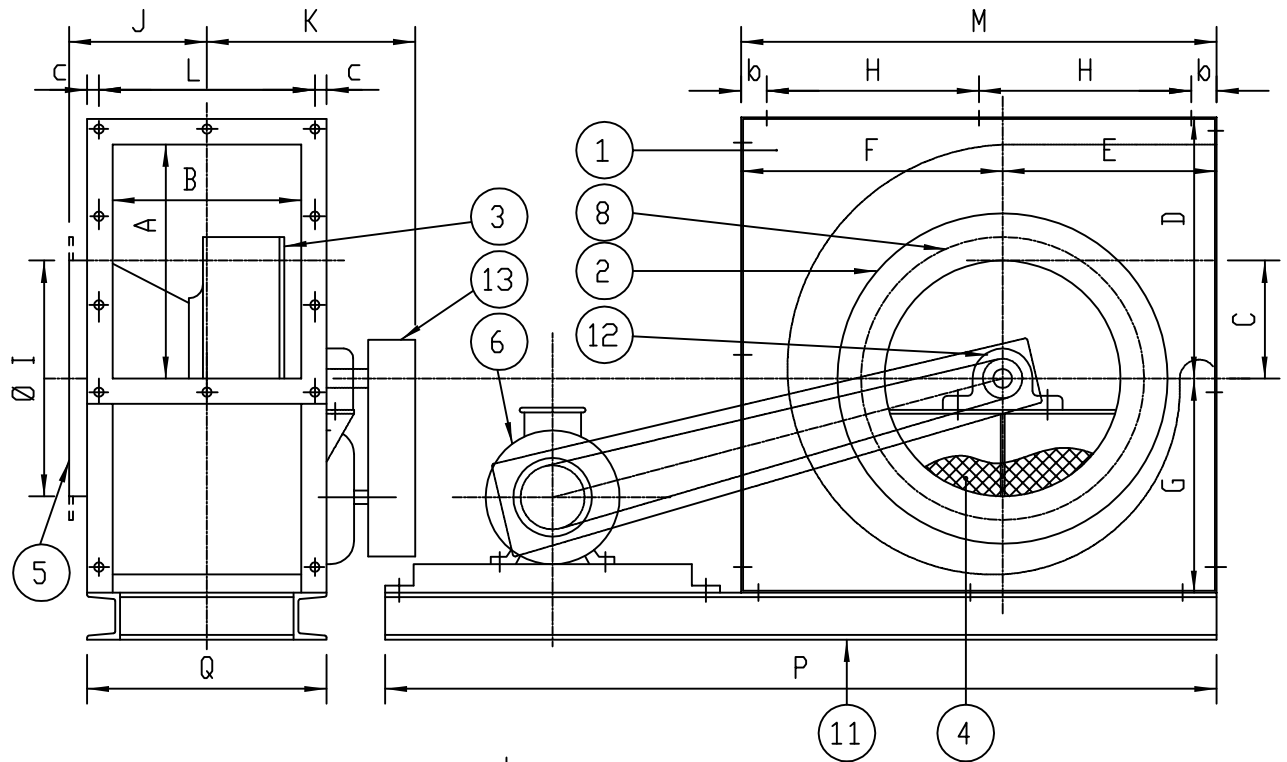
Medium Pressure
Centrifugal Fan



LOW PRESSURE CENTRIFUGAL FAN
Belt Drive Design
Dimension Drawing

LSV - B2

Bearings in Inlet Cone



13	V-Belt Drive c/w Guard		
12	Ballbearings		
11	Base Frame	St.37	Hot Galv.
	Contra Flange, Inlet	Alum.57S / St.37	Option
	Contra Flange, Outlet	Alum.57S / St.37	Option
8	Flange, Inlet	Alum.57S / St.37	Option
7	Flange, Outlet	Alum.57S / St.37	
6	El.Motor		
5	Conn.Piece, Collar Inl.	Alum.57S / St.37	
4	Wire Guard, Inlet	Alum.57S / St.37	Option
3	Impeller	Alum.57S / St.37	
2	Inlet Cone	Alum.57S / St.37	
1	Fan Housing	Alum.57S / St.37	
Item	Description	Material	Remarks

Fan Size Ø I	A	B	C	D	E	F	G	H	J	K	L	M		
250	248	200	125	277	227	277	227	225	146		229	504		
315	296	230	150	327	272	307	252	262,5	161		258	579		
400	405	298	200	433	353	413	333	350	197		334	766		
500	494	384	250	533	403	543	413	440	250		420	946		
600	600	460	300	633	503	623	493	530	288		496	1126		
	b	c	d	e	f	h	U	V	S	T	O	P	Q	
250	27	12,5	10	2	3	12,5	114,5	92,5	254	304				
315	27	12,5	10	2	3	12,5	129	108,5	284	350				
400	33	15	12	2	4	15	167	110	364	470				
500	33	15	12	3	4	15	140	132,5	450	560				
600	33	15	12	3	4	15	165,3	159	526	666				

Date : 08/12-94

4-1133-m

Drawn : R.Berge

N Y B O R G A S

N-6230 SYKKYLVEN - NORWAY

Tlf: +47 70 25 40 80 - Fax +47 70 25 29 08 - NO 952 783 297 MVA

E-MAIL: office@nyborgfan.com - WEB: www.nyborgfan.com

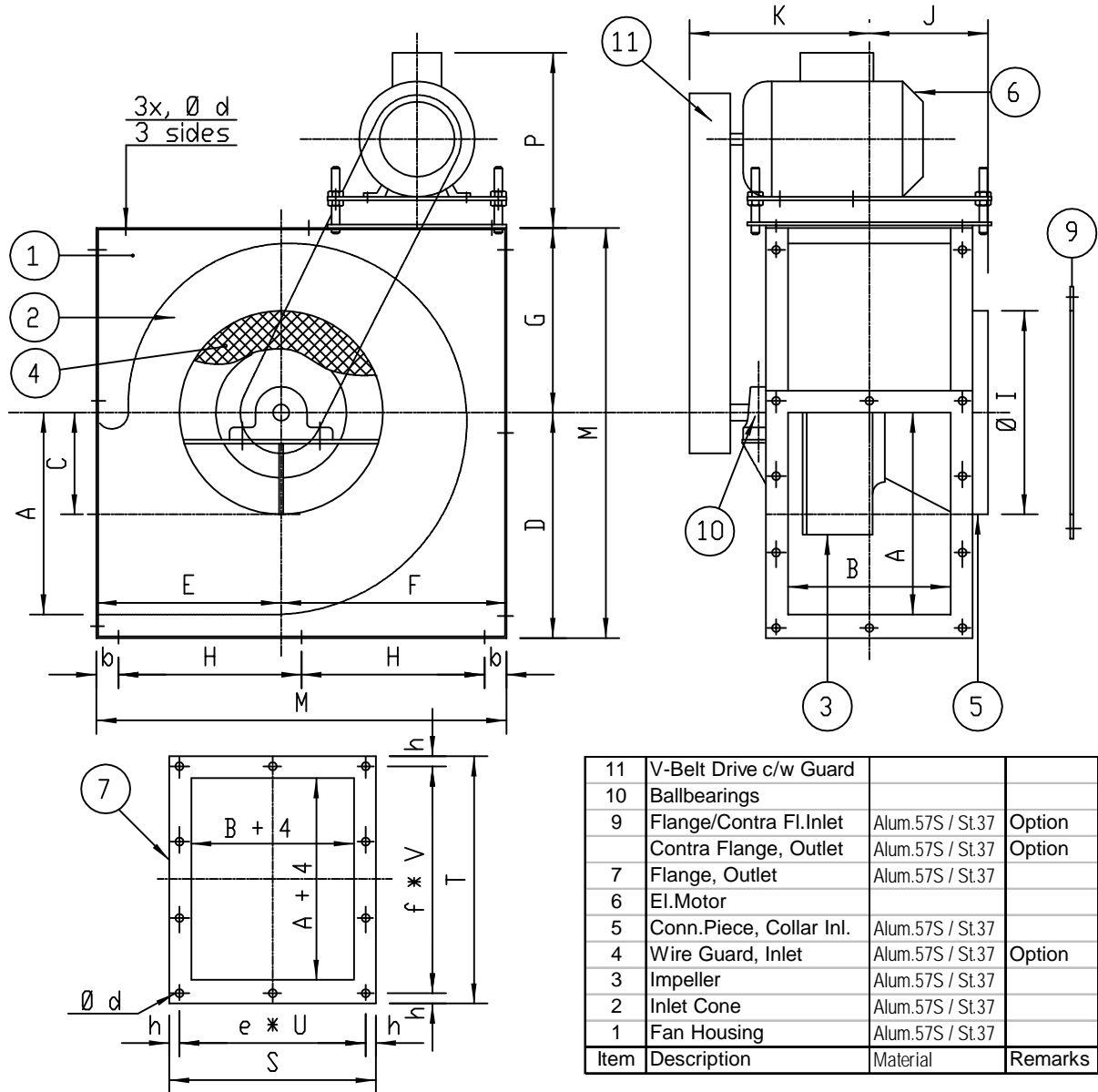
LSV - B2

Low Pressure
Centrifugal Fan



LOW PRESSURE CENTRIFUGAL FAN
Belt Drive Design
Dimension Drawing

LSV - B3
Motor on
Fan Housing



Fan Size Ø l	A	B	C	D	E	F	G	H	J	K	L	M	
250	248	200	125	277	227	277	227	225	146		229	504	
315	296	230	150	327	272	307	252	262.5	161		258	579	
400	405	298	200	433	353	413	333	350	197		334	766	
500	494	384	250	533	403	543	413	440	250		420	946	
600	600	460	300	633	503	623	493	530	288		496	1126	
	b	c	d	e	f	h	U	V	S	T	O	P	Q
250	27	12,5	10	2	3	12,5	114,5	92,5	254	304			
315	27	12,5	10	2	3	12,5	129	108,5	284	350			
400	33	15	12	2	4	15	167	110	364	470			
500	33	15	12	3	4	15	140	132,5	450	560			
600	33	15	12	3	4	15	165,3	159	526	666			

Date : 12/12-94

4-1135-m

Drawn : M.Berge

N Y B O R G A S

N-6230 SYKKYLVEN - NORWAY

Tlf: +47 70 25 40 80 - Fax +47 70 25 29 08 - NO 952 783 297 MVA

E-MAIL: office@nyborgfan.com - WEB: www.nyborgfan.com

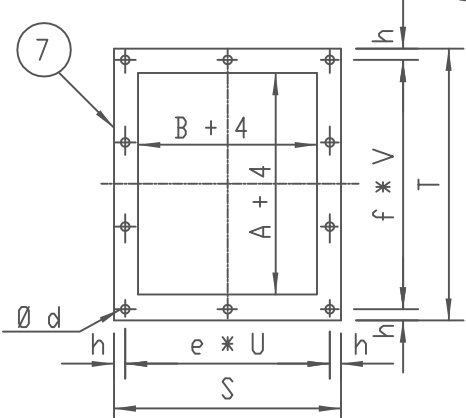
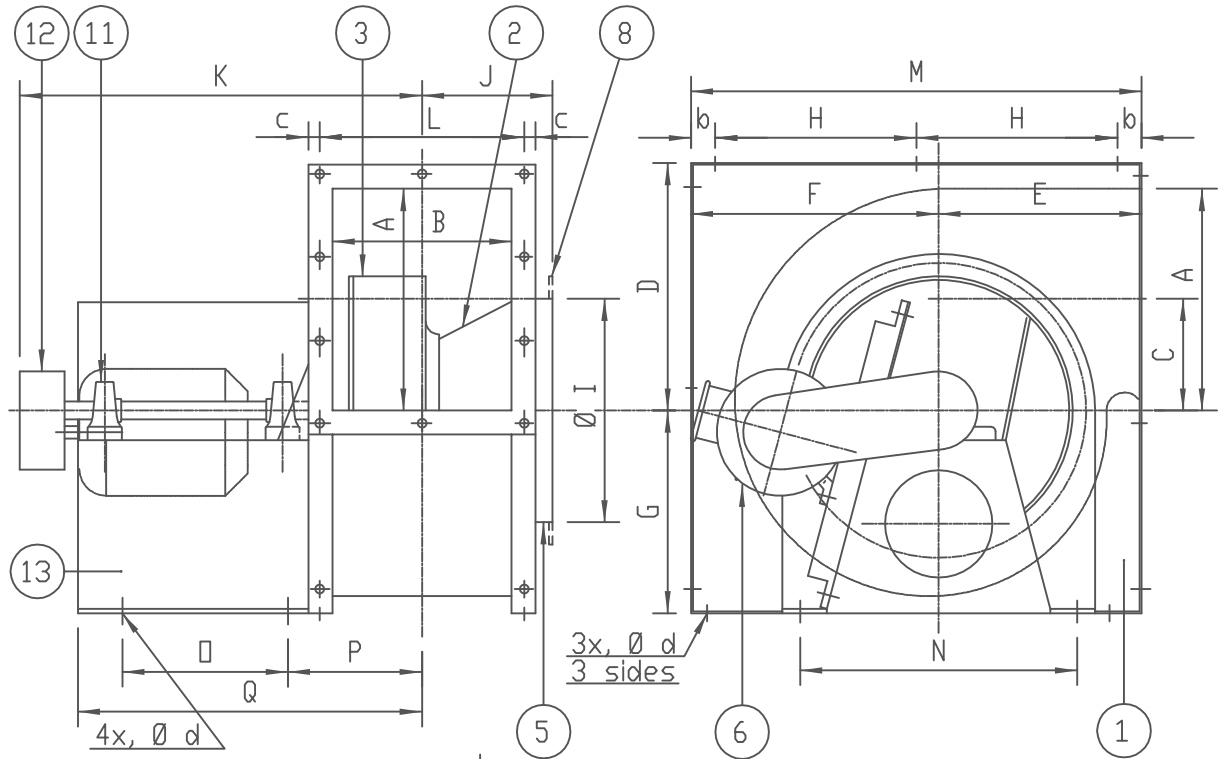
LSV - B3

Low Pressure
Centrifugal Fan



LOW PRESSURE CENTRIFUGAL FAN
Belt Drive Design
Dimension Drawing

LSV - B3
Motor-/ Bearing
Pedestal



13	Motor/Bearing Pedestal	St.37	
12	V-Belt Drive c/w Guard		
11	Ballbearings		
	Contra Flange, Inlet	Alum.57S / St.37	Option
	Contra Flange, Outlet	Alum.57S / St.37	Option
8	Flange, Inlet	Alum.57S / St.37	Option
7	Flange, Outlet	Alum.57S / St.37	
6	El. Motor		
5	Conn. Piece, Collar Inl.	Alum.57S / St.37	
4	Wire Guard, Inlet	Alum.57S / St.37	Option
3	Impeller	Alum.57S / St.37	
2	Inlet Cone	Alum.57S / St.37	
1	Fan Housing	Alum.57S / St.37	
Item	Description	Material	Remarks

Fan Size Ø I	A	B	C	D	E	F	G	H	J	K	L	M		
250	248	200	125	277	227	277	227	225	146		229	504		
315	296	230	150	327	272	307	252	262,5	161		258	579		
400	405	298	200	433	353	413	333	350	197		334	766		
500	494	384	250	533	403	543	413	440	250		420	946		
600	600	460	300	633	503	623	493	530	288		496	1126		
	b	c	d	e	f	h	U	V	S	T	O	P	Q	
250	27	12,5	10	2	3	12,5	114,5	92,5	254	304				
315	27	12,5	10	2	3	12,5	129	108,5	284	350				
400	33	15	12	2	4	15	167	110	364	470				
500	33	15	12	3	4	15	140	132,5	450	560				
600	33	15	12	3	4	15	165,3	159	526	666				

Date : 09/12-94
4-1134-m
Drawn R.Berge

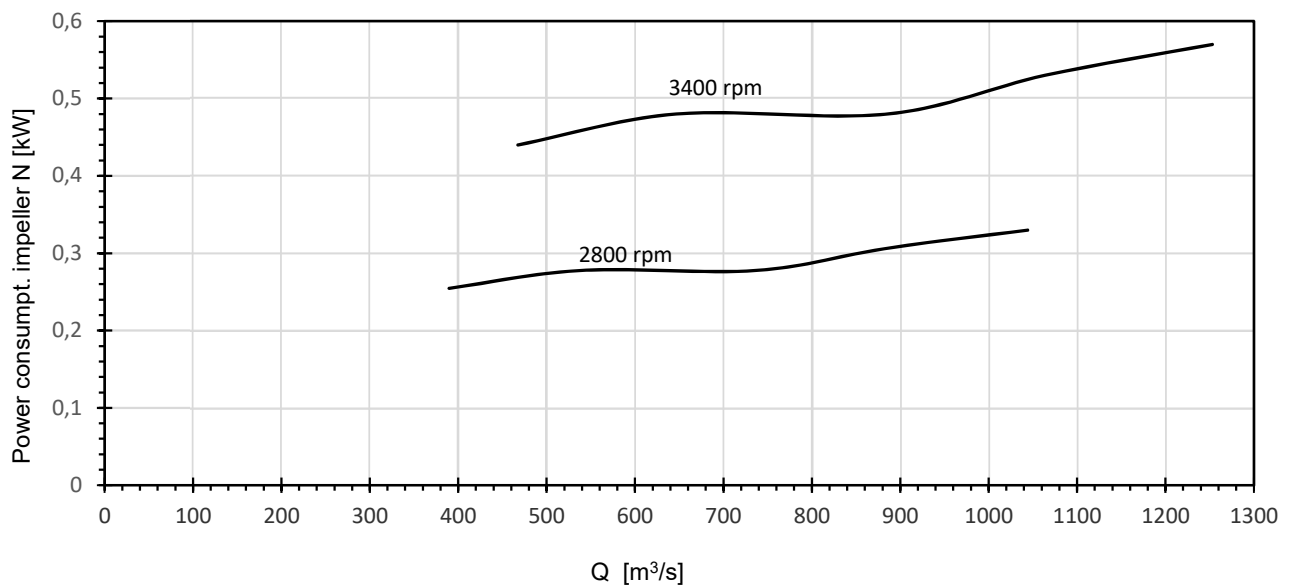
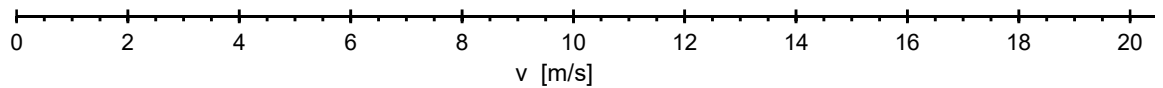
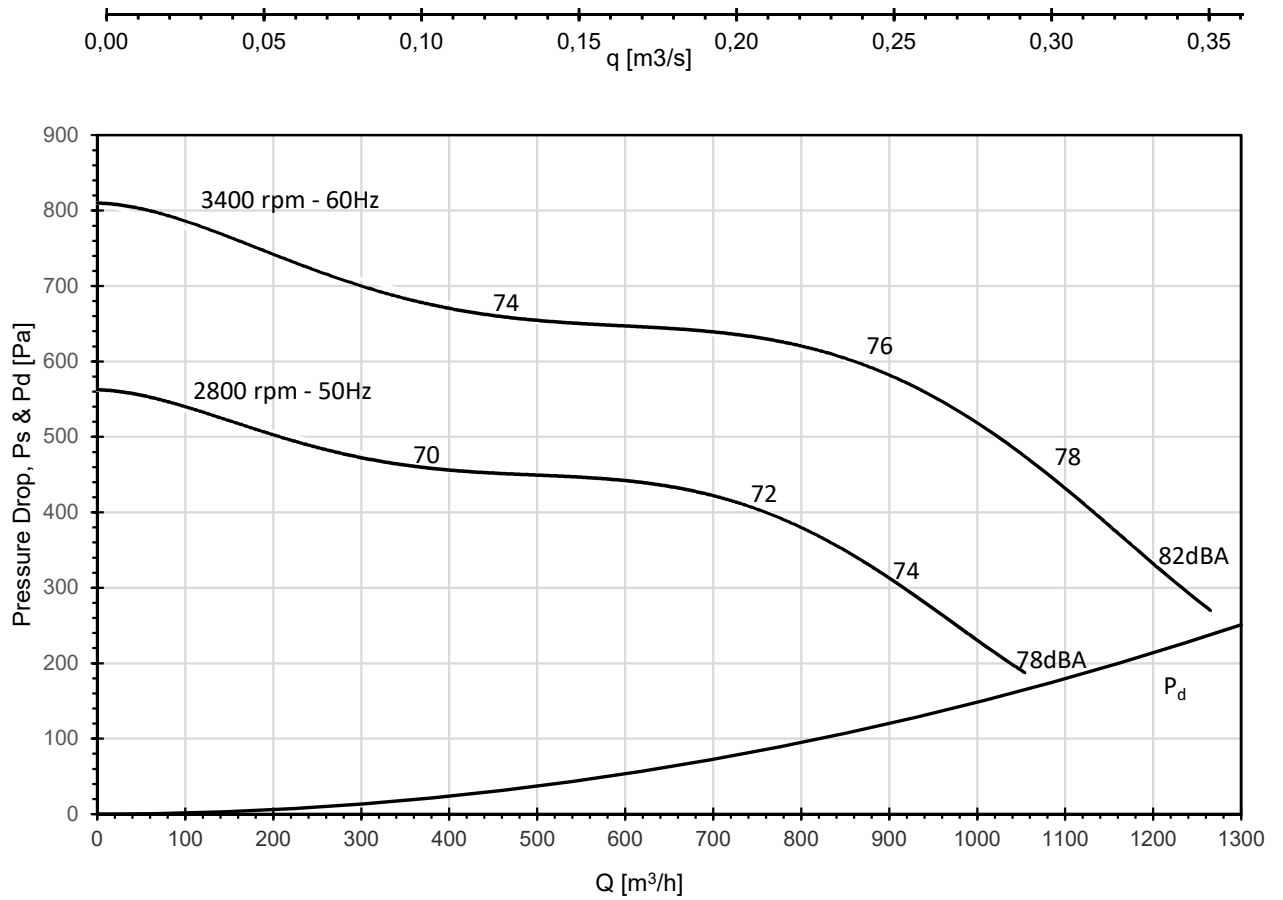
NYBORG A S
N-6230 SYKKYLVEN - NORWAY
Tlf: +47 70 25 40 80 - Fax +47 70 25 29 08 - NO 952 783 297 MVA
E-MAIL: office@nyborgfan.com - WEB: www.nyborgfan.com

LSV - B3
Low Pressure
Centrifugal Fan



NYBORG LOW PRESS. CENTR. FAN PERFORMANCE DATA

LSV 150
Imp:
F24x153x100



NYBORG AS

N-6230 Sykkylven, Norway

TEL +47 7025 4080 - FAX +47 7025 2908

office@nyborgfan.com - www.nyborgfan.com

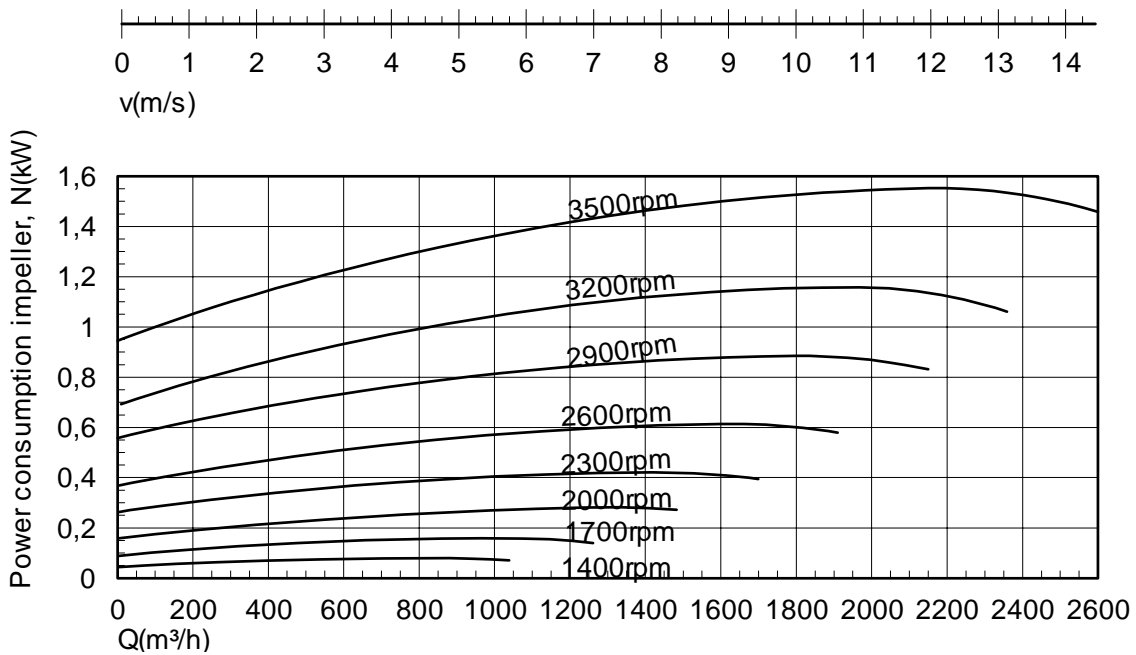
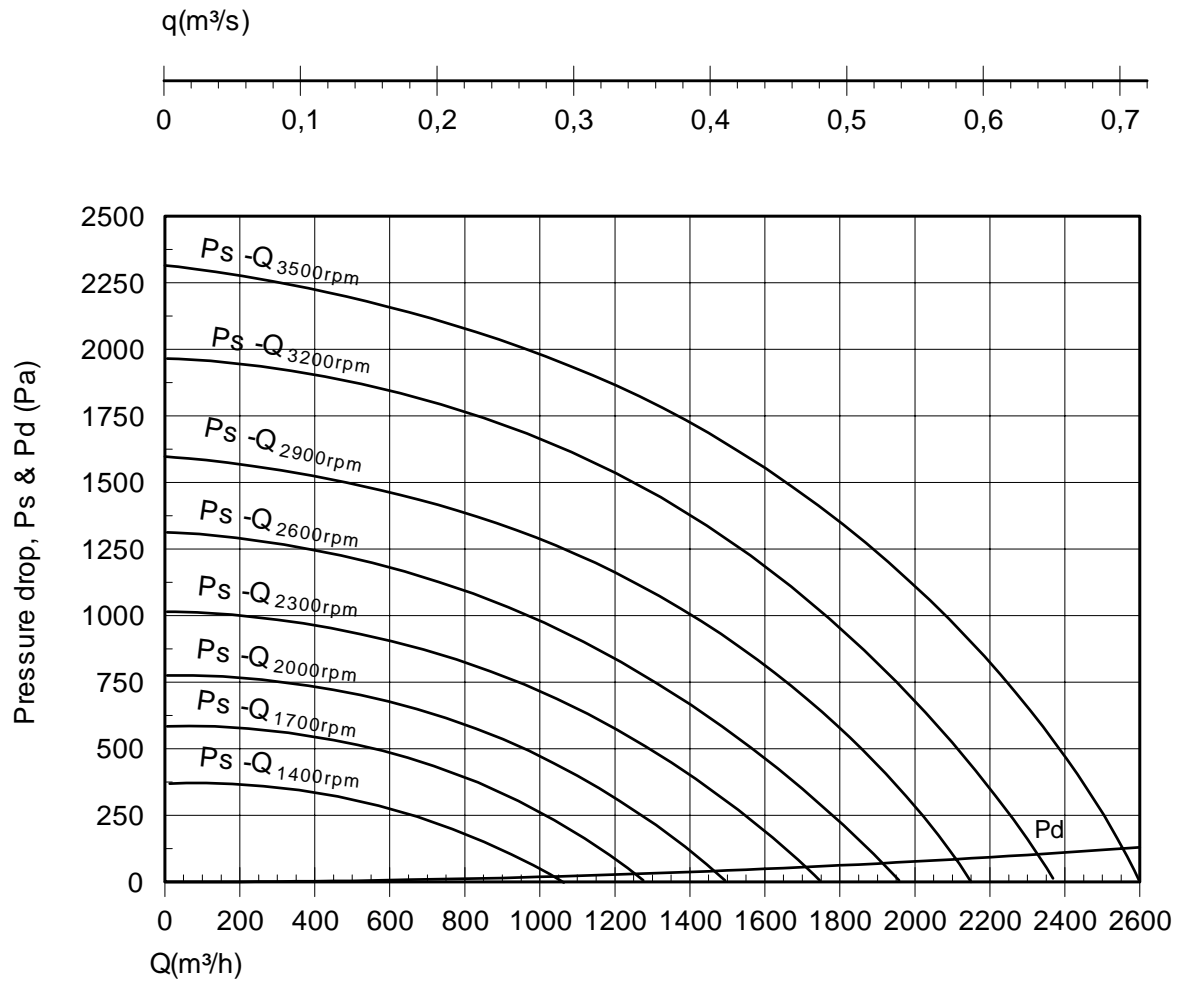
nybmw_xls_14-08

LSV 150



LOW PRESSURE CENTR. FAN PERFORMANCE DATA

LSV 250 B
Imp: B12x300x80



N Y B O R G A S

Nyborg2.prs/24

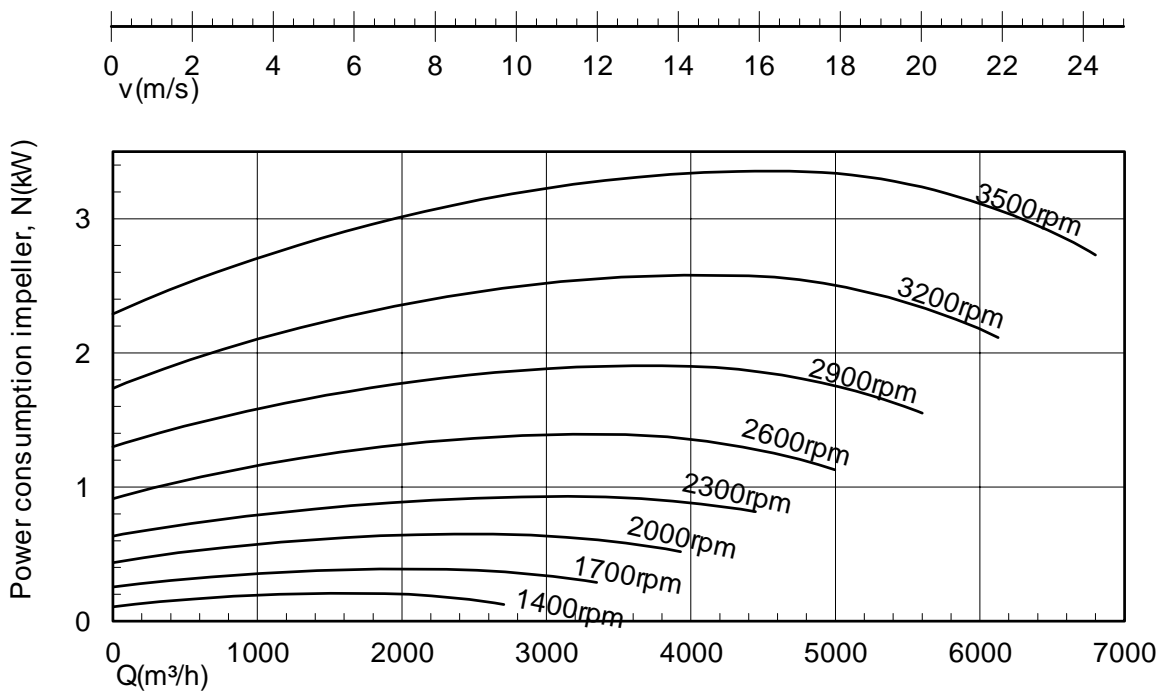
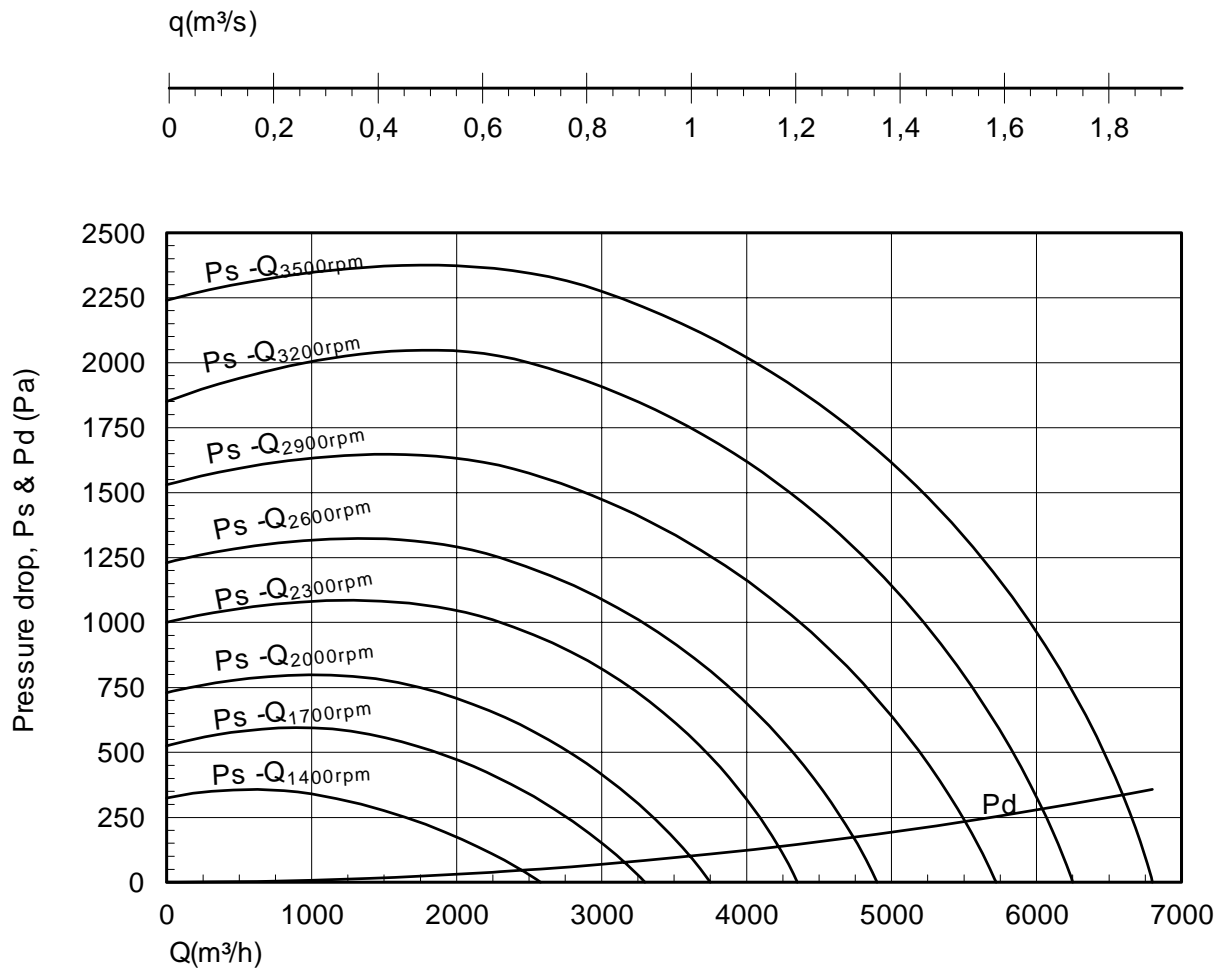
N-6230 SYKKYLVEN, NORWAY
TEL +47 70 25 40 80 - FAX +47 70 25 29 08
office@nyborgfan.com - www.nyborgfan.com

LSV 250 B



LOW PRESSURE CENTR. FAN PERFORMANCE DATA

LSV 315 B
Imp: B12x350x100



NYBORG AS

Nyborg2.prs/35

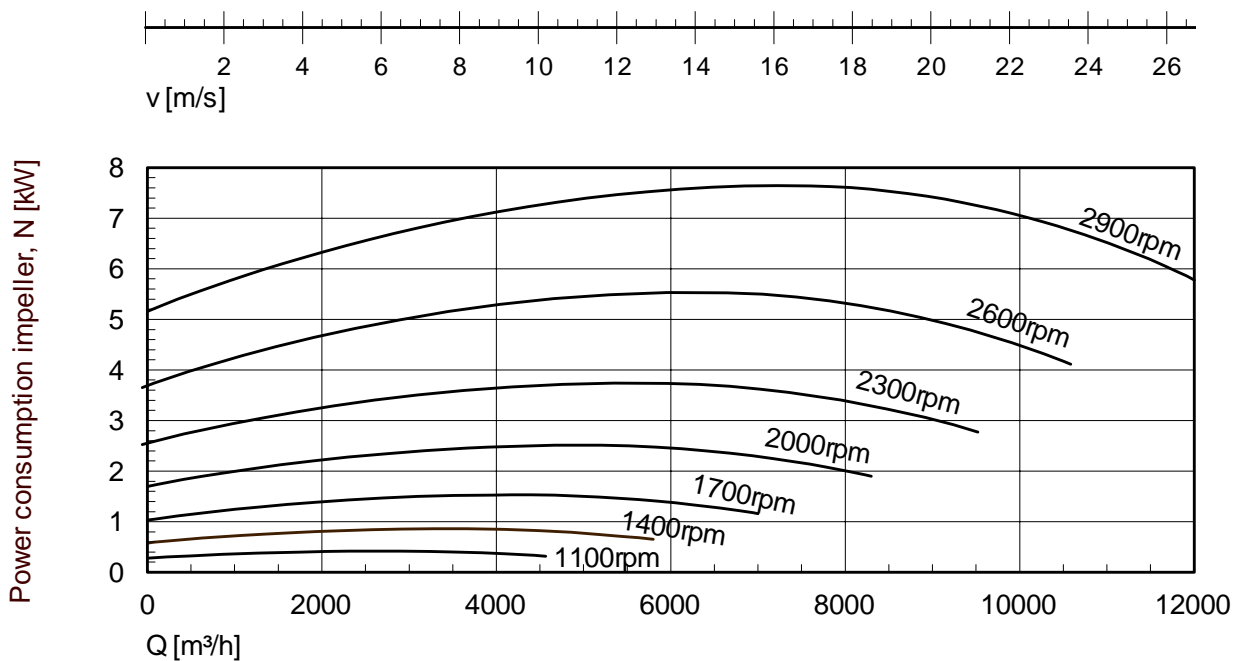
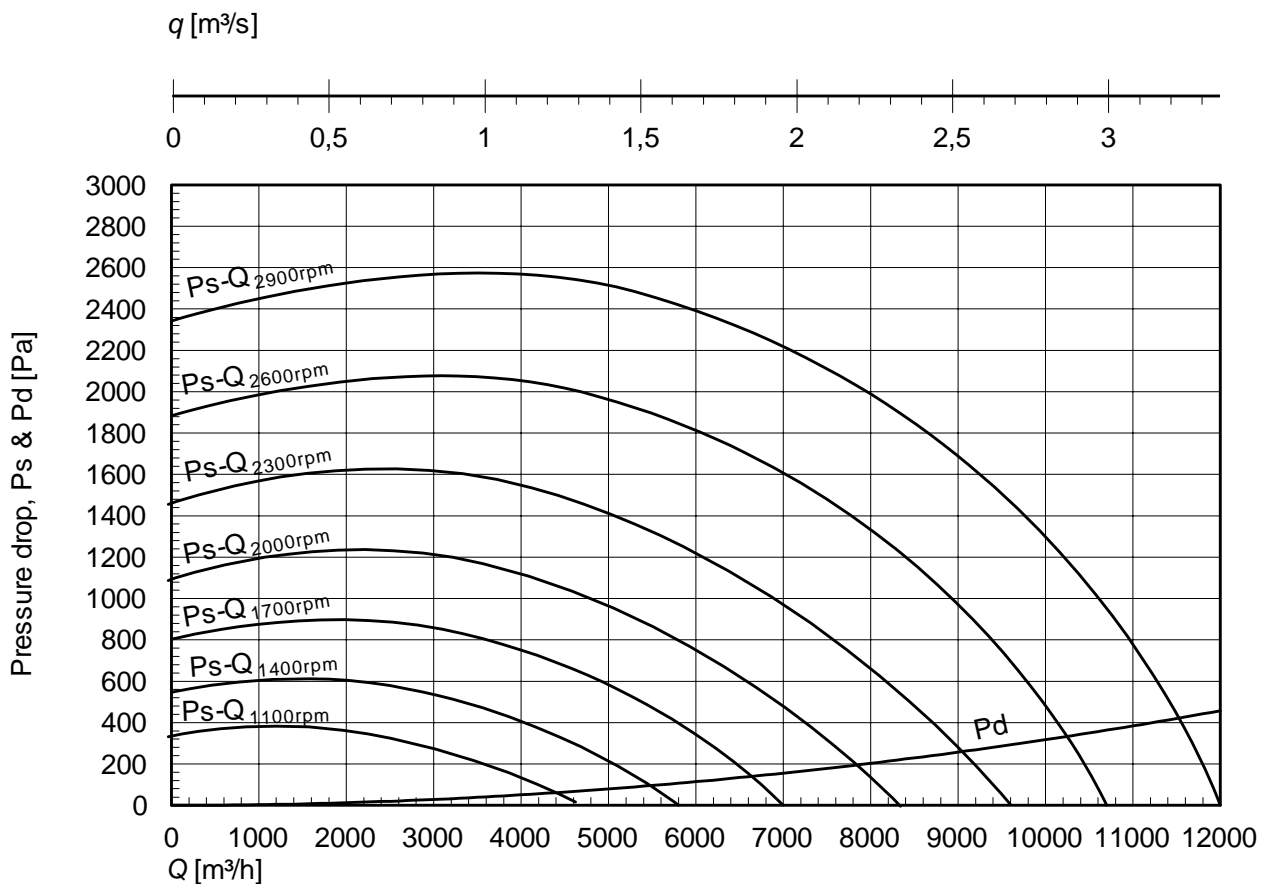
N-6230 SYKKYLVEN, NORWAY
TEL +47 70 25 40 80 - FAX +47 70 25 29 08
office@nyborgfan.com - www.nyborgfan.com

LSV 315 B



LOW PRESSURE CENTR. FAN PERFORMANCE DATA

LSV 400 B
Imp: B7x450x100



N Y B O R G A S

Nyborg10.prs/8

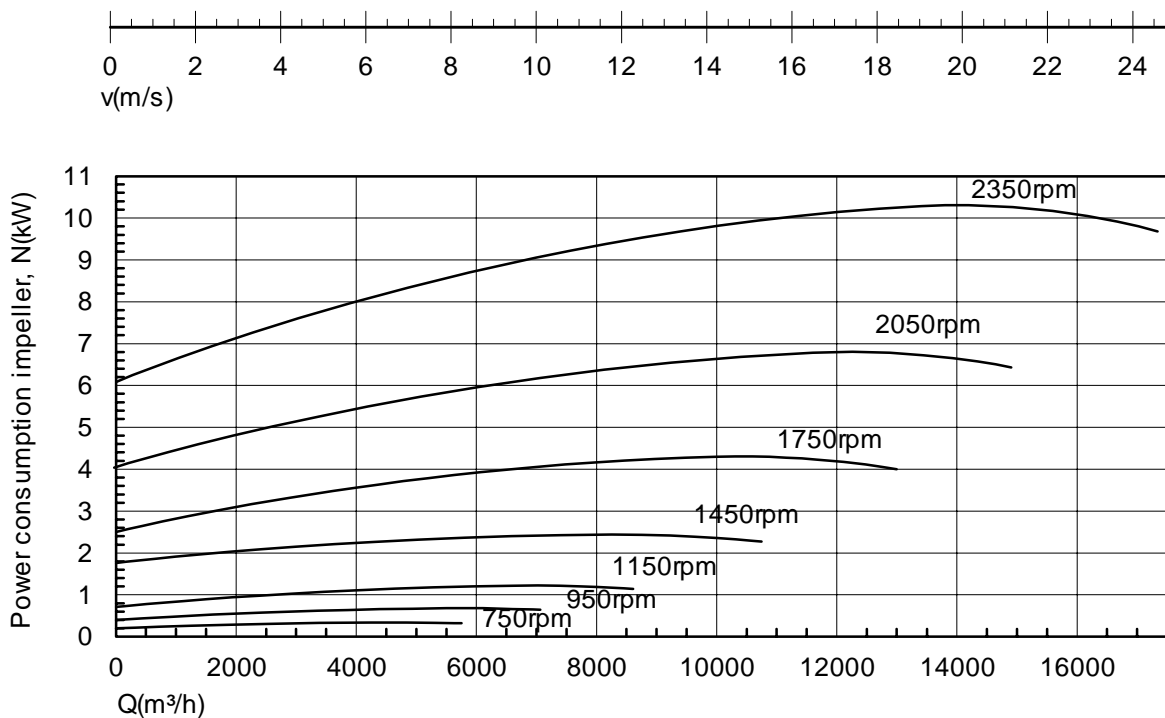
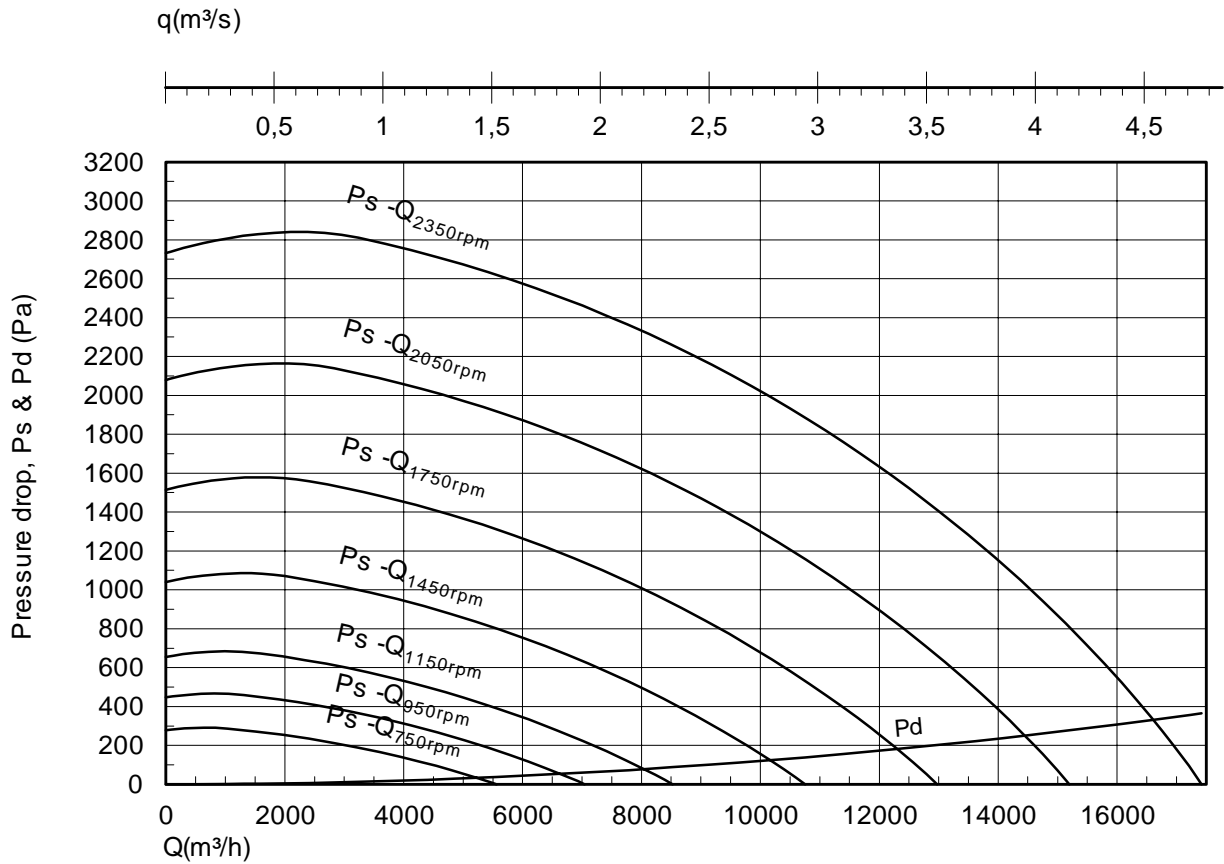
N-6230 SYKKYLVEN, NORWAY
TEL +47 70 25 40 80 - FAX +47 70 25 29 08
E-mail : office@nyborgfan.com - www.nyborgfan.com

LSV 400 B



HIGH PRESSURE CENTR. FAN PERFORMANCE DATA

LSV 500 B
Imp: B7x550x125



N Y B O R G A S

Nyborg02-22

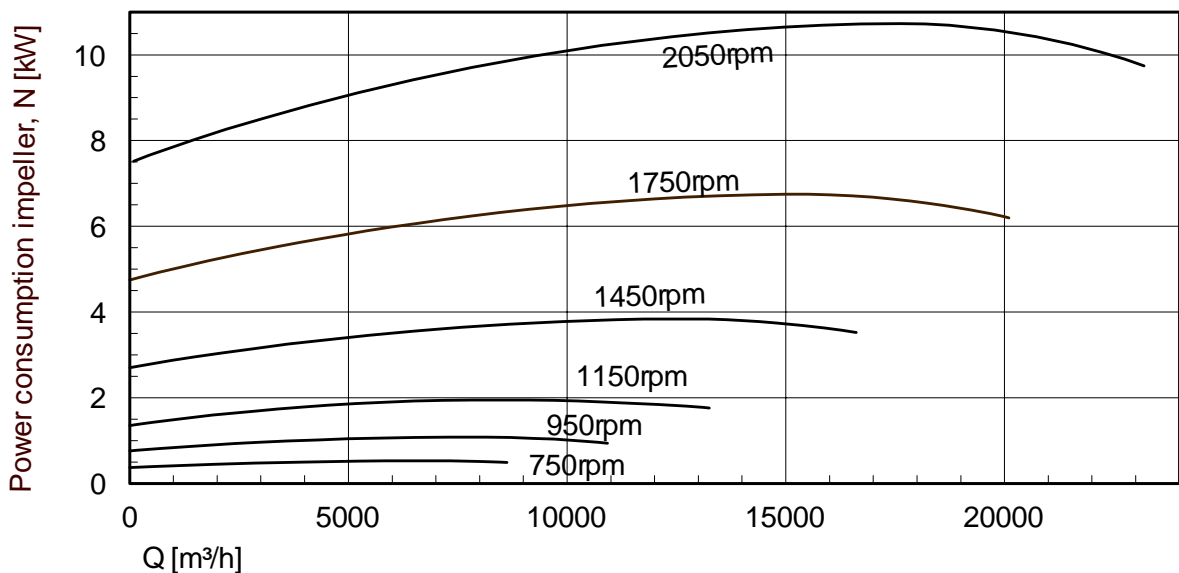
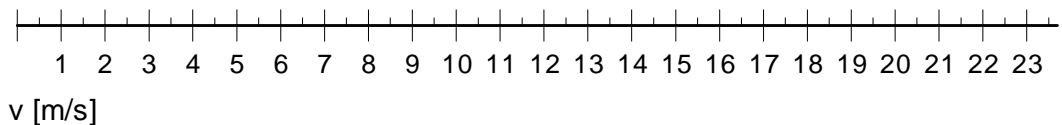
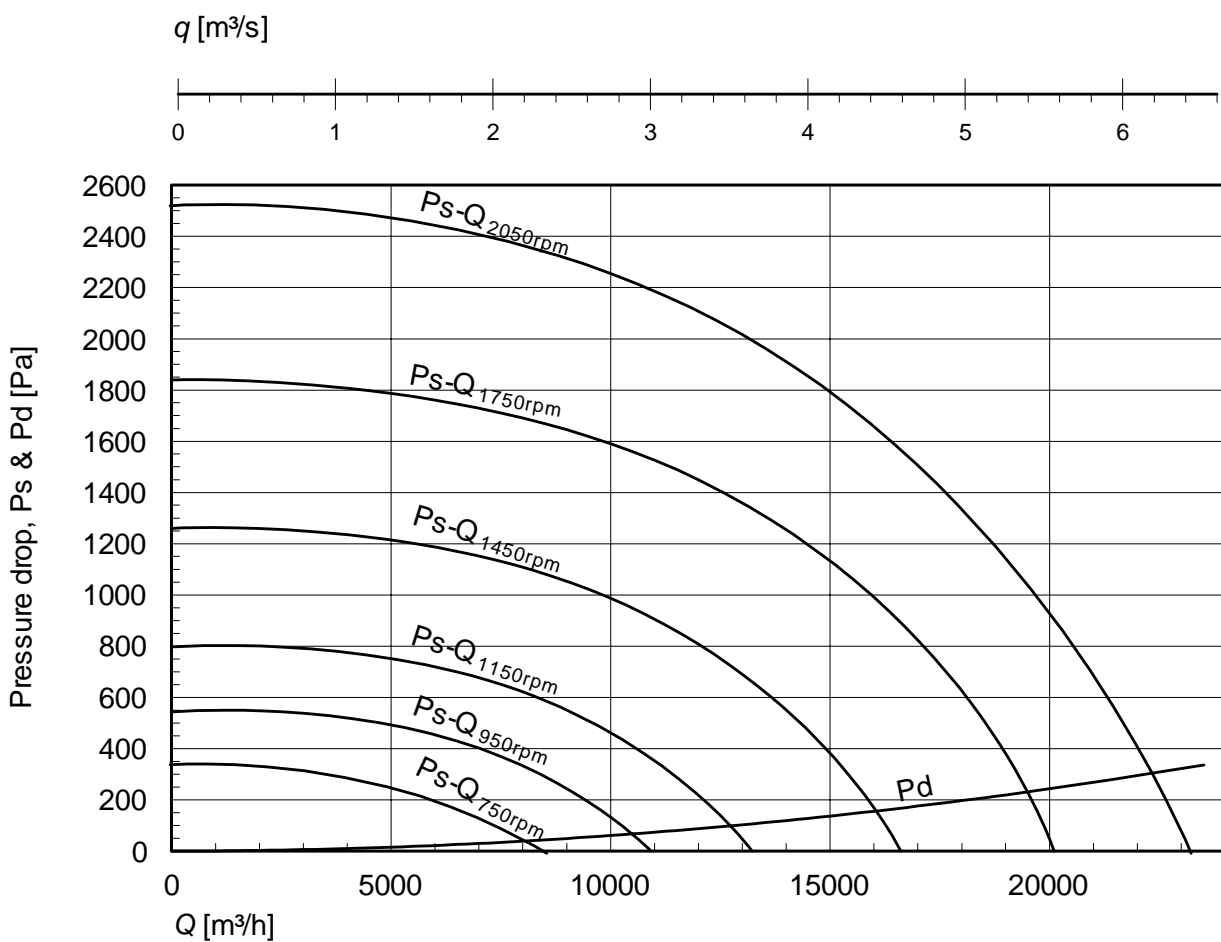
N-6230 SYKKYLVEN, NORWAY
TEL +47 70 25 40 80 - FAX +47 70 25 29 08
office@nyborgfan.com - www.nyborgfan.com

LSV 500 B



LOW PRESSURE CENTR. FAN PERFORMANCE DATA

LSV 600 B
Imp: B7x650x140



N Y B O R G A S

Nyborg10.prs/9

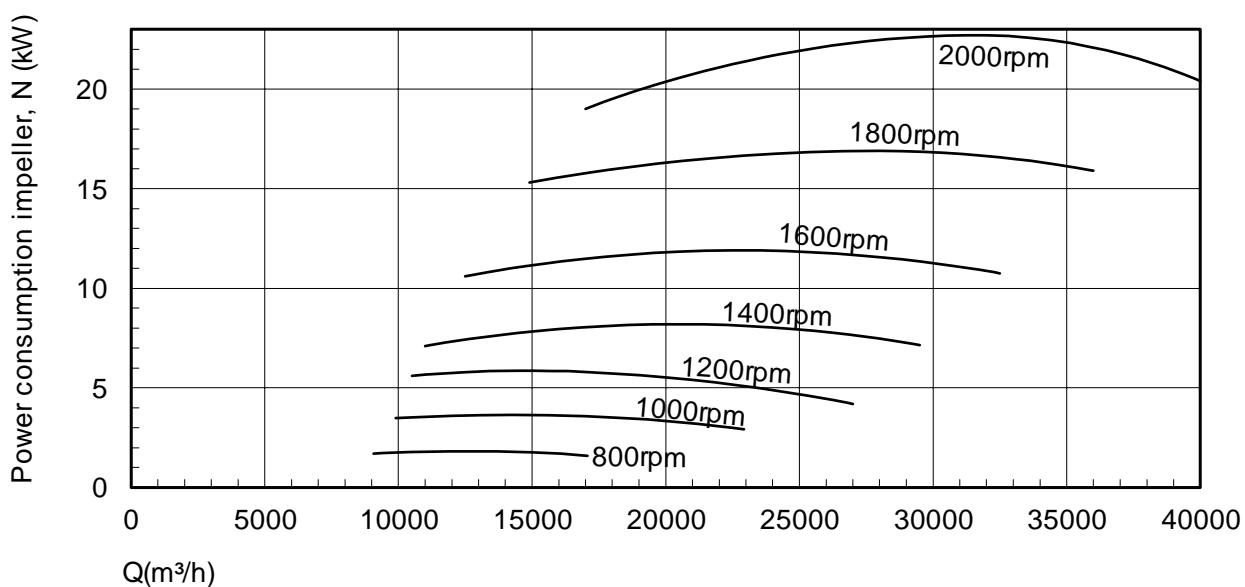
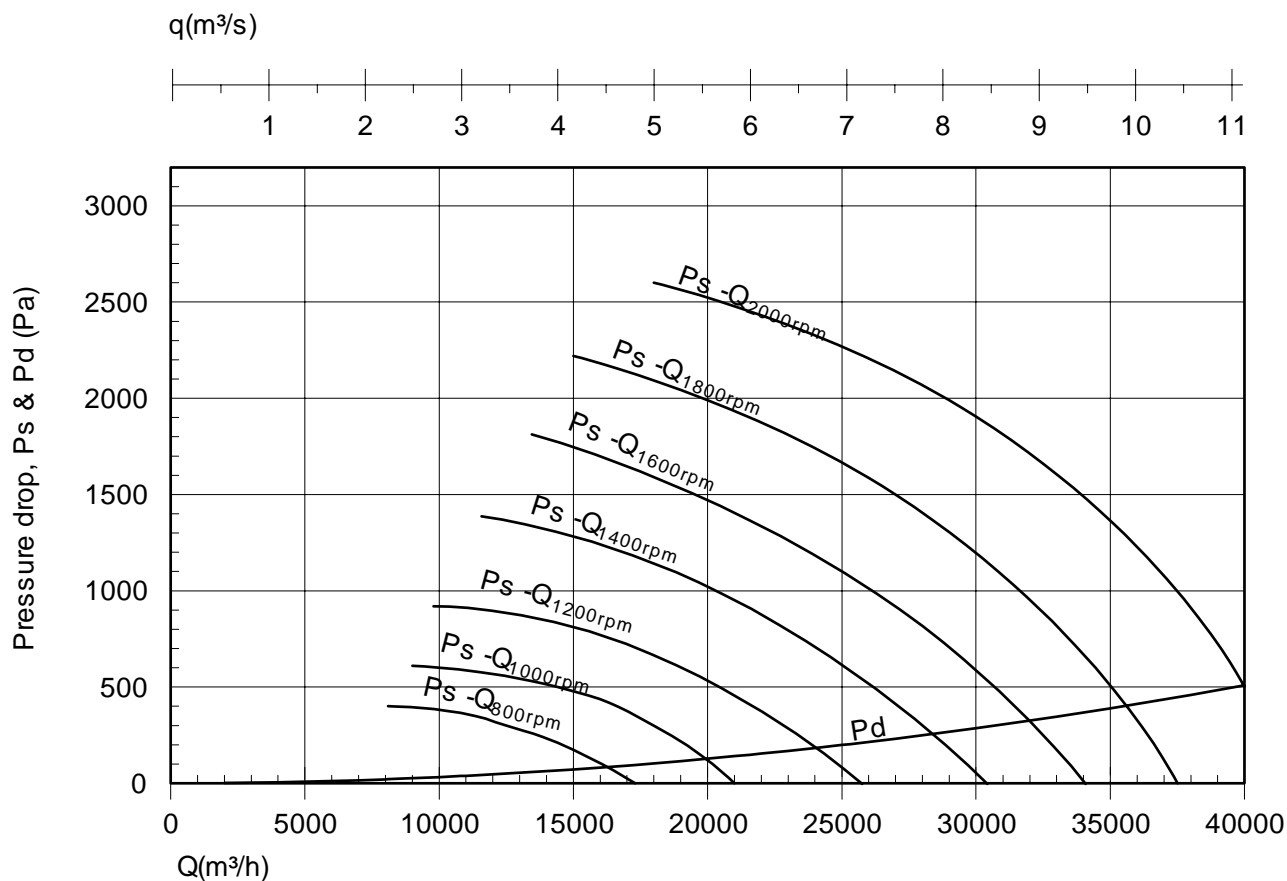
N-6230 SYKKYLVEN, NORWAY
TEL +47 70 25 40 80 - FAX +47 70 25 29 08
office@nyborgfan.com - www.nyborgfan.com

LSV 600 B



LOW PRESSURE CENTR. FAN PERFORMANCE DATA

LSV 700 B
Imp: B12x700x240



N Y B O R G A S

Nyborg8.prs/1

N-6230 SYKKYLVEN, NORWAY
TEL +47 70 25 40 80 - FAX +47 70 25 29 08
office@nyborgfan.com - www.nyborgfan.com

LSV 700 B

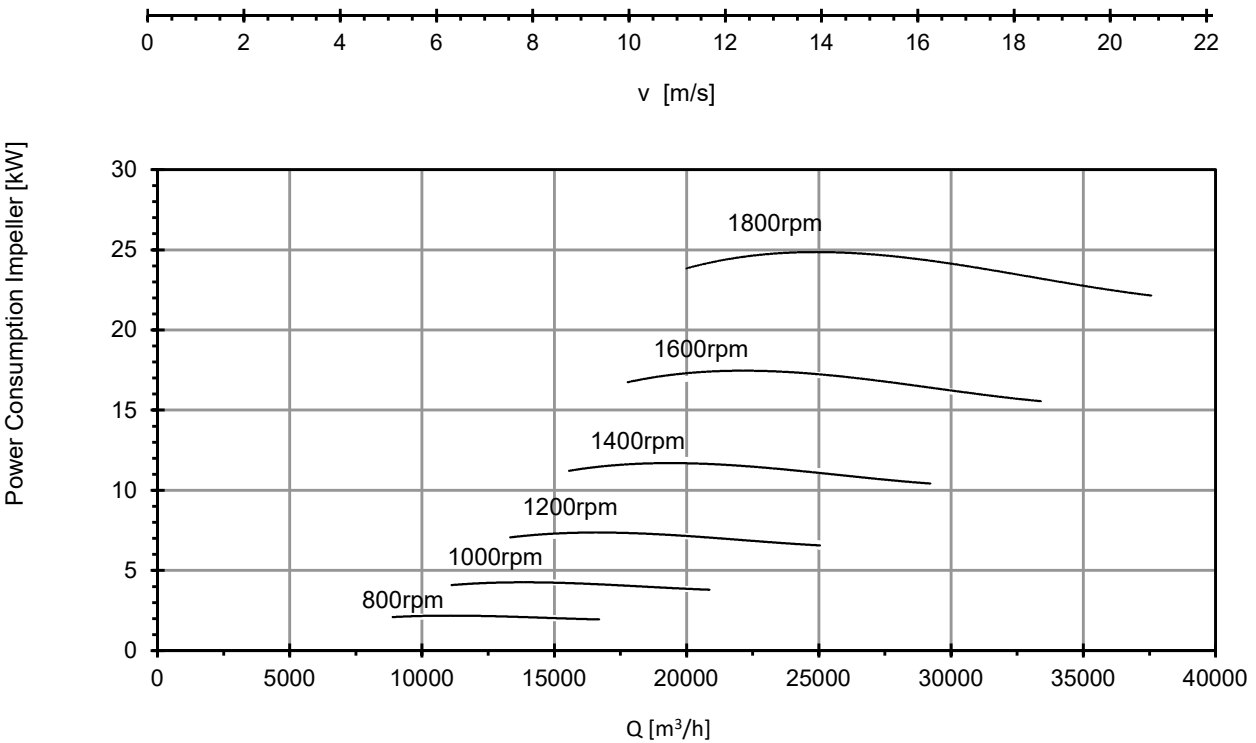
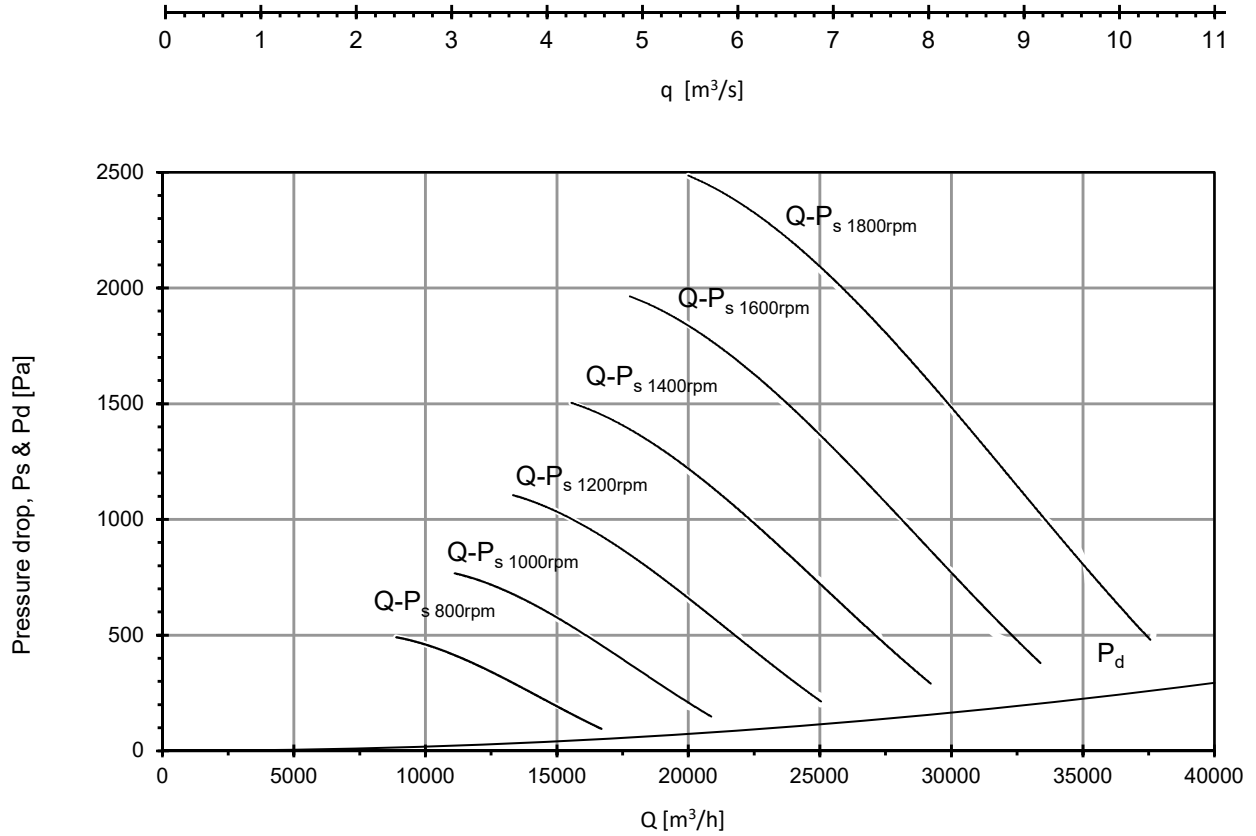


LOW PRESSURE CENTRIFUGAL FAN PERFORMANCE DATA

at 20°C, $\rho=1,2\text{kg/m}^3$

LSV 800 B

Imp: B12x800x225



NYBORG AS

nybmw_xls_14-07

N-6230 Sykkylven, Norway
TEL +47 7025 4080 - FAX +47 7025 2908
office@nyborgfan.com - www.nyborgfan.com

LSV 800 B

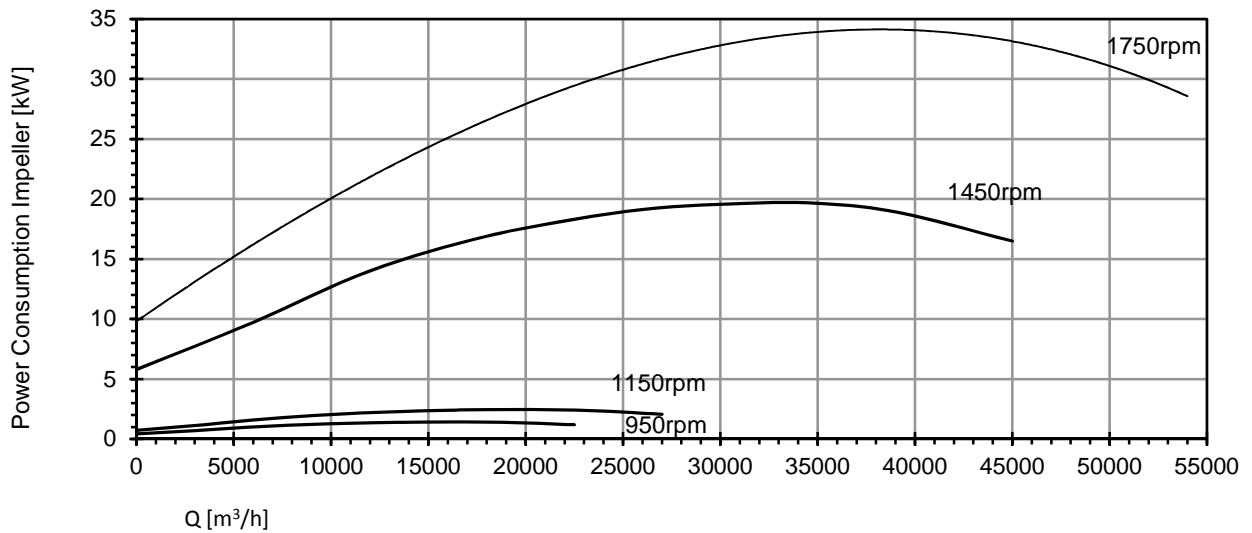
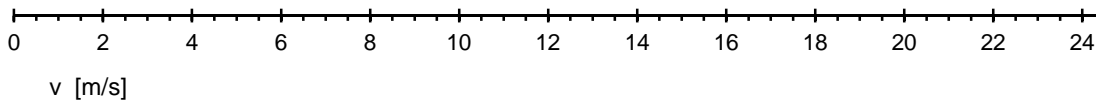
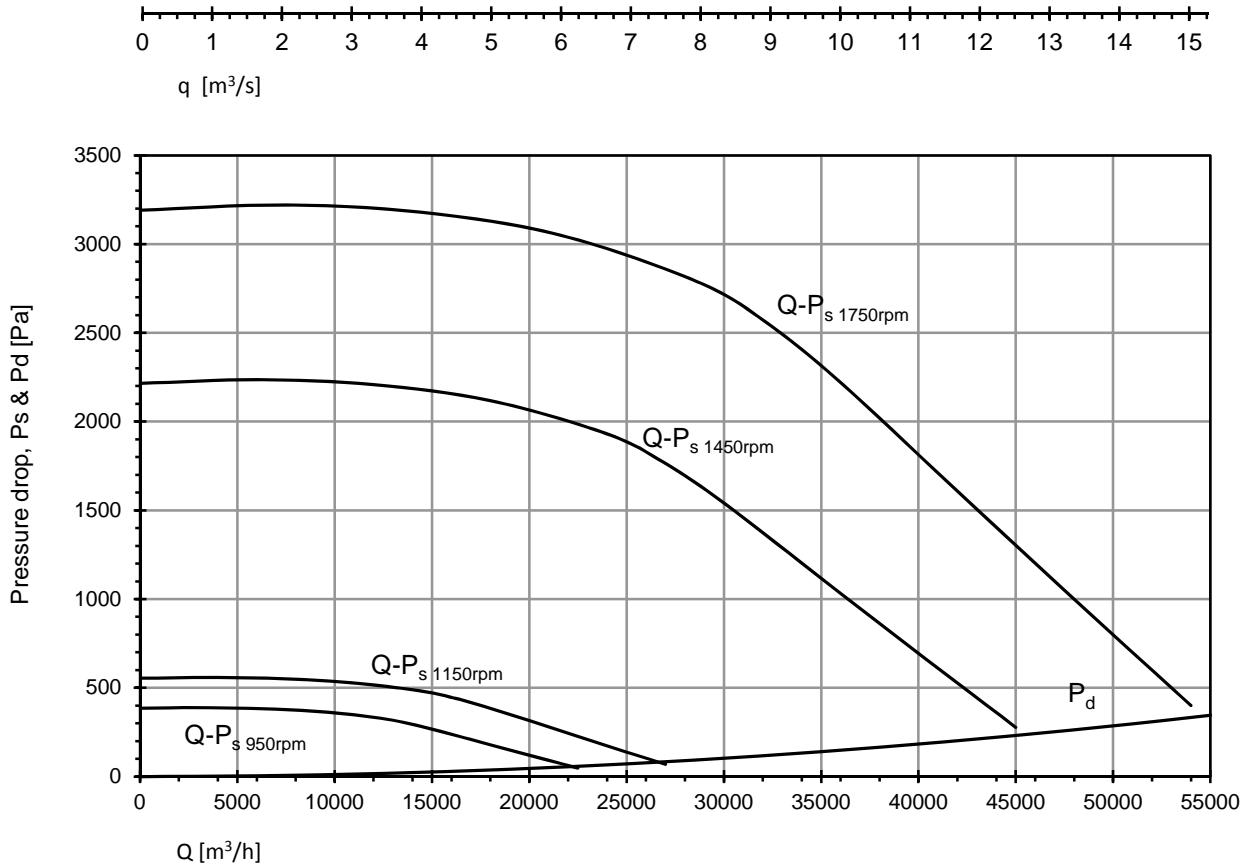


LOW PRESSURE CENTRIFUGAL FAN PERFORMANCE DATA

at 20°C, $\rho=1,2\text{kg/m}^3$

LSV 900 B

Imp: B12x850x220



NYBORG AS

N-6230 Sykkylven, Norway

TEL +47 7025 4080 - FAX +47 7025 2908

office@nyborgfan.com - www.nyborgfan.com

nybmw_xls_14-03

LSV 900 B

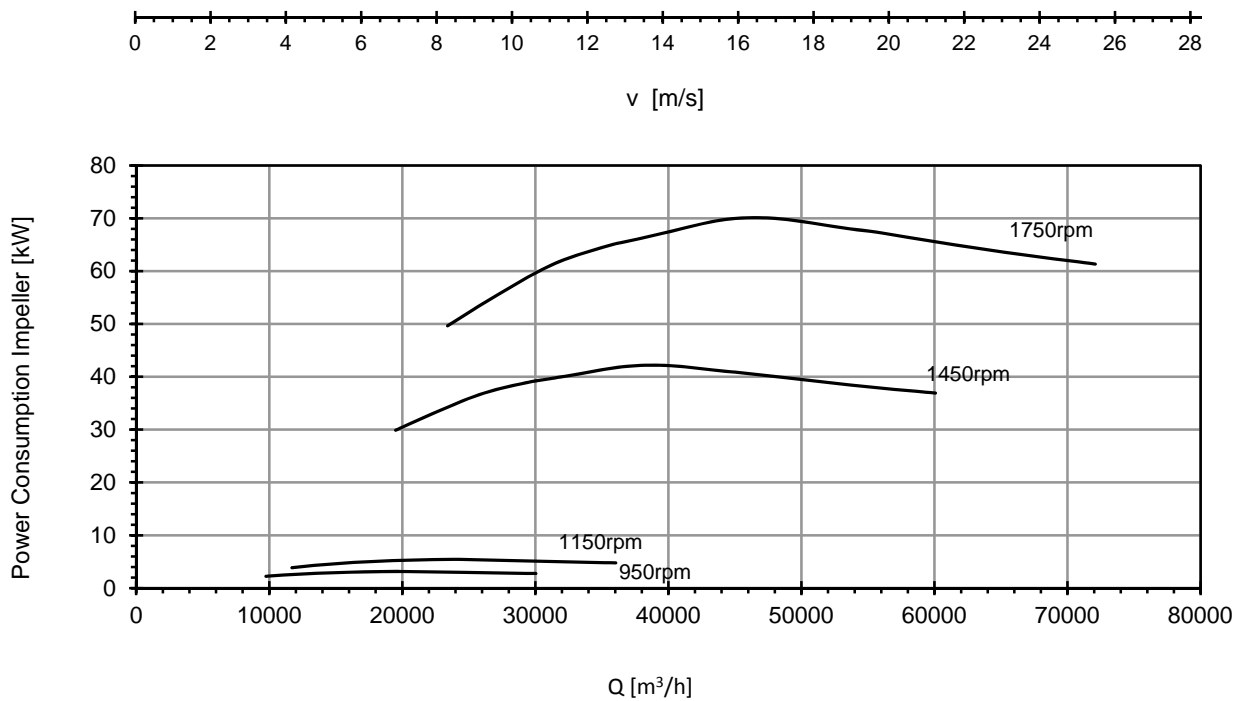
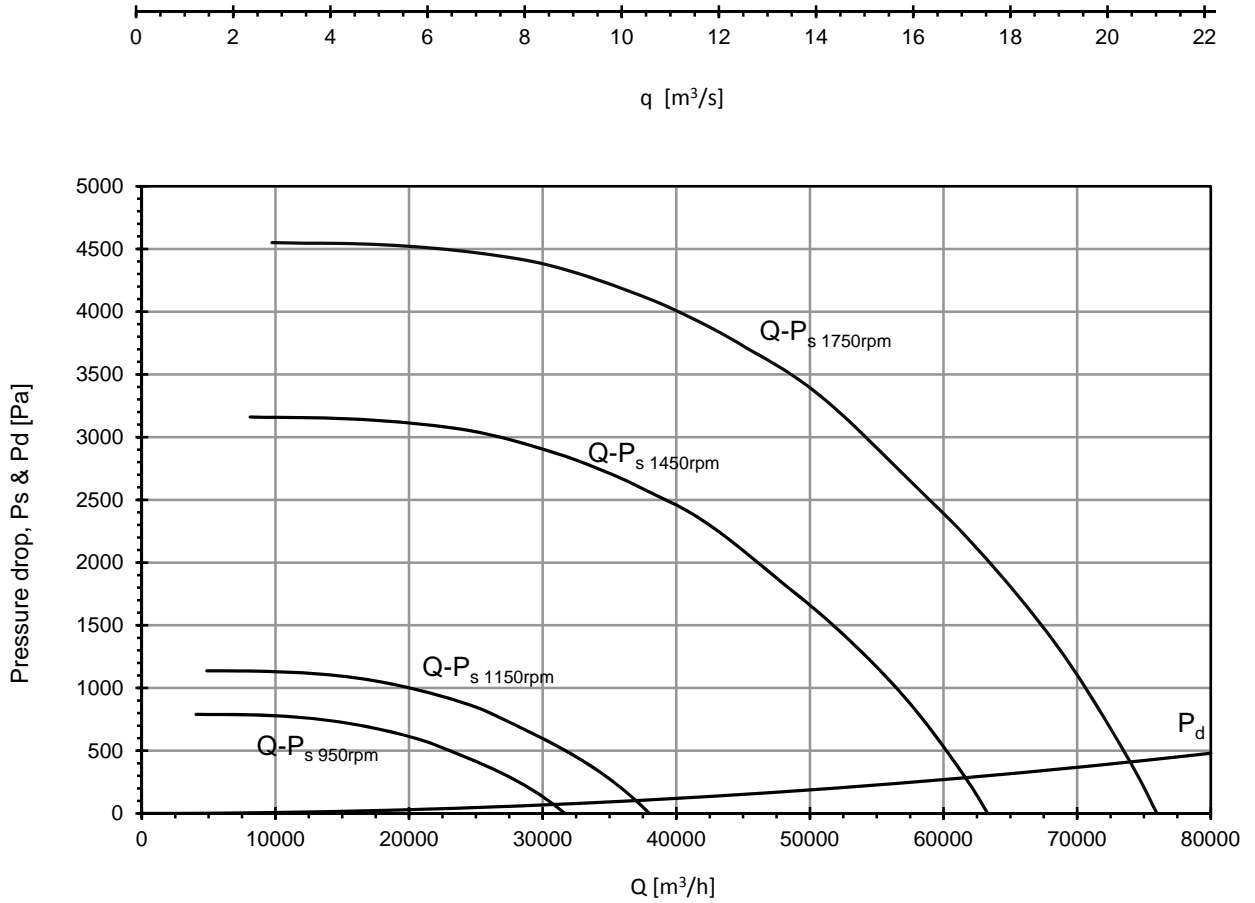


LOW PRESSURE CENTRIFUGAL FAN PERFORMANCE DATA

at 20°C, $\rho=1,2\text{kg/m}^3$

LSV 1000 B1

Imp: B12x1000x220



N Y B O R G A S

N-6230 Sykkylven, Norway

TEL +47 7025 4080 - FAX +47 7025 2908

office@nyborgfan.com - www.nyborgfan.com

nybmw_xls_14-04

LSV 1000 B1