



DUCT FAN NYBORG Y100-252-100MM CDF Y100

Description

The CDF is an in-line centrifugal duct fan with high capacity and excellent reliability. The straight through radial fan is compact and very easy to install. It can cope with high pressure and long duct runs, whilst still operating at acceptable noise levels.

The CDF range of fans have casings manufactured from galvanized steel and are moisture resistant. They are approved for installation in humid or damp environments being rated IP44 when installed in a duct system.

The fan speed can be controlled by voltage variation regulators. Several fans can be connected to the same controller providing the total rating of the controller is not exceeded.

The motors are an external rotor type asynchrony motor. They have maintenance free sealed ball bearings and are protected from over heating by thermo contacts.

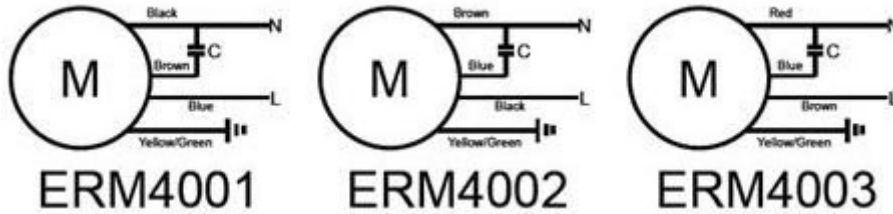


Technical data

Model	CDF-Y100
Speed R.P.M	2420
Input W	79
Current A	0.35
Capacitor μ F	2 μ F /450V
Voltage	230V
Frequency	60Hz
Transport AIR	+50 \square
Wiring Diagram	ERM4001
A-weighted Sound Press level	-
Db(A) @ 1 m	57
Db(A) @ 2 m	51
Db(A) @ 3 m	47

Enclosure class, motor	44IP
Insulation class, motor	F
Weight	2.8kg
Duct connection	100mm

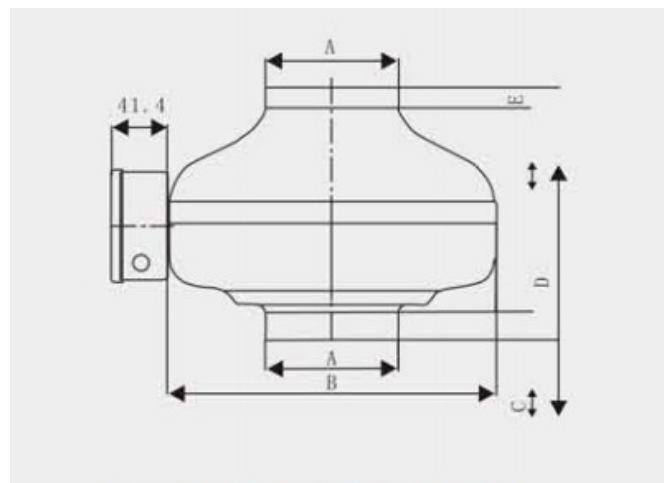
Wiring Diagram



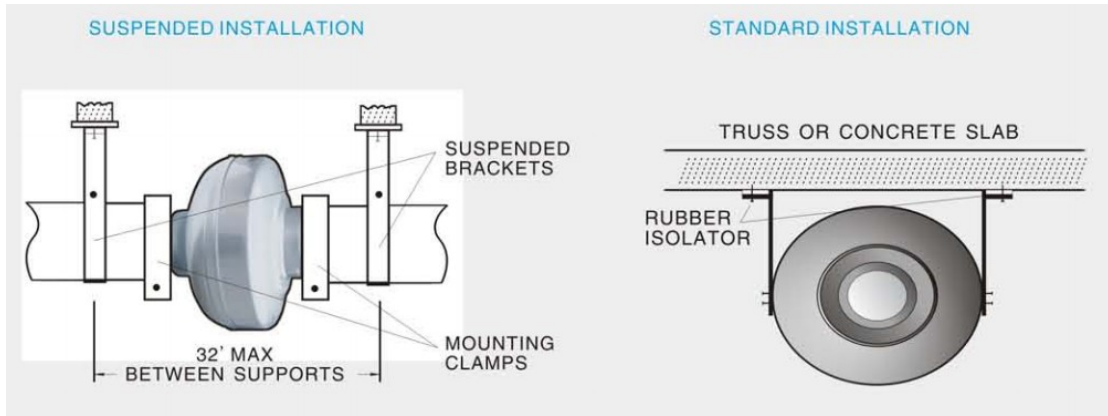
Diagrams



Dimension



Model	A	B	C	D	E	Impeller Size
CDF Y100	100	242	20	186	15	190



Nyborg Marine Equipment As

Tomrenbygget

Postboks 50

6398 Tomrefjord

NORWAY

tlf: 004797430173 - 004795246046

email: sveinung@nyborgme – per.einar@nyborgme.no

www.nyborgme.no



DUCT FAN NYBORG Y125-352-125MM CDF Y125

Description

The CDF is an in-line centrifugal duct fan with high capacity and excellent reliability. The straight through radial fan is compact and very easy to install. It can cope with high pressure and long duct runs, whilst still operating at acceptable noise levels.

The CDF range of fans have casings manufactured from galvanized steel and are moisture resistant. They are approved for installation in humid or damp environments being rated IP44 when installed in a duct system.

The fan speed can be controlled by voltage variation regulators. Several fans can be connected to the same controller providing the total rating of the controller is not exceeded.

The motors are an external rotor type asynchrony motor. They have maintenance free sealed ball bearings and are protected from over heating by thermo contacts.

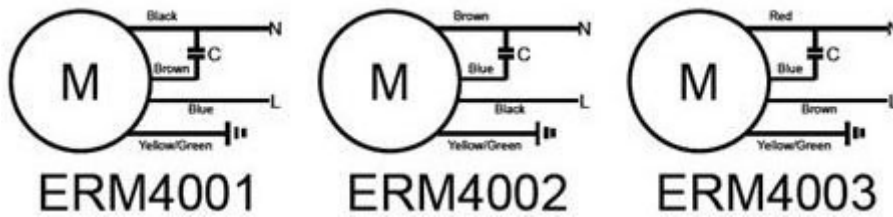


Technical data

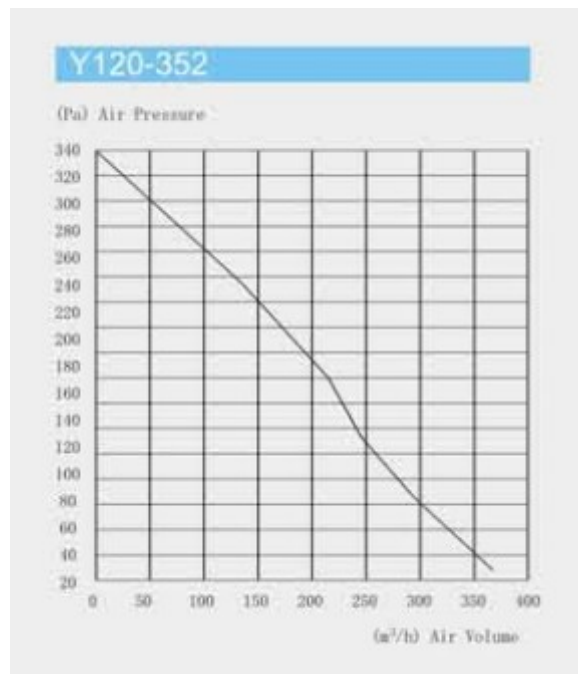
Model	CDF-Y125
Speed R.P.M	2400
Input W	94
Current A	0.42
Capacitor μ F	2 μ F /450V
Voltage	230V
Frequency	60Hz
Transport AIR	+50 \square
Wiring Diagram	ERM4001
A-weighted Sound Press level	-
Db(A) @ 1 m	55
Db(A) @ 2 m	49

Db(A) @ 3 m	45
Enclosure class, motor	44IP
Insulation class, motor	F
Weight	2.6kg
Duct connection	125mm

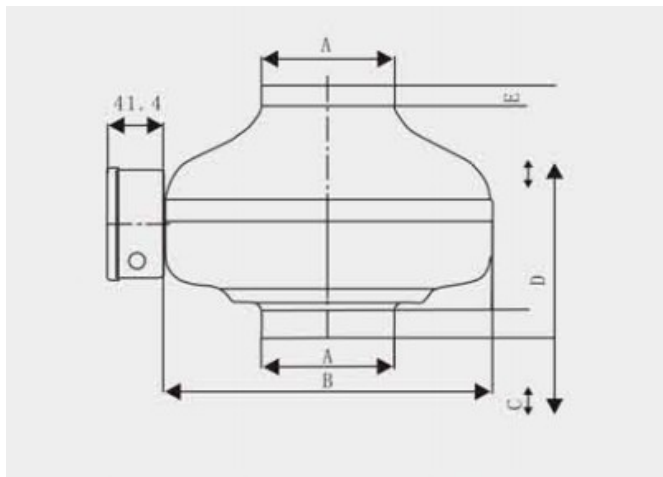
Wiring Diagram



Diagrams

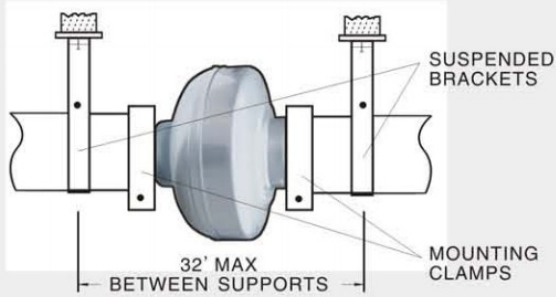


Dimension

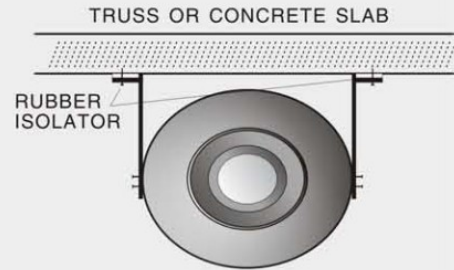


Model	A	B	C	D	E	Impeller Size
CDF Y125	125	242	25	189	22	190

SUSPENDED INSTALLATION



STANDARD INSTALLATION





DUCT FAN NYBORG Y160-452-160MM CDF Y160

Description

The CDF is an in-line centrifugal duct fan with high capacity and excellent reliability. The straight through radial fan is compact and very easy to install. It can cope with high pressure and long duct runs, whilst still operating at acceptable noise levels.

The CDF range of fans have casings manufactured from galvanized steel and are moisture resistant. They are approved for installation in humid or damp environments being rated IP44 when installed in a duct system.

The fan speed can be controlled by voltage variation regulators. Several fans can be connected to the same controller providing the total rating of the controller is not exceeded.

The motors are an external rotor type asynchrony motor. They have maintenance free sealed ball bearings and are protected from over heating by thermo contacts.

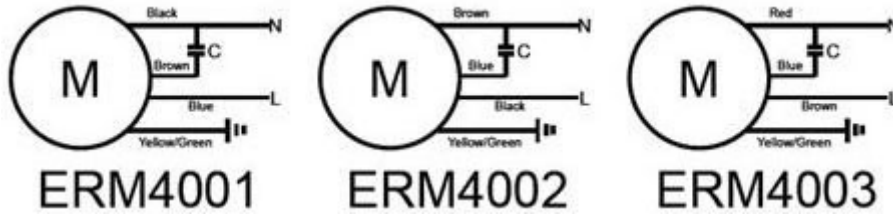


Technical data

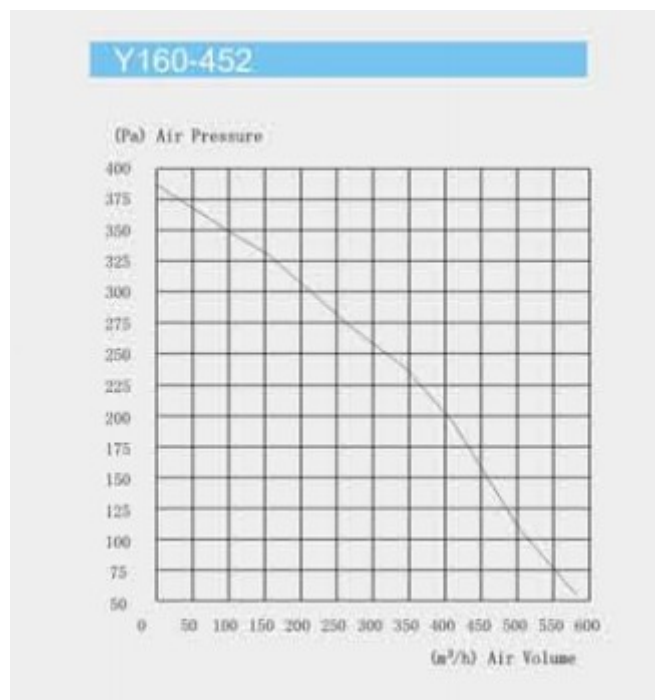
Model	CDF-Y160
Speed R.P.M	2510
Input W	120
Current A	0.60
Capacitor μ F	2 μ F /450V
Voltage	230V
Frequency	60Hz
Transport AIR	+50 \square
Wiring Diagram	ERM4001
A-weighted Sound Press level	-
Db(A) @ 1 m	52
Db(A) @ 2 m	46
Db(A) @ 3 m	42

Enclosure class, motor	44IP
Insulation class, motor	F
Weight	3.8kg
Duct connection	160mm

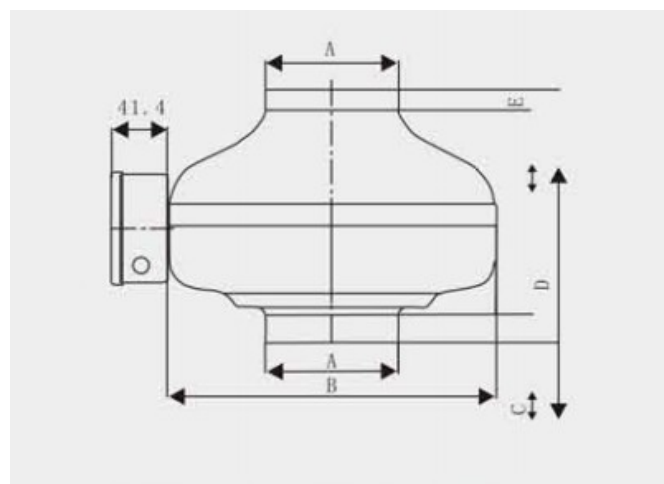
Wiring Diagram



Diagrams

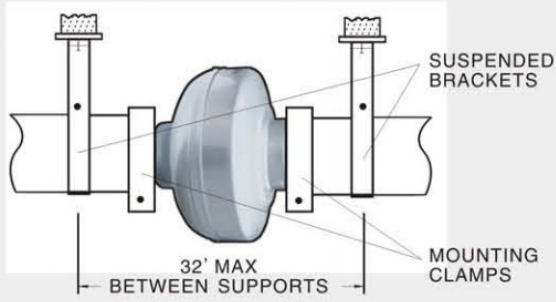


Dimension

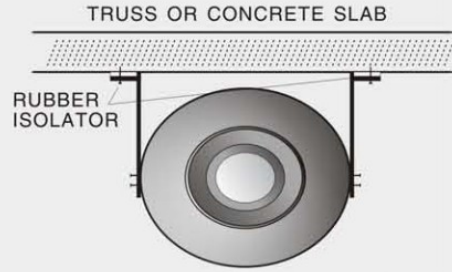


Model	A	B	C	D	E	Impeller Size
CDF Y160	160	345	27	228	27	220

SUSPENDED INSTALLATION



STANDARD INSTALLATION





DUCT FAN NYBORG Y200-462-200MM

CDF Y200

Description

The CDF is an in-line centrifugal duct fan with high capacity and excellent reliability. The straight through radial fan is compact and very easy to install. It can cope with high pressure and long duct runs, whilst still operating at acceptable noise levels.

The CDF range of fans have casings manufactured from galvanized steel and are moisture resistant. They are approved for installation in humid or damp environments being rated IP44 when installed in a duct system.

The fan speed can be controlled by voltage variation regulators. Several fans can be connected to the same controller providing the total rating of the controller is not exceeded.

The motors are an external rotor type asynchrony motor. They have maintenance free sealed ball bearings and are protected from over heating by thermo contacts.

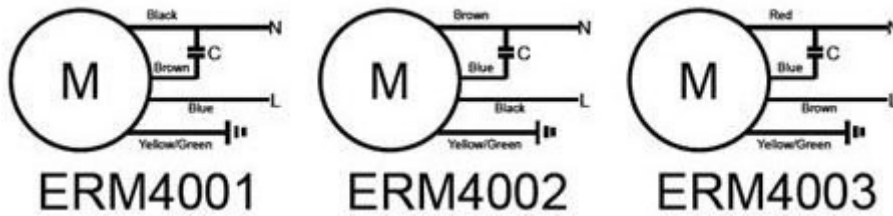


Technical data

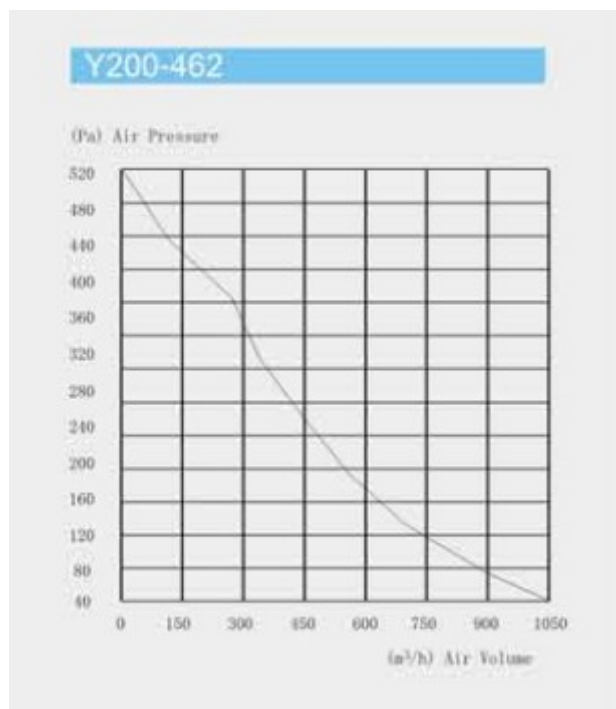
Model	CDF-Y200
Speed R.P.M	2550
Input W	176
Current A	0.81
Capacitor μ F	2 μ F /450V
Voltage	230V
Frequency	60Hz
Transport AIR	+50 \square
Wiring Diagram	ERM4001
A-weighted Sound Press level	-
Db(A) @ 1 m	52
Db(A) @ 2 m	46
Db(A) @ 3 m	42

Enclosure class, motor	44IP
Insulation class, motor	F
Weight	4.4kg
Duct connection	200mm

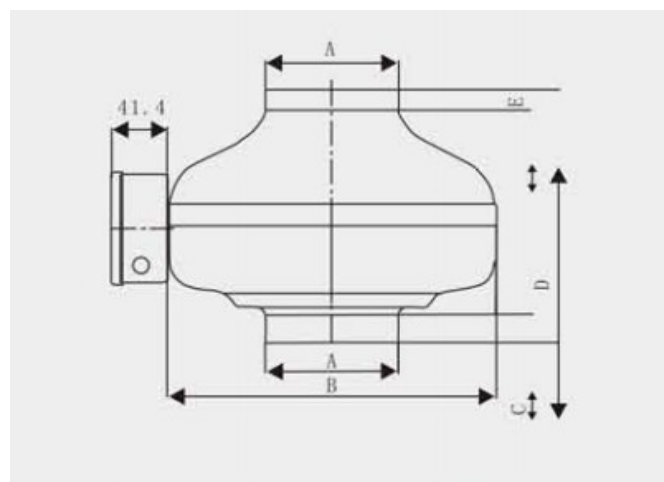
Wiring Diagram



Diagrams

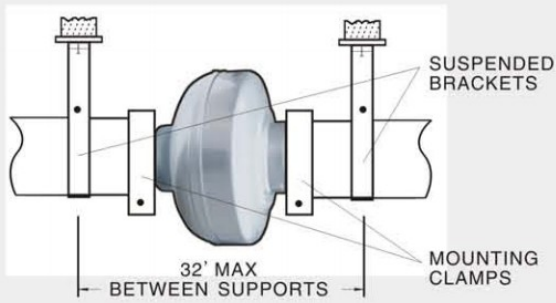


Dimension

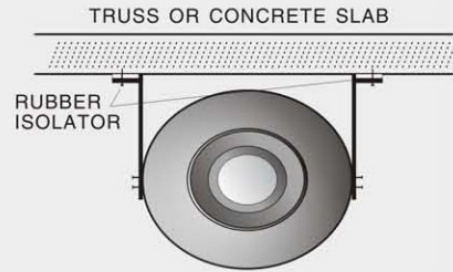


Model	A	B	C	D	E	Impeller Size
CDF Y200	200	345	27	228	29	250

SUSPENDED INSTALLATION



STANDARD INSTALLATION



Nyborg Marine Equipment As

Tomrenbygget

Postboks 50

6398 Tomrefjord

NORWAY

tlf: 004797430173 - 004795246046

email: sveinung@nyborgme – per.einar@nyborgme.no

www.nyborgme.no



DUCT FAN NYBORG Y250-662 250MM CDF-Y250

Description

The CDF is an in-line centrifugal duct fan with high capacity and excellent reliability. The straight through radial fan is compact and very easy to install. It can cope with high pressure and long duct runs, whilst still operating at acceptable noise levels.

The CDF range of fans have casings manufactured from galvanized steel and are moisture resistant. They are approved for installation in humid or damp environments being rated IP44 when installed in a duct system.

The fan speed can be controlled by voltage variation regulators. Several fans can be connected to the same controller providing the total rating of the controller is not exceeded.

The motors are an external rotor type asynchrony motor. They have maintenance free sealed ball bearings and are protected from over heating by thermo contacts.

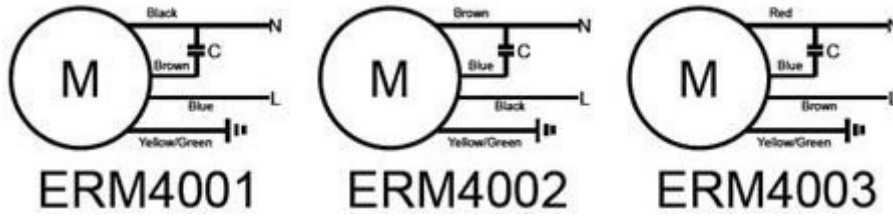


Technical data

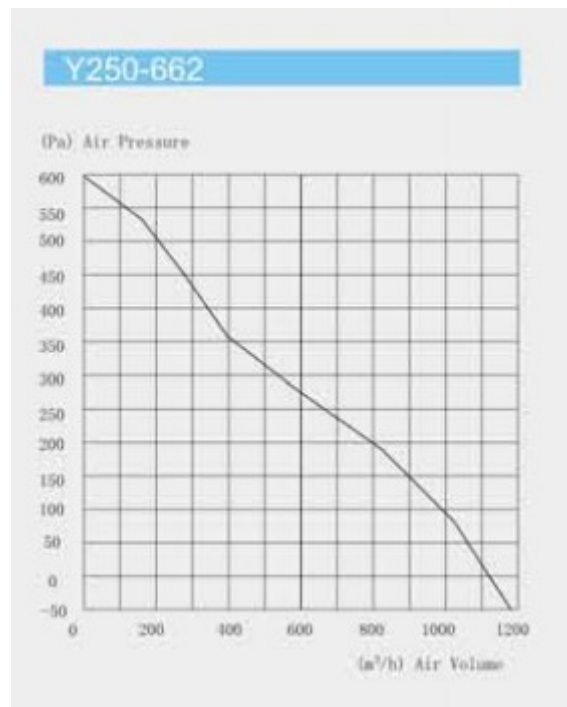
Model	CDF-Y250
Speed R.P.M	2610
Input W	189
Current A	0.85
Capacitor μ F	2 μ F /450V
Voltage	230V
Frequency	60Hz
Transport AIR	+50 \square
Wiring Diagram	ERM4001
A-weighted Sound Press level	-
Db(A) @ 1 m	50
Db(A) @ 2 m	48
Db(A) @ 3 m	44

Enclosure class, motor	44IP
Insulation class, motor	F
Weight	4.7kg
Duct connection	250mm

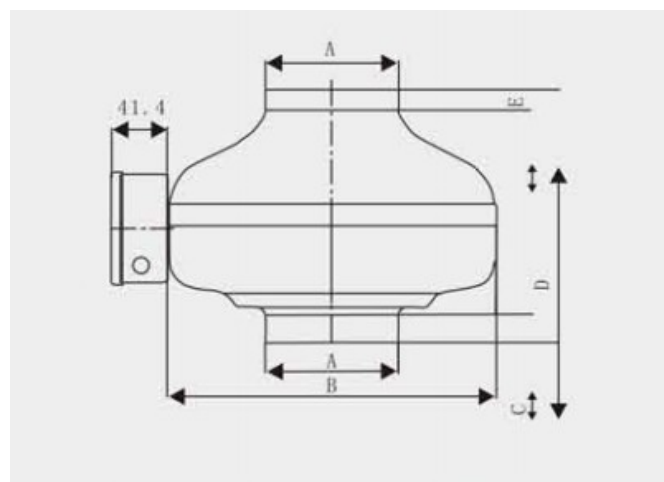
Wiring Diagram



Diagrams

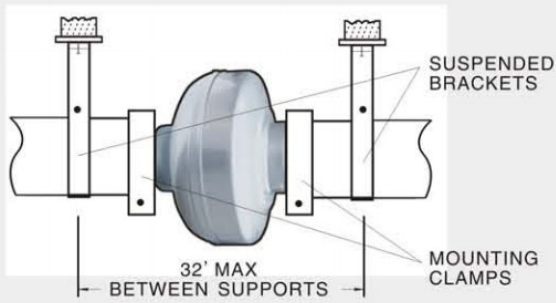


Dimension

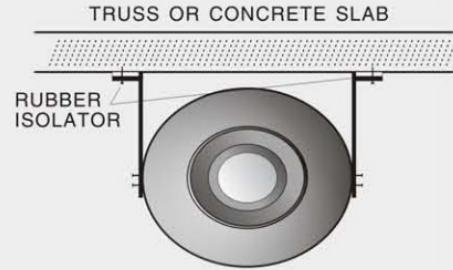


Model	A	B	C	D	E	Impeller Size
CDF Y250	250	345	27	228	29	250

SUSPENDED INSTALLATION



STANDARD INSTALLATION



Nyborg Marine Equipment As

Tomrenbygget

Postboks 50

6398 Tomrefjord

NORWAY

tlf: 004797430173 - 004795246046

email: sveinung@nyborgme – per.einar@nyborgme.no

www.nyborgme.no



DUCT FAN NYBORG Y315-662-315MM

CDF Y315

Description

The CDF is an in-line centrifugal duct fan with high capacity and excellent reliability. The straight through radial fan is compact and very easy to install. It can cope with high pressure and long duct runs, whilst still operating at acceptable noise levels.

The CDF range of fans have casings manufactured from galvanized steel and are moisture resistant. They are approved for installation in humid or damp environments being rated IP44 when installed in a duct system.

The fan speed can be controlled by voltage variation regulators. Several fans can be connected to the same controller providing the total rating of the controller is not exceeded.

The motors are an external rotor type asynchrony motor. They have maintenance free sealed ball bearings and are protected from over heating by thermo contacts.

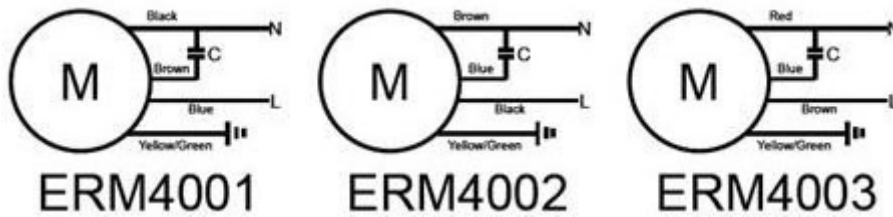


Technical data

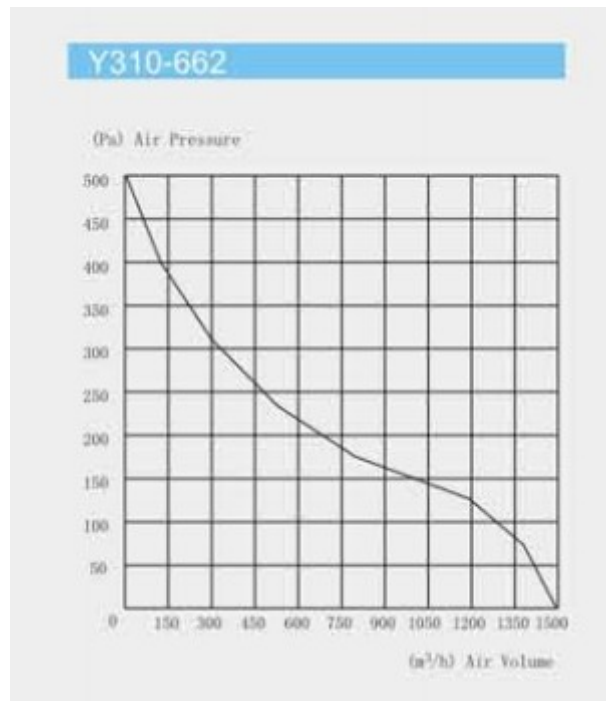
Model	CDF-Y315
Speed R.P.M	2650
Input W	185
Current A	0.83
Capacitor μ F	2 μ F /450V
Voltage	230V
Frequency	60Hz
Transport AIR	+50 \square
Wiring Diagram	ERM4001
A-weighted Sound Press level	-
Db(A) @ 1 m	53
Db(A) @ 2 m	47

Db(A) @ 3 m	43
Enclosure class, motor	44IP
Insulation class, motor	F
Weight	5.4kg
Duct connection	315mm

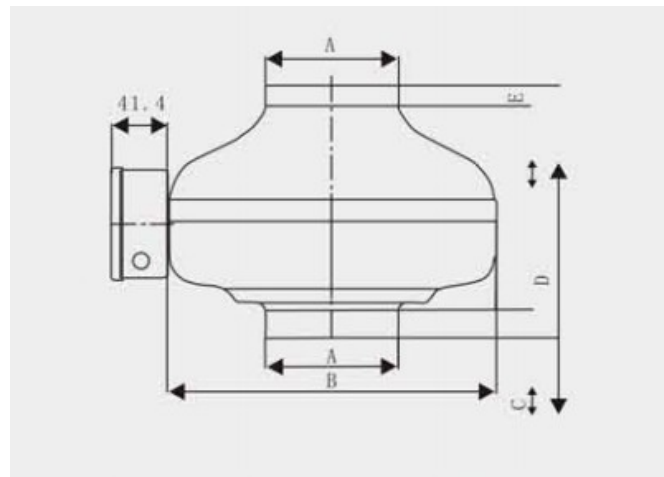
Wiring Diagram



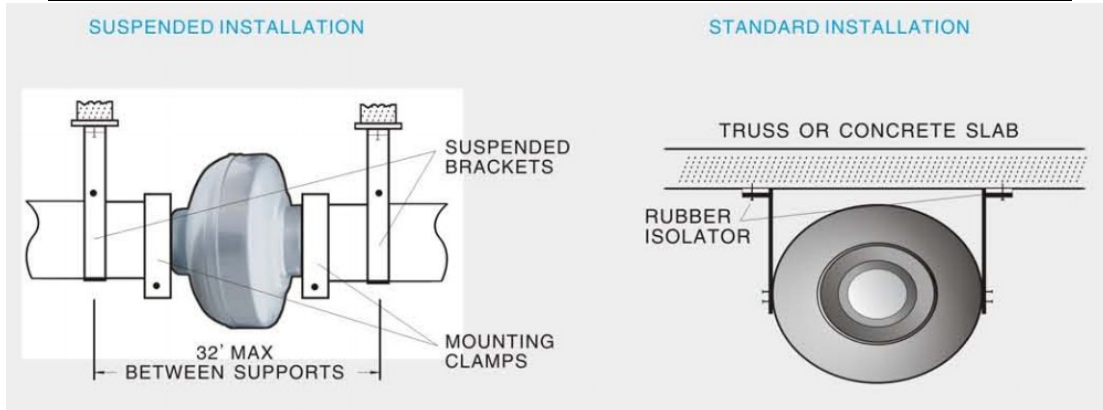
Diagrams



Dimension



Model	A	B	C	D	E	Impeller Size
CDF Y315	315	400	27	259	29	250



Nyborg Marine Equipment As

Tomrenbygget

Postboks 50

6398 Tomrefjord

NORWAY

tlf: 004797430173 - 004795246046

email: sveinung@nyborgme – per.einar@nyborgme.no

www.nyborgme.no