

APPLICATIONS

Heavy-duty cowls for marine applications, to be duct-top mounted.

KH - R10

Ventilation cowl for protection against seawater spray and rain.
Both for supply and exhaust of air.
Cowl to be turned upwards for easy maintenance and inspection.
Available for duct sizes from **dia Ø250- Ø1000**.

KH - R1F

Fixed ventilation cowl.
Available for duct sizes from **dia Ø1000- Ø1400**.

KHE - R1F

Jet cowl for upward discharge of exhaust air.
Functional design protects against seawater spray and rain, with drainage.
Available for duct sizes from **dia Ø250- Ø1000**.

KHS - R10V

Shutable ventilation cowl for protection of incoming seas and spray, and total weather tight design.
Intended for mounting on low ventilation ducts.
Dimensions are according classification societies for low ventilation ducts on main deck. Dimension G can be subtracted from the requirements of the heights of the ventilation ducts.
The valve to be manually shut or opened, and can be locked either open or shut.
The valve seals tightly against a ring of neoprene, by means of a spring load, also acting in open position.
Cowl to be upturned for easy maintenance and inspection.
Available for duct sizes from **dia Ø250- Ø1000**.

DESIGN

Long experience has contributed to a simple and functional construction.
Also tailor made solutions to meet customers specification,

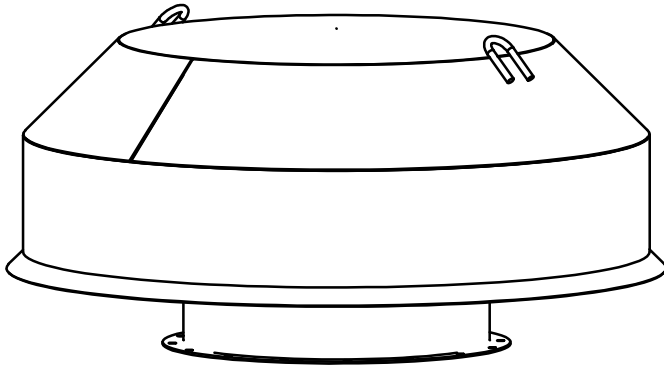
EXECUTION

Normally manufactured in Grade A ship steel, hot dip galvanised.
Other materials are sea water resistant aluminium or stainless steel.

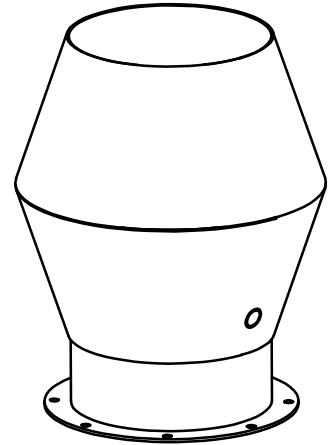


VENTILATION COWLS

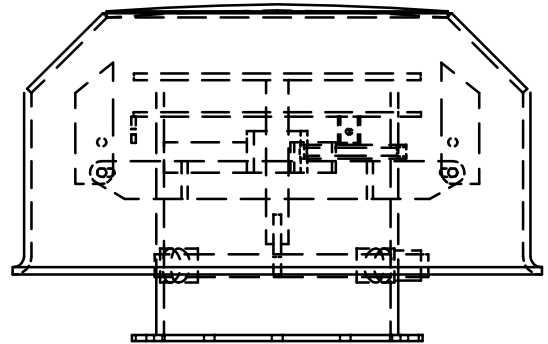
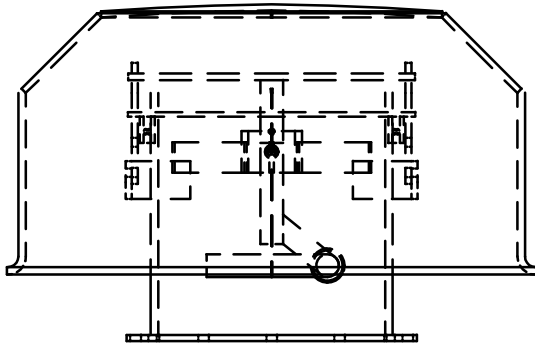
KH - R10



KHE - R1F



KHS - R10V



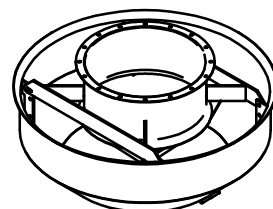
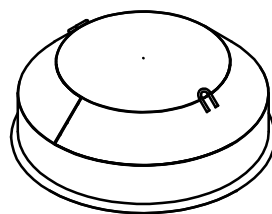
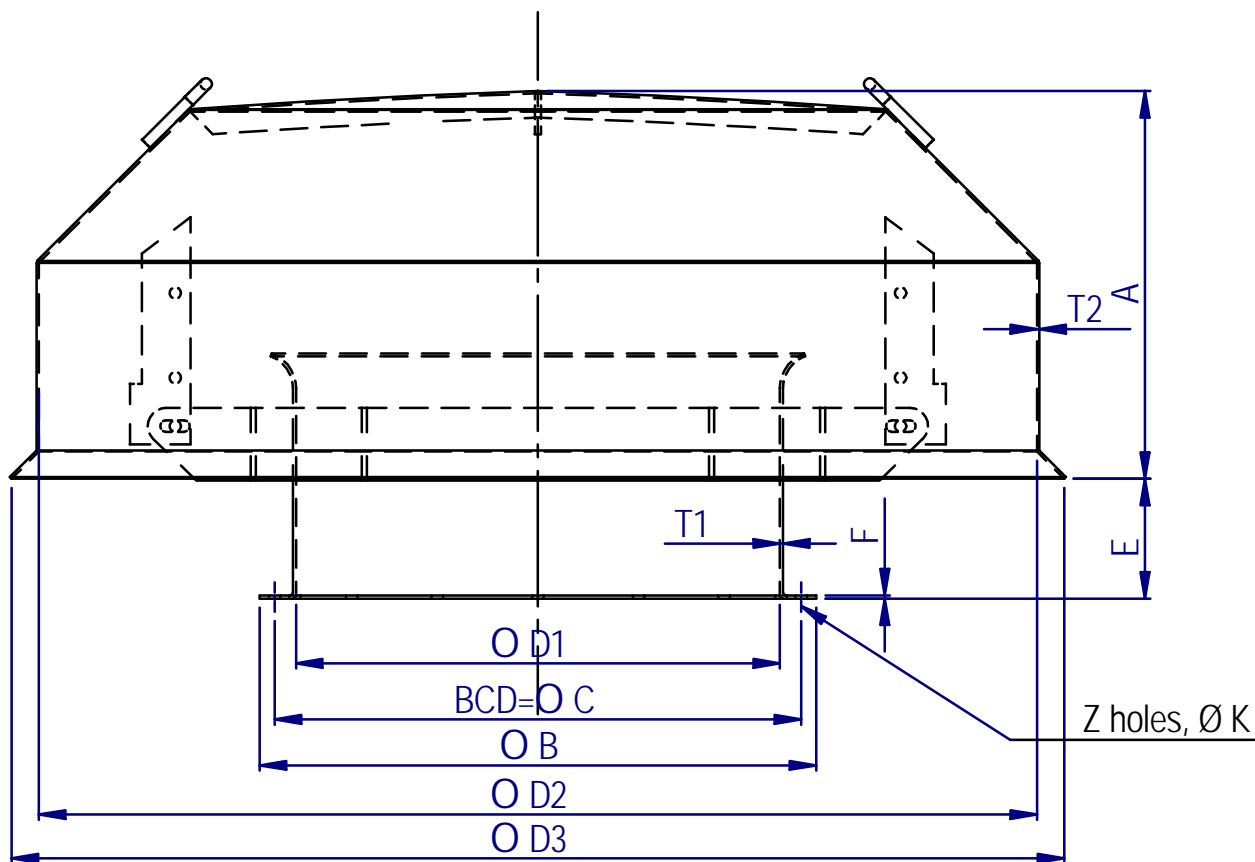
N Y B O R G A S

N-6230 SYKKYLVEN, NORWAY
TEL +47 70 25 40 80 - FAX +47 70 25 29 08
office@nyborgfan.com - www.nyborgfan.com



NYBORG VENTILATION HOOD
For Duct Top Installation
All Hot-Dipped Galvanized

KH - R10



Size	A	B	C	Ø D1	Ø D2	Ø D3	E	F/ T1	T2	Z x K	Weight
250	305	334	310	250	650	700	75	3	2	8x12	
315	305	400	360	315	650	700	75	3	2	8x14	32
355	305	440	405	355	650	700	75	3	2	8x14	34
400	470	484	460	400	900	960	85	3	3	12x14	63
450	470	534	510	450	900	960	85	3	3	12x14	64
500	470	584	560	500	900	960	85	3	3	12x14	66
630	550	736	698	630	1300	1380	115	4	3	16x14	129
710	550	816	775	710	1300	1380	115	4	3	16x14	131
800	650	906	870	800	1650	1740	200	4	4	16x19	244
900	650	1028	980	900	1650	1740	200	5	4	16x19	248
1000	870	1128	1080	1000	1850	1940	130	5	4	20x19	

4-2219

N Y B O R G A S

R.Berge
10/12-02

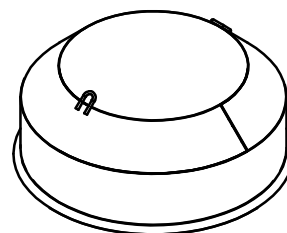
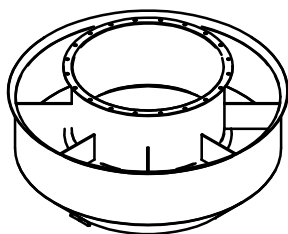
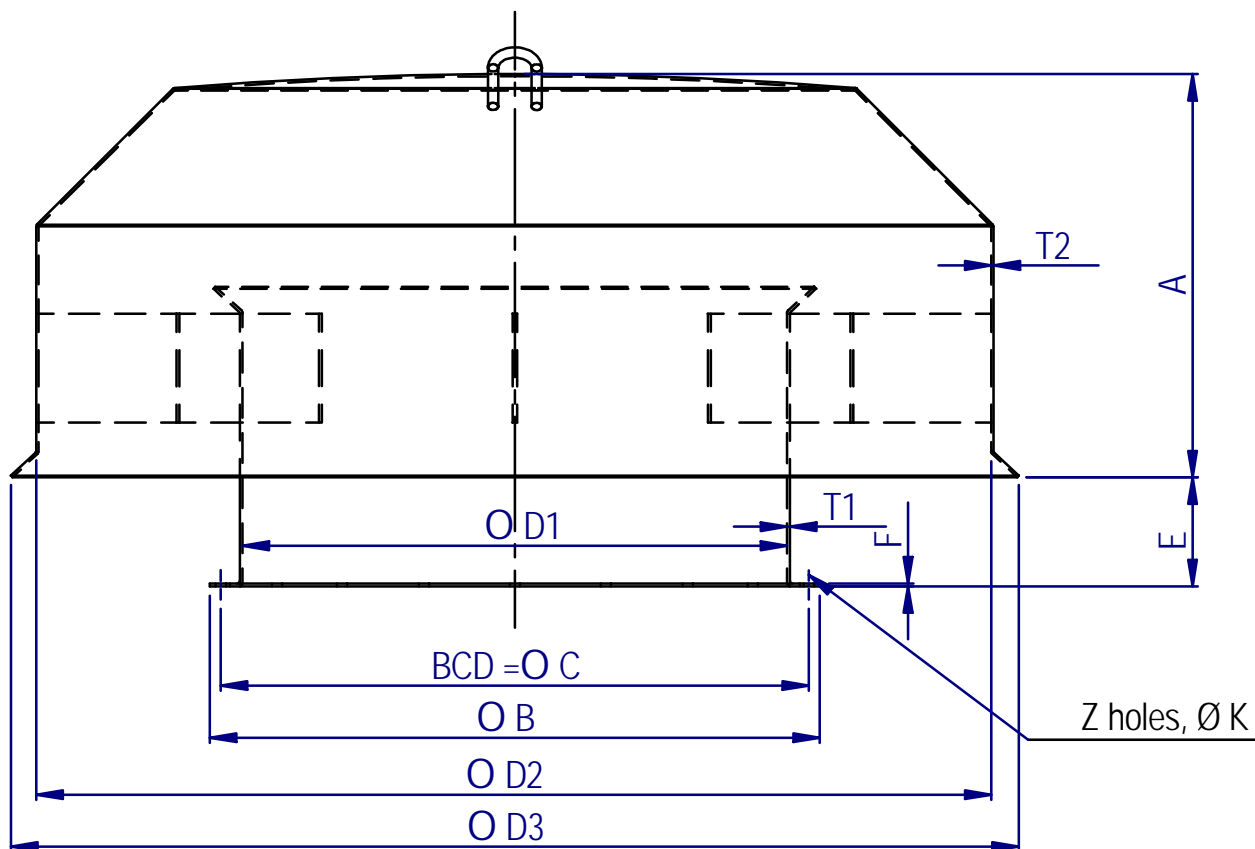
N-6230 SYKKYLVEN, NORWAY
TEL +47 70 25 40 80 - FAX +47 70 25 29 08
office@nyborgfan.com - www.nyborgfan.com

KH - R10



NYBORG VENTILATION HOOD
For Duct-Top Installation
All Hot-Dipped Galvanized

KH - R1F



Size	A	B	C	Ø D1	Ø D2	Ø D3	E	F/ T1	T2	Z x K	Weight
1000	740	1128	1080	1000	1750	1850	200	5	4	20xØ19	
1120	760	1228	1200	1120	1850	1950	200	5	4	20xØ19	
1250	770	1380	1320	1250	2050	2150	250	6	5	24xØ14	
1400	900	1530	1490	1400	2400	2510	250	6	5	32xØ19	

4-2241

N Y B O R G A S

R.Berge
13/12-02

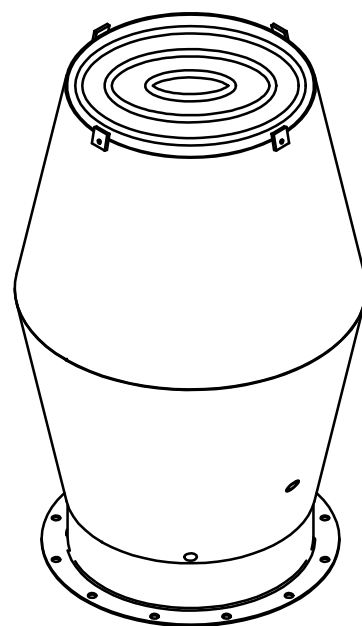
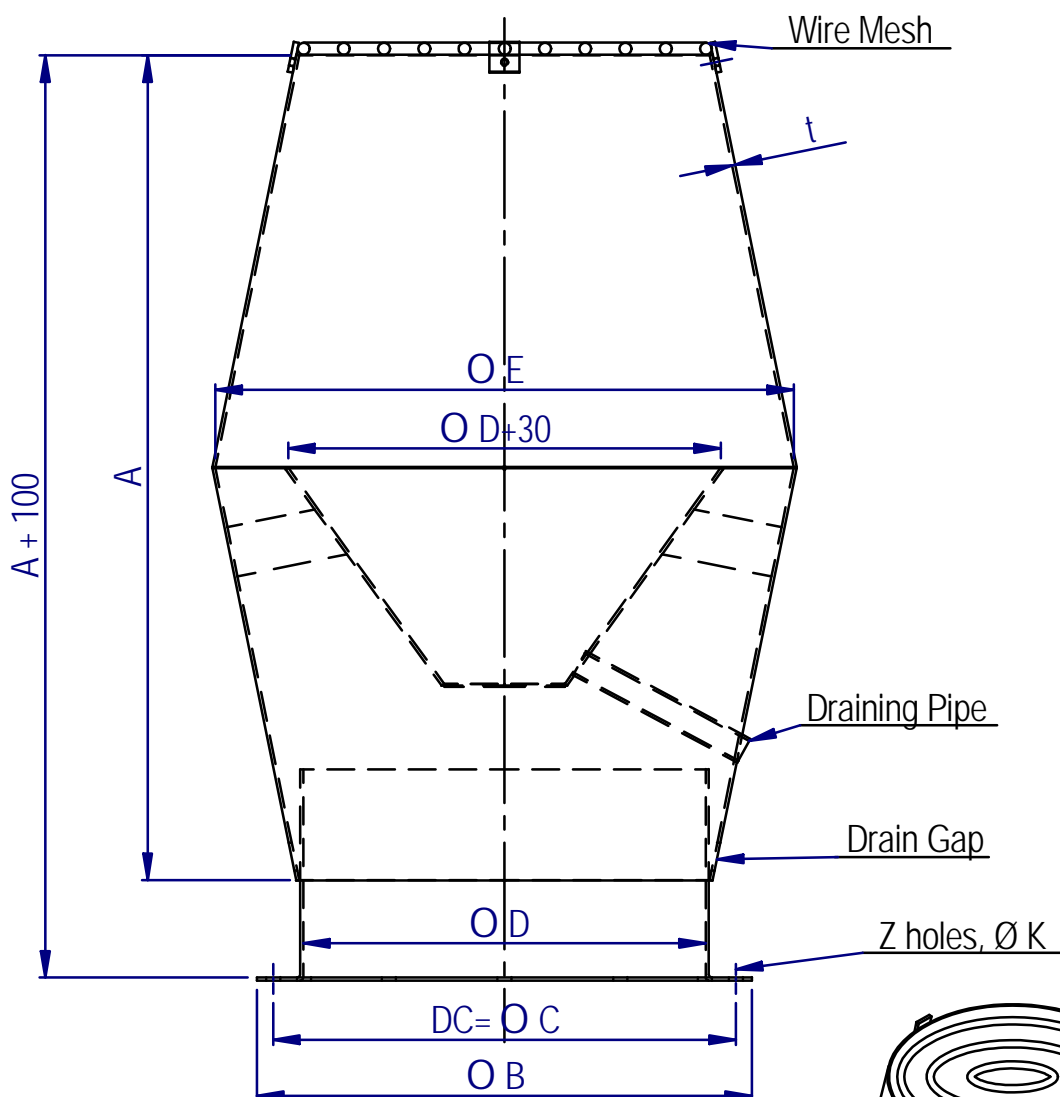
N-6230 SYKKYLVEN, NORWAY
TEL +47 70 25 40 80 - FAX +47 70 25 29 08
office@nyborgfan.com - www.nyborgfan.com

KH - R1F



JET COWL

KHE - R1F



Size	A	B	C	D	E	T	Z x K
250	410	344	310	250	405	3	8x12
315	550	384	360	315	470	3	8x14
355	770	434	405	355	520	3	8x14
400	820	484	460	400	575	3	12x14
450	890	534	510	450	655	3	12x14
500	980	584	560	500	730	3	12x14
630	1220	736	698	630	930	3	16x14
710	1380	806	775	710	1045	3	16x14
800	1530	906	870	800	1155	3	16x19
900	1700	1028	980	900	1305	3	16x19
1000	1880	1128	1080	1000	1455	3	20x19
1120	2060	1248	1200	1120	1640	4	20x19
1250	2260	1380	1320	1250	1850	4	24x14

4-2240

N Y B O R G A S

R.Berge
13/12-02
rev. 01.03.05

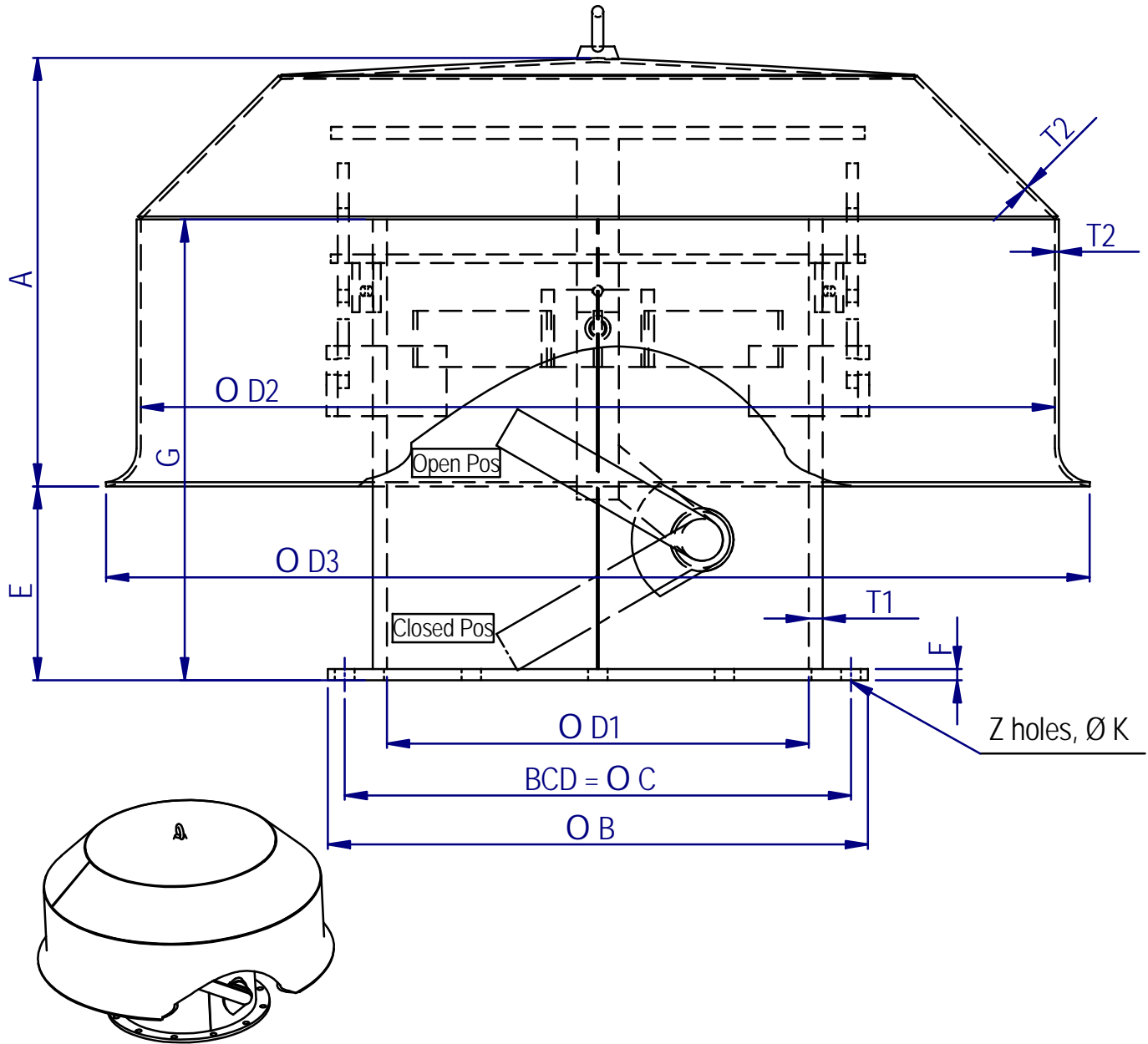
N-6230 SYKKYLVEN, NORWAY
TEL +47 70 25 40 80 - FAX +47 70 25 29 08
office@nyborgfan.com - www.nyborgfan.com

KHE - R1F



SHUTABLE VENTILATION COWL

KHS - R10V



KHS	A	B	C	Ø D1	Ø D2	Ø D3	E	F	G	T1	T2	Z x K	Weight
250	290	329	292	251	550	590	140	8	330	8	2	8x12	42
300	305	387	360	304	600	640	140	10	340	10	3	8x14	56
350	305	437	405	350	650	700	140	10	340	10	3	8x14	68
400	320	488	460	400	750	800	180	10	348	10	3	12x14	85
450	360	550	510	450	800	850	190	12	430	10	3	12x14	110
500	400	600	560	500	900	950	200	12	470	10	3	12x14	135
550	470	660	630	550	1000	1060	230	12	475	10	3	16x14	155
630	520	740	698	630	1200	1280	230	12	520	10	3	16x14	190
700	555	810	775	700	1300	1375	240	12	525	10	3	16x14	215
800	600	912	870	800	1500	1600	430	12	705	10	3	16x19	260

4-2154

N Y B O R G A S

R.Berge
04/03-03

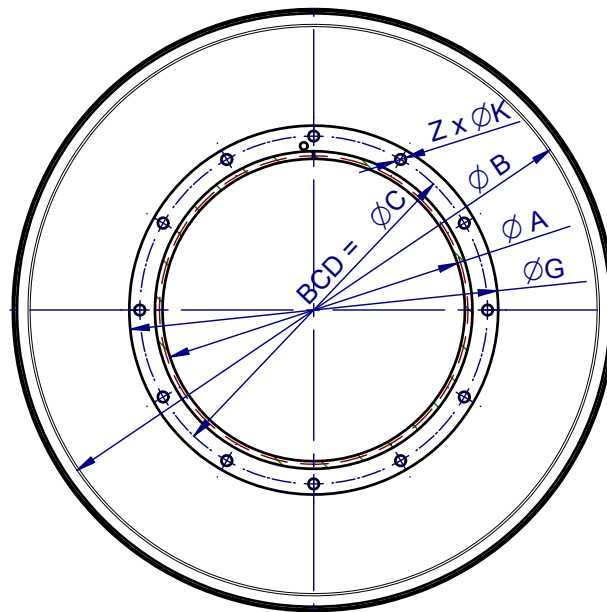
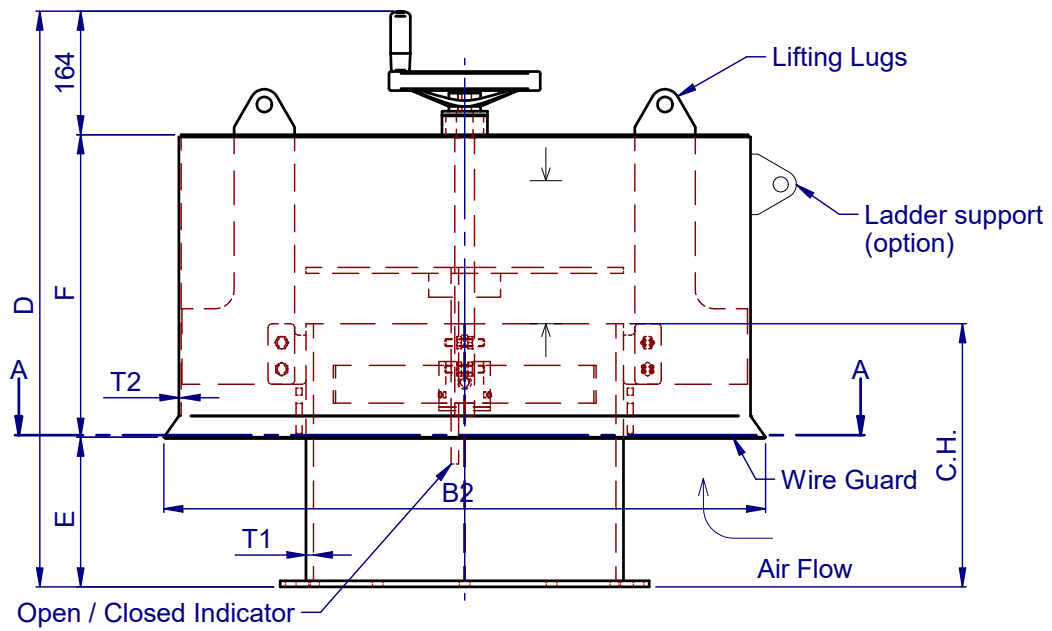
N-6230 SYKKYLVEN, NORWAY
TEL +47 70 25 40 80 - FAX +47 70 25 29 08
office@nyborgfan.com - www.nyborgfan.com

KHS - R10V



VENTILATION HOOD WITH WEATHER TIGHT CLOSING

KHR



SECTION A-A

A	B	B2	C	D	E	F	G	C.H.	T1	T2	Z x ØK
250	550	590	310	~628	200	285	334	300	8,8 (10)	4	8 x 12
315	600	640	360	~652	200	285	400	300	10	4	8 x 14
355	650	690	405	~667	200	285	440	300	10	4	8 x 14
400	700	740	460	~684	200	285	484	300	10	4	12 x 14
450	800	840	510	~706	200	285	534	300	10	4	12 x 14
500	900	940	560	~721	200	285	584	300	10	4	12 x 14
550	1000	1040	630	~770	200	285	634	300	10	5	16 x 14
630	1100	1140	698	~820	230	360	736	350	10	5	16 x 14
710	1250	1290	775	~850	230	410	816	350	10	5	16 x 14
800	1400	1440	870	~884	230	410	906	350	10	5	16 x 19
900	1600	1640	980	~921	230	435	1028	350	10	5	16 x 19
1000	1800	1840	1080	~1010	230	525	1128	350	10	5	20 x 19
1120	2000	2040	1200	~1050	240	575	1248	375	10	5	20 x 19
1250	2250	2290	1320	~1090	240	600	1380	375	10	5	24 x 14

Tegn.nr.: 4-2266

N Y B O R G A S

Dato: 28.03.2012
Tegn. av: SA.Drabløs

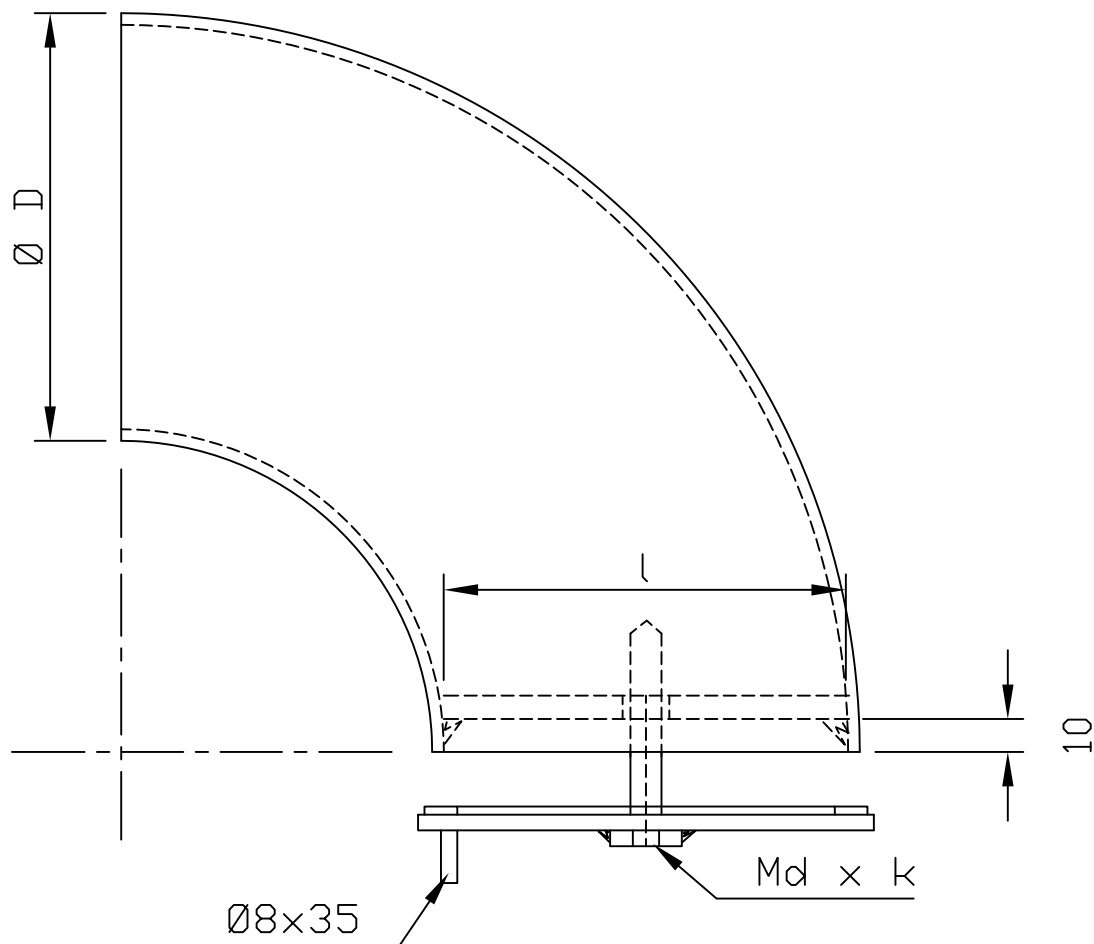
N-6230 SYKKYLVEN, NORWAY
TEL +47 70 25 40 80 - FAX +47 70 25 29 08
office@nyborgfan.com - www.nyborgfan.com

250 - 900



DIMENSION DRAWING

SWAN NECK
TYPE A



Dim.	ØD	r	t	Md x k	l	Weight [kg]	Remarks
50	60,3	80	6,3	M8x50	50	2	
80	88,9	120	6,3	M8x50	78	2,5	
100	114,3	150	8	M8x50	100	4	
125	139,7	190	8,8	M10x60	122	5,5	
160	168,3	240	8,8	M10x60	149	7,5	
200	219,1	300	8,8	M10x60	199	18	
250	273	375	8,8	M10x60	253	29	
300	323,9	450	8,8	M10x60	304		

Date : 13.10.98

N Y B O R G A S

Tegn : 4-1367-1

N-6230 SYKKYLVEN, NORWAY
TEL +47 70 25 40 80 - FAX +47 70 25 29 08
office@nyborgfan.com - www.nyborgfan.com

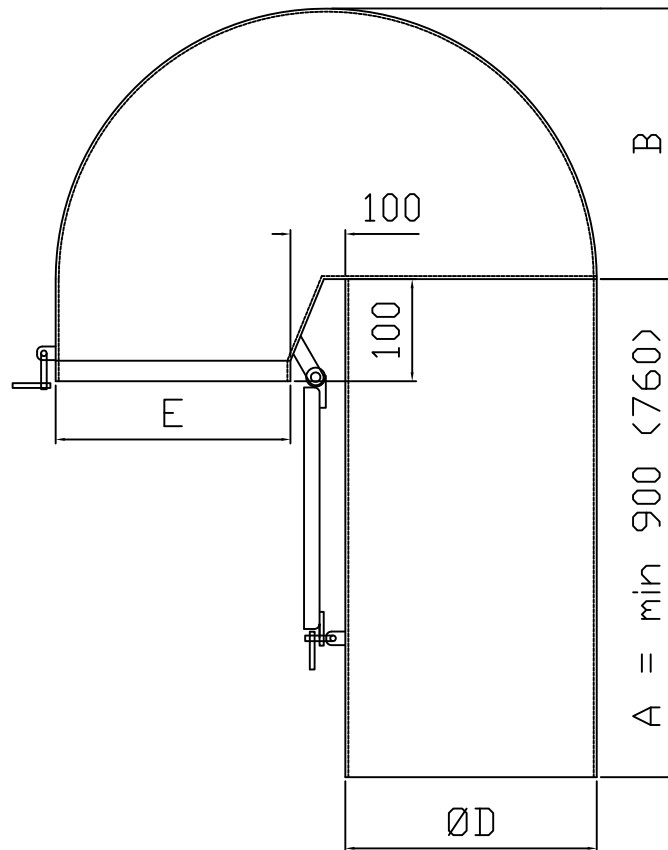
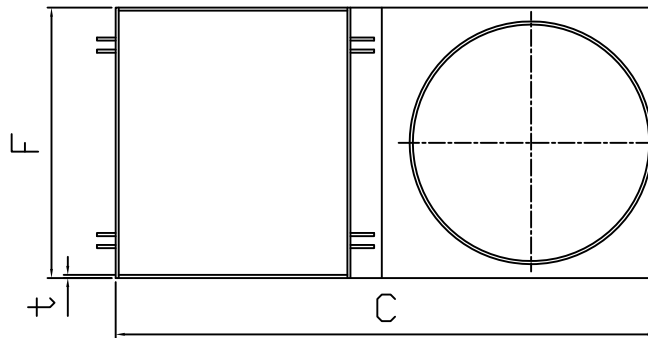
Name : M.BERGE

SWAN NECK
TYPE A



Dimension Drawing

Swan Neck
Type B



Dim	A	B	C	D	E	F	t
200		270	530	200	210	250	10
250		325	640	250	270	280	10
300		390	770	300	350	330	10
350			870	350	400	410	10
400			970	400	450	410	10

Date : 13.10.98

Tegn : 4-1368

Name : M.Berge

N Y B O R G A S

N-6230 SYKKYLVEN - NORWAY

Tel: +47 70 25 40 80 - Fax +47 70 25 29 08

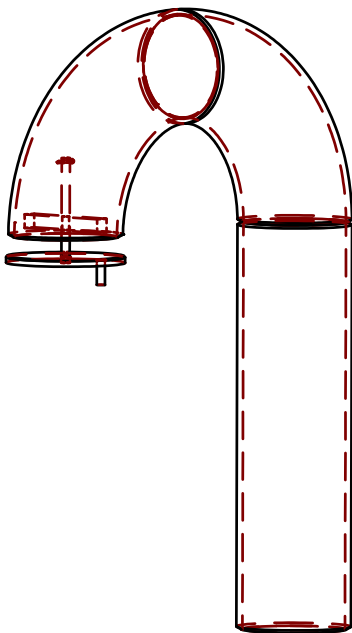
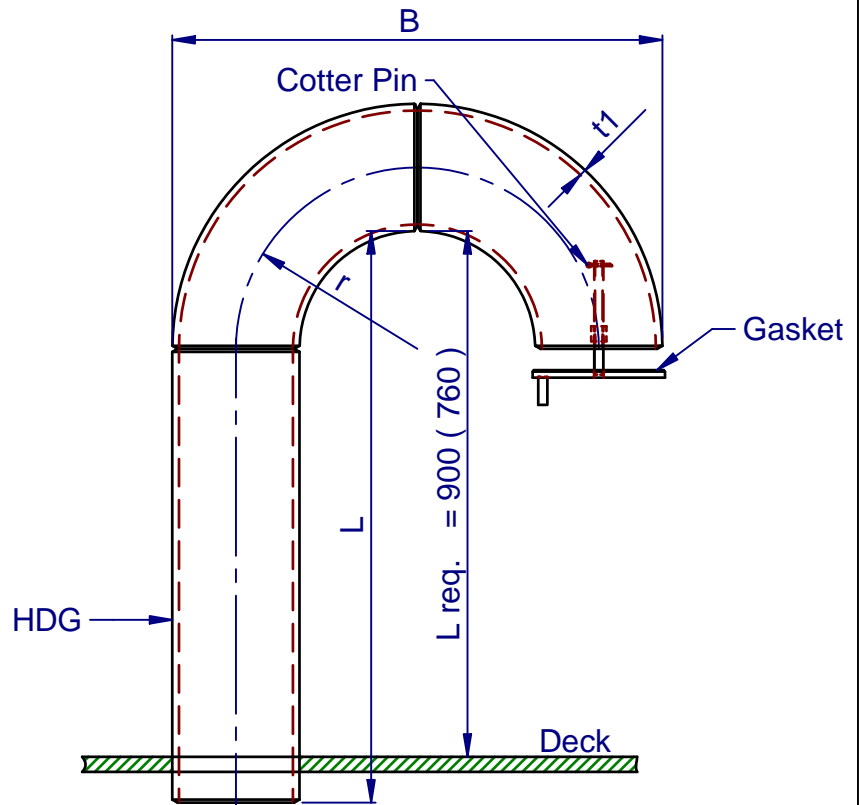
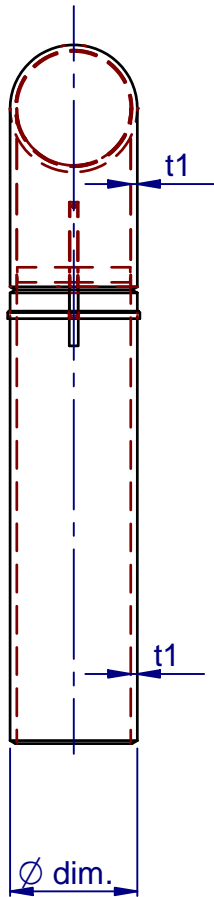
office@nyborgfan.com - www.nyborgfan.com

Swan Neck
Type B



DIMENSION DRAWING

SWAN NECK TYPE C



Size (ND)	$\varnothing \text{ dim}$	$t1$	L	r	B
50	60,3	6,3		80	220,3
80	88,9	6,3		120	328,9
100	114,3	8		150	414,3
125	139,7	8,8		190	519,7
160	168,3	8,8		240	648,3
200	219,1	8,8		300	819,1
250	273	8,8		375	1023
300	323,9	8,8		450	1223,9
350	355,6	8,8		530	1415,6

04.09.09

N Y B O R G A S

F.Østro
4-2260

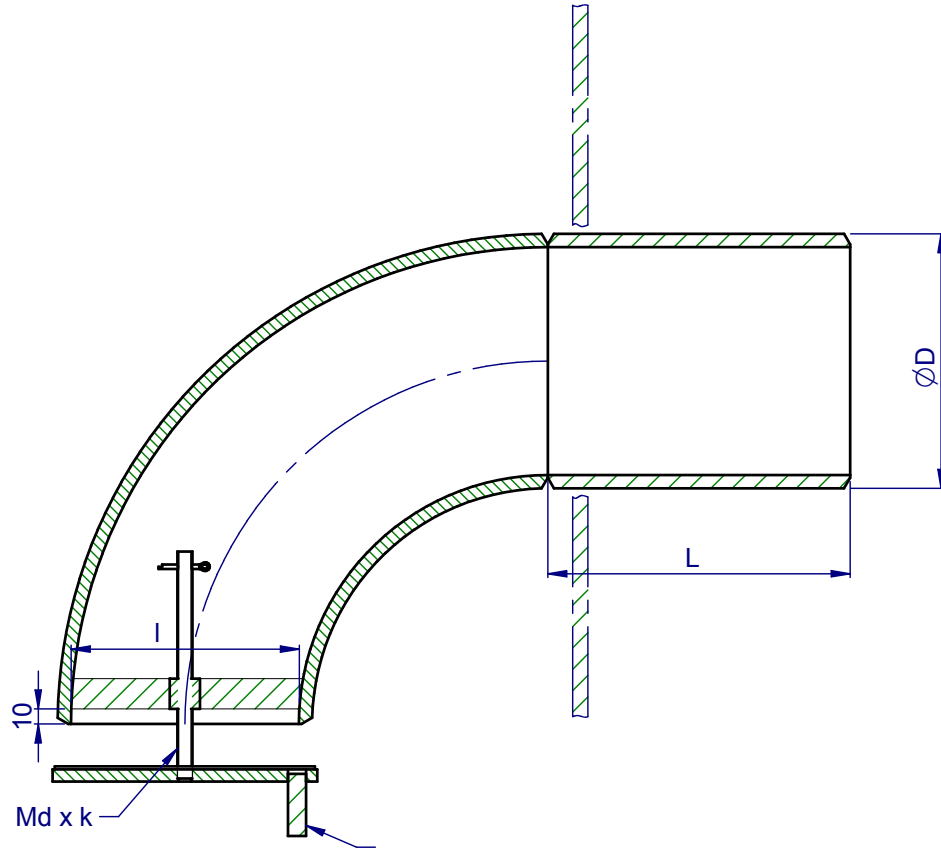
N-6230 SYKKYLVEN, NORWAY
TEL +47 70 25 40 80 - FAX +47 70 25 29 08
office@nyborgfan.com - www.nyborgfan.com

**SWAN NECK
TYPE C**



DIMENSION DRAWING

SWAN NECK
TYPE D



Dim.	ØD	r	t	Md x k	l	Weight [kg]	L	Remarks
51	60,3	80	6,3	M10 x 65	50	2		
80	88,9	120	6,3	M10 x 65	78	2,5		
100	114,3	150	8	M10 x 115	103	4		
125	139,7	190	8,8	M10 x 115	128	5,5		
160	168,3	240	8,8	M12 x 150	157	7,5		
200	219,1	300	8,8	M12 x 150	204	18		
250	273	375	8,8	M12 x 150	258	29		
300	323,9	450	8,8	M12 x 150	308			
350	355,6	530	8,8	M12 x 150	332			
400	406,4	610	8,8	M12 x 150	383			

Tegn.nr.: 4-2264

N Y B O R G A S

Dato: 06.05.2010
Tegn. av: SA.Drabløs

N-6230 SYKKYLVEN, NORWAY
TEL +47 70 25 40 80 - FAX +47 70 25 29 08
office@nyborgfan.com - www.nyborgfan.com

SWAN NECK
TYPE D



Gen. Arr. Drawing

MPV 1120
D1E

Alt. :

6 mm AISI 316L
c/w mineral wool /
Perf. pl, AISI 316

Laminates, 2 mm GRP
c/w 40 mm core
insulation

Hinges, SS, 6 off

Motor
MPV 1100 A1EG
c/w guide -vanes

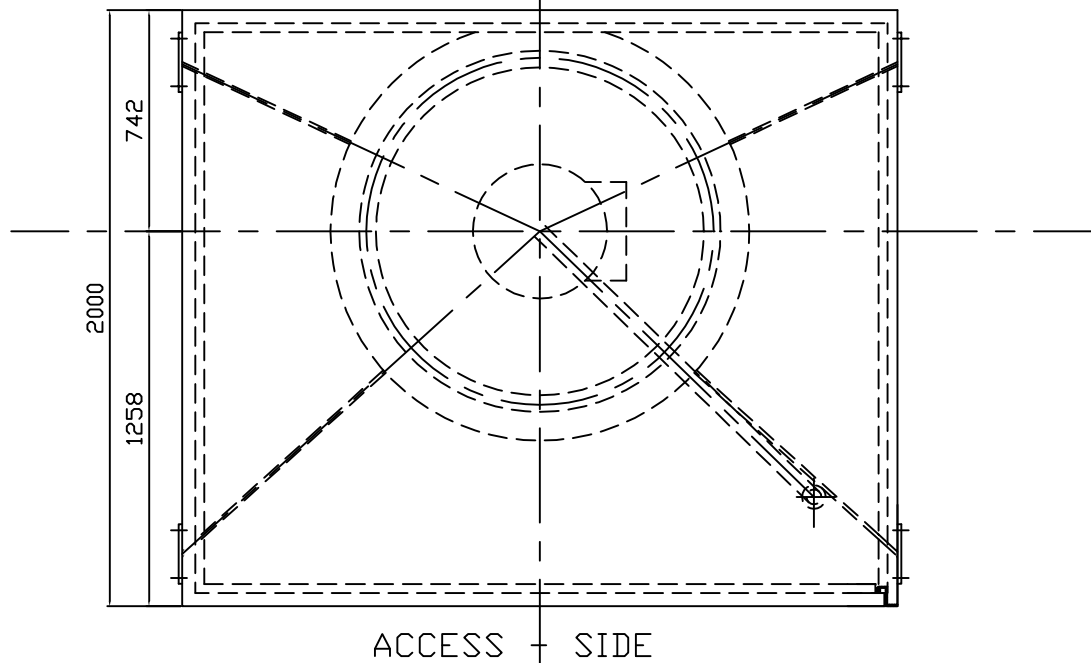
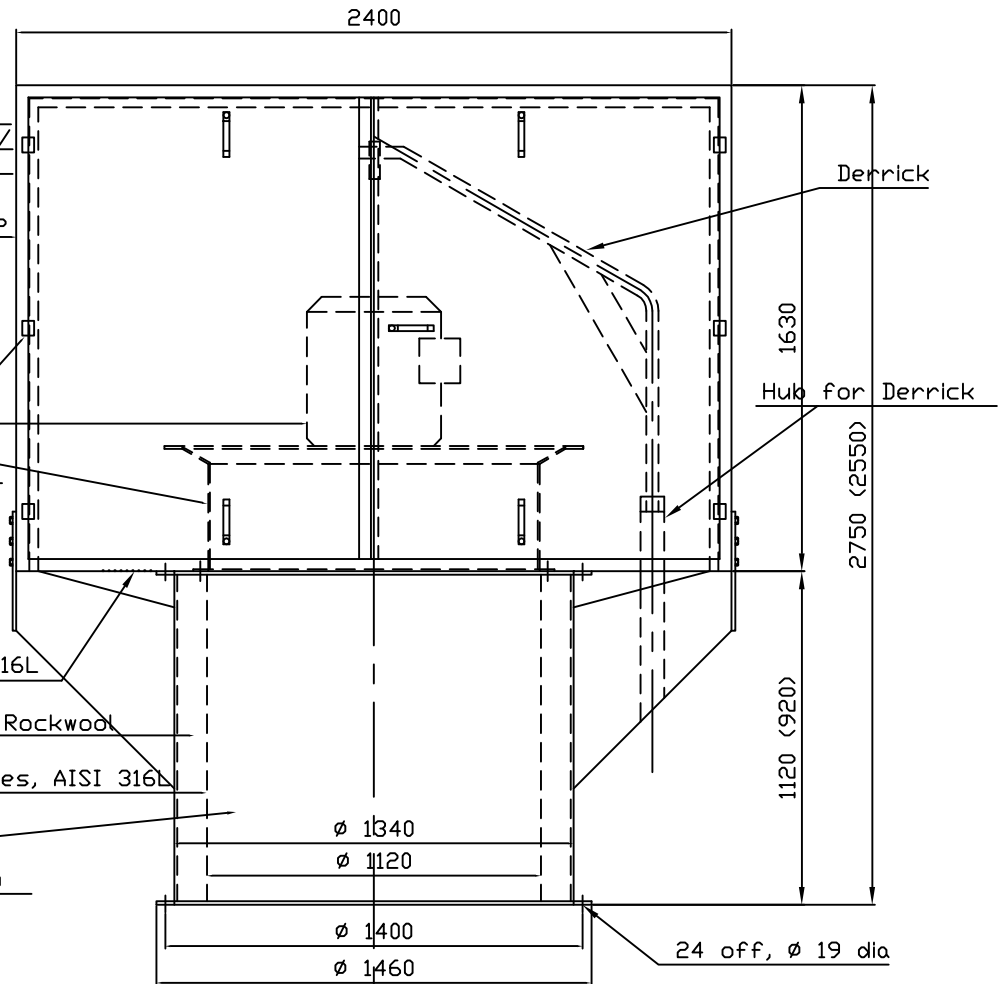
Wire-Mesh, AISI 316L

Insulation, 100mm, Rockwool

Perforated Plates, AISI 316L

LSS \varnothing 1120

Frame , th= 10 mm



Date : 16/10-98

Tegn : 4-1305

Name : R.Berge

N Y B O R G A S

N-6230 SYKKYLVEN - NORWAY

Tel: +47 70 25 40 80 - Fax +47 70 25 29 08

E-MAIL: office@nyborgfan.com - WEB: www.nyborgfan.com

MPV 1120
D1E