

APPLICATIONS

Heavy-duty dampers are designed for marine applications.

LSS – R

Butterfly valve with circular housing for air volume control or as a shut-off damper.
Manually, electrically or pneumatically operated.
Available for duct sizes from **dia Ø200- Ø1250**.

SSVent

Rectangular Shut-Off Damper with Adapter-plate for circular application.
Damper blades and shafts are executed in AISI 316L.
Manually, electrically or pneumatically operated.
Available for duct sizes from **dia Ø710- Ø1600**.

S.Vent – R1OVL

Butterfly Valve with Drain Gap for Overflow Water. Suitable for weather tight shut-off service of ventilating ducts on main deck.
To be used where the heights of the ventilating top-ducts above deck are low.
Mainly fitted with manual actuators as hand-wheels or levers. For remote control the valves can be supplied with electric, pneumatic or hydraulic actuators.
Available for duct sizes from **dia Ø150- Ø1250**.

DESIGN

Long experience has contributed to a simple and functional construction.
Also tailor made solutions to meet customer's specification.

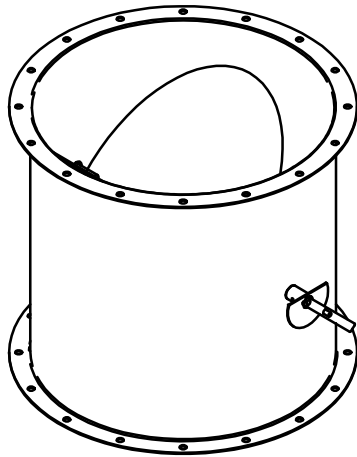
EXECUTION

Normally manufactured in Grade A ship steel, hot dip galvanized.
Other materials are sea water resistant aluminium or stainless steel.

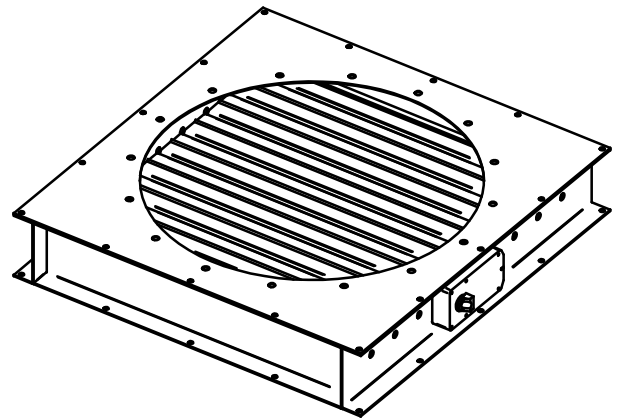


DAMPERS

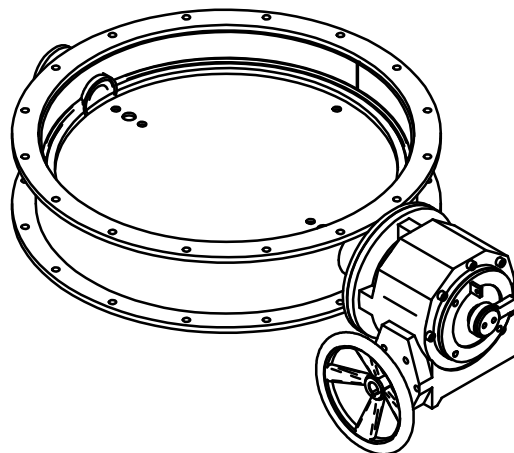
LSS - R



SSVENT



S.VENT - R10VL



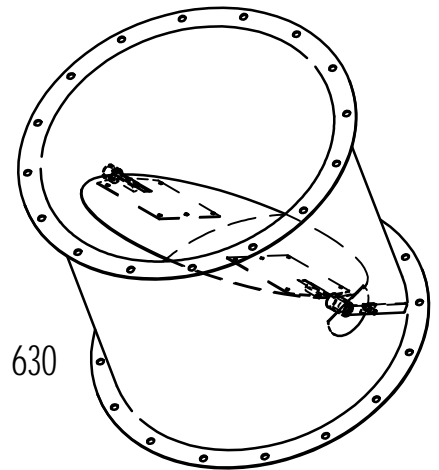
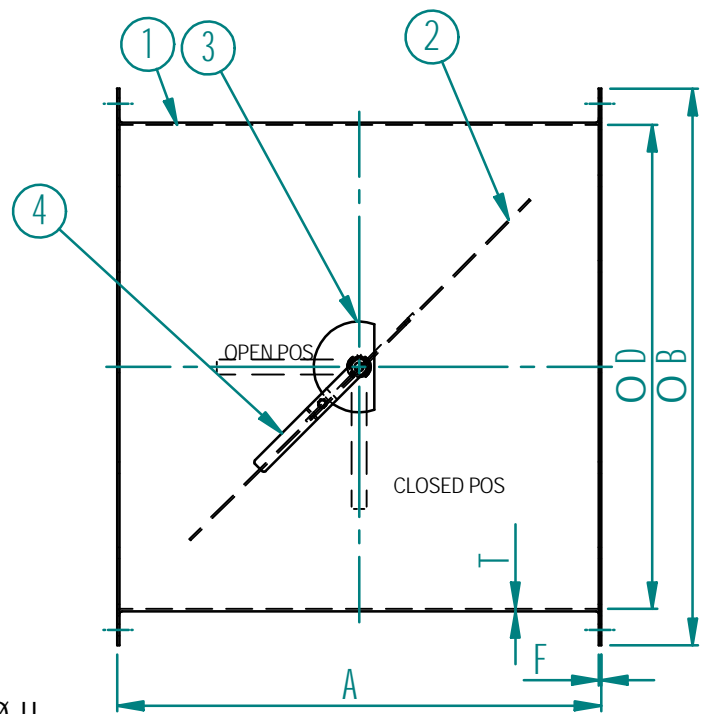
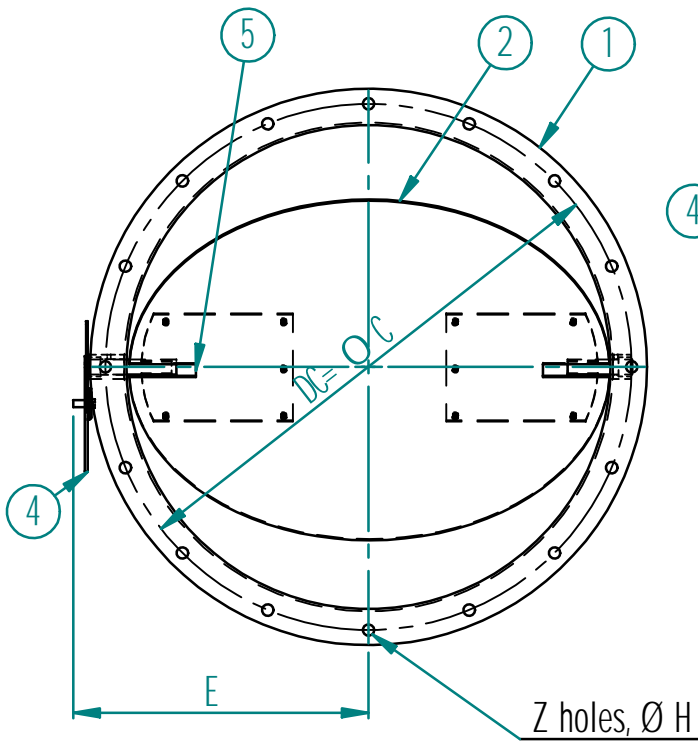
N Y B O R G A S

N-6230 SYKKYLVEN, NORWAY
TEL +47 70 25 40 80 - FAX +47 70 25 29 08
office@nyborgfan.com - www.nyborgfan.com



NYBORG CIRCULAR SHUT-OFF DAMPER

LSS - R



- ① DAMPER HOUSING, Matl. : St.37, Hot Dipped Galvanized
- ② DAMPER PLATE, Matl.: AISI 316L
- ③ OPERATING FIELD, c/w open/closed Indicator
- ④ OPERATING HANDLE, c/w Clamping Screw and Wing Nut
- ⑤ DAMPER SHAFT, Matl. : AISI 316L

To be equipped with actuator (pneumatical or electrical) up to size Ø 630

DIA	A	B	C	Ø D	E	F	T	Z	ØH
200	200	264	242	200	200	3	3	8	12
250	250	334	310	250	225	3	3	8	12
315	315	384	360	315	260	3	3	8	14
355	355	434	405	355	280	3	3	8	14
400	400	484	460	400	300	3	3	12	14
450	450	534	510	450	325	3	3	12	14
500	500	584	560	500	350	3	3	12	14
550	550	656	630	550	375	4	4	16	14
630	630	736	698	630	415	4	4	16	14
710	710	806	775	710	455	4	4	16	14
800	800	906	870	800	500	4	4	16	19
900	900	1028	980	900	550	5	5	16	19
1000	1000	1128	1080	1000	600	5	5	20	19
1120	1120	1228	1200	1120	660	5	5	20	19
1250	1250	1380	1320	1250	725	6	6	24	14

20/11-02

N Y B O R G A S

R.Berge
4-2224

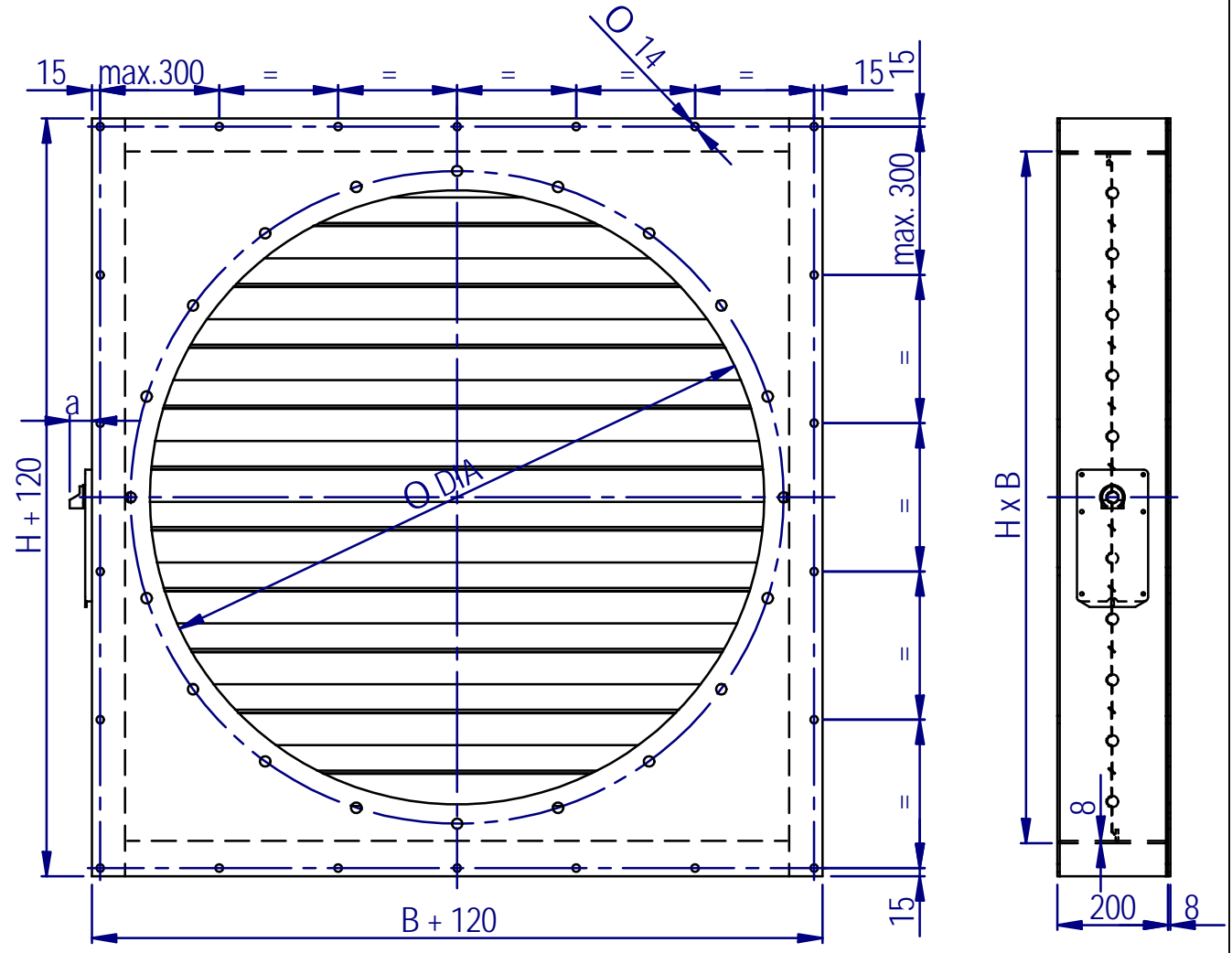
N-6230 SYKKYLVEN, NORWAY
TEL +47 70 25 40 80 - FAX +47 70 25 29 08
office@nyborgfan.com - www.nyborgfan.com

LSS - R



NYBORG RECTANGULAR SHUT-OFF DAMPER

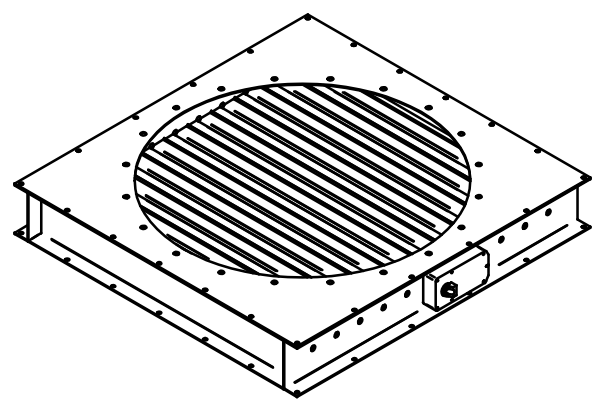
SSVent



NYBORG RECTANGULAR SHUT-OFF DAMPER,
 DESIGNED FOR CIRCULAR APPLICATION,
 SSVent BxH, made of hot dipped galv. Steel.
 Damper blades and shafts in AISI 316L.
 Adapterplate is made of hot dipped galv. steel.
 Equipped with electrical or pneumatical actuators.

Actuator	a
N	100
B	80
E	200

DIA	B	H
710		810
800	900	920
900	1000	1030
1000	1100	1140
1120	1250	1250
1250	1360	1360
1400	1500	1580
1600	1750	1800



19/11-02

N Y B O R G A S

R.Berge
4-2225

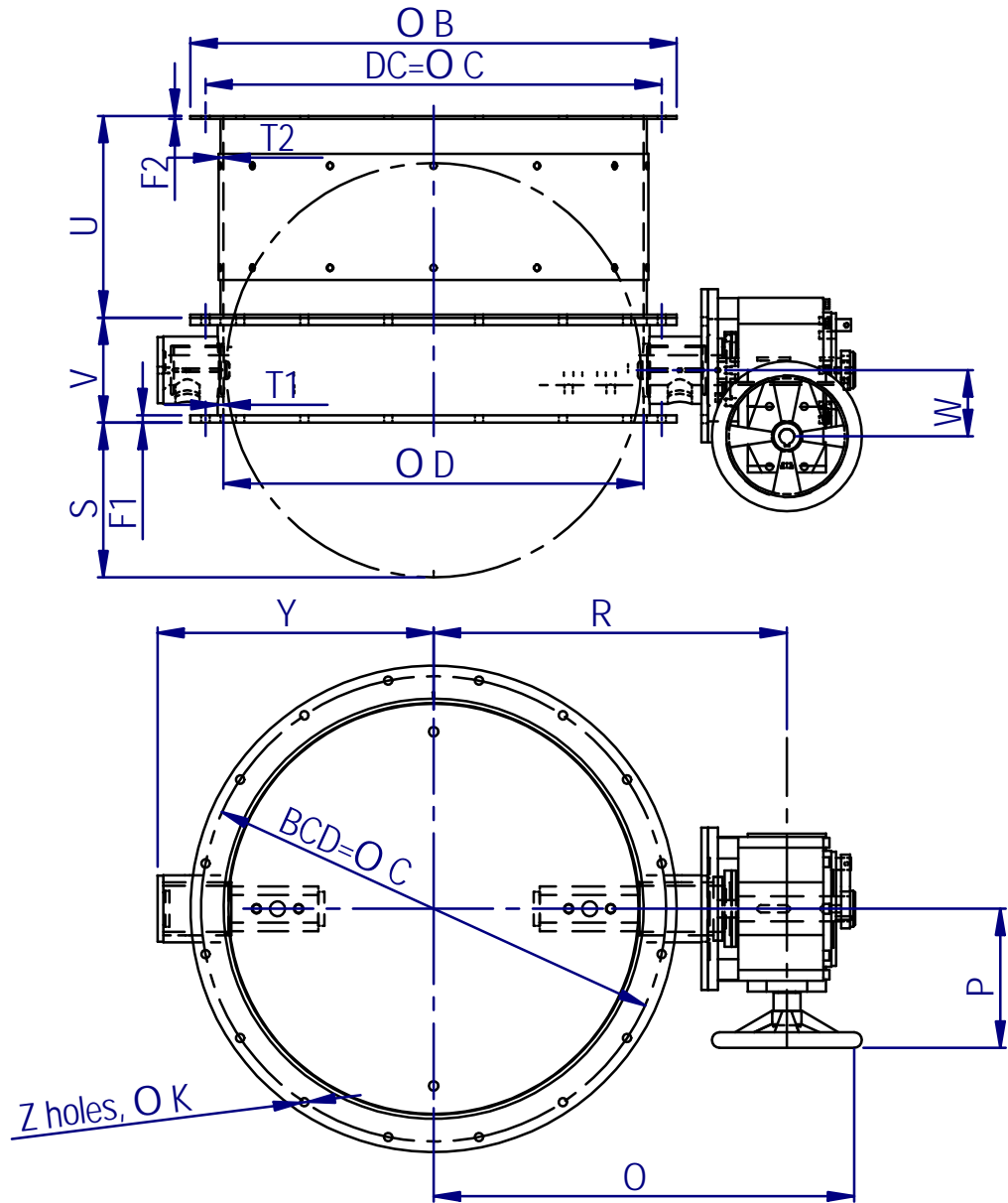
N-6230 SYKKYLVEN, NORWAY
 TEL +47 70 25 40 80 - FAX +47 70 25 29 08
 office@nyborgfan.com - www.nyborgfan.com

SSVent

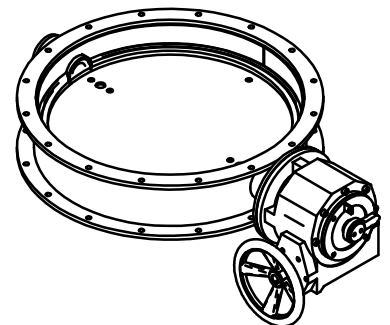


BUTTERFLY VALVE WITH DRAIN GAP FOR OVERFLOW WATER

**S.Ventil
R1(2)OVL**



Size	ØB	ØC	ØD	O	P	R	Y	S	U	V	W	F1	F2	T1	T2	Z	K
150	225	200	150	200	200		105	40	160	70	70	6	6	8	3	6	12
200	267	242	200	220	200		130	65	160	70	70	7	8	9	3	8	12
260	337	310	260	276	225		168	73	160	112	90	12	8	11	3	8	12
300	387	360	300	300	250		194	86	210	124	110	13	10	12	4	8	14
350	437	405	350	325	300		240	111	210	126	110	13	10	12	4	8	14
400	488	460	400	350	310		270	136	210	126	110	13	10	12	4	12	14
450	550	510	450	380	370		305	153	260	140	132	14	12	13	4	12	14
500	600	560	500	415	370		335	178	260	140	132	14	12	13	4	12	14
550	660	630	550	445	400		360	190	260	162	140	14	12	13	4	16	14
630	740	698	630	490	460		400	228	260	162	140	15	12	14	5	16	14
700	810	775	700	675	320	515	465	258	336	162	122	13	12	10	6	16	14
800	912	870	800	725	320	565	515	306	340	162	122	13	12	12	6	16	19
900	1032	980	900	770	320	610	560	360	425	162	122	13	15	12	6	16	19
1000	1132	1080	1000	855	320	695	650	390	425	162	153	13	15	12	8	20	19
1100	1233	1180	1100	905	320	745	695	445	450	162	153	13	15	12	8	20	19
1120	1252	1200	1120	915	320	755	705	465	450	162	153	13	15	12	8	20	19
1200	1333	1280	1200	955	320	795	750	488	500	162	153	13	15	12	8	24	19
1250	1380	1320	1250	980	320	820	775	500	500	162	153	13	15	12	8	24	19



4-2157

N Y B O R G A S

28/03-03
R.Berge

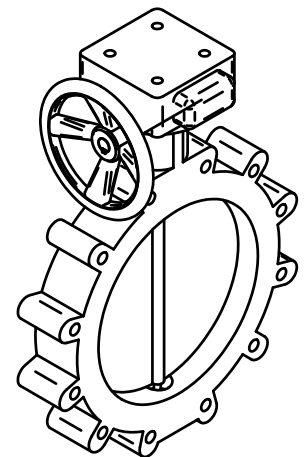
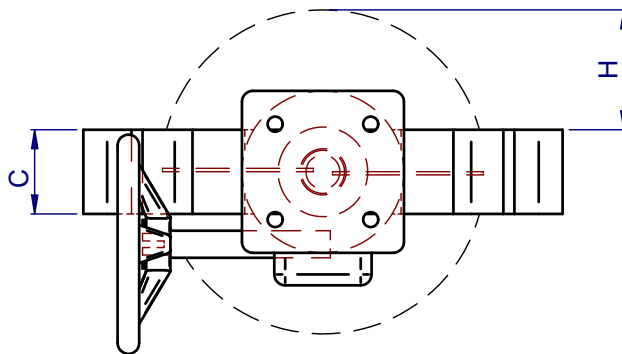
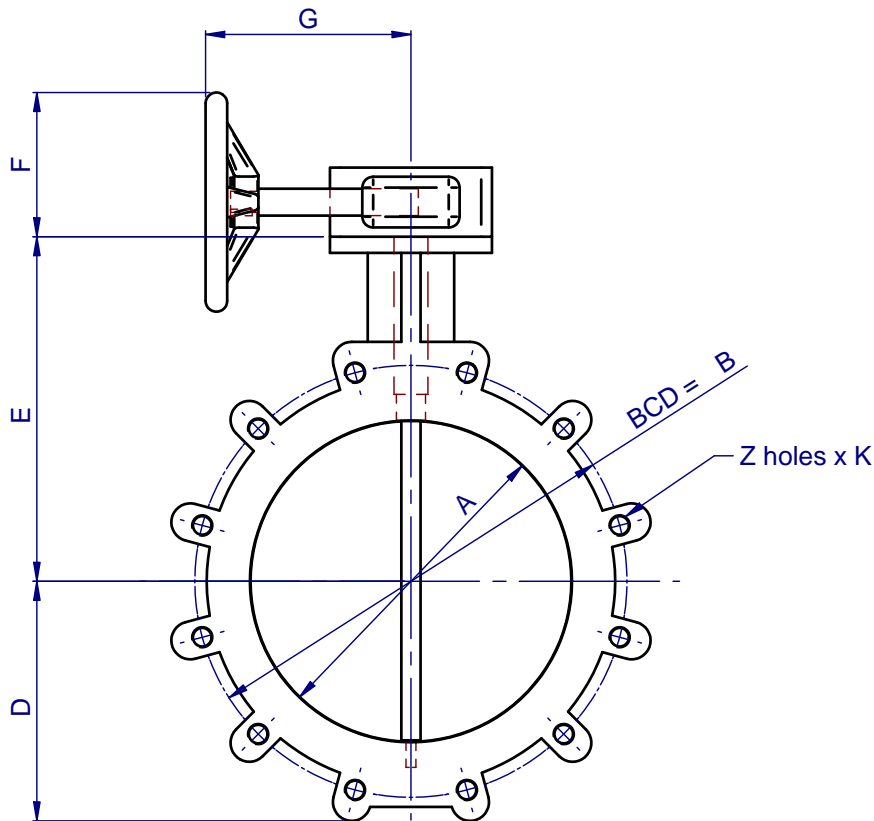
N-6230 SYKKYLVEN, NORWAY
TEL +47 70 25 40 80 - FAX +47 70 25 29 08
office@nyborgfan.com - www.nyborgfan.com

**S-Ventil
R1(2)OVL**



BUTTERFLY VALVE weather and water tight

B-Vent



SSL	A	B	C	D	E	F	G	H	Z x K	Weight
150	150	240	56	128	203	199	136	52	8 x M20	
200	200	295	60	154	241	134	190	75	8 x M20	
250	250	350	68	195	273	134	190	96	12 x M20	
300	300	400	78	229	311	134	190	116	12 x M20	
350	350	460	78	252	345	134	190	141	16 x M20	
400	400	515	102	287	375	134	190	154	16 x M24	
450	450	565	114	309	406	212	375	173	20 x M24	
500	500	620	127	356	438	212	375	192	20 x M24	

4-2261

N Y B O R G A S

15.02.2010
SA. Drabløs

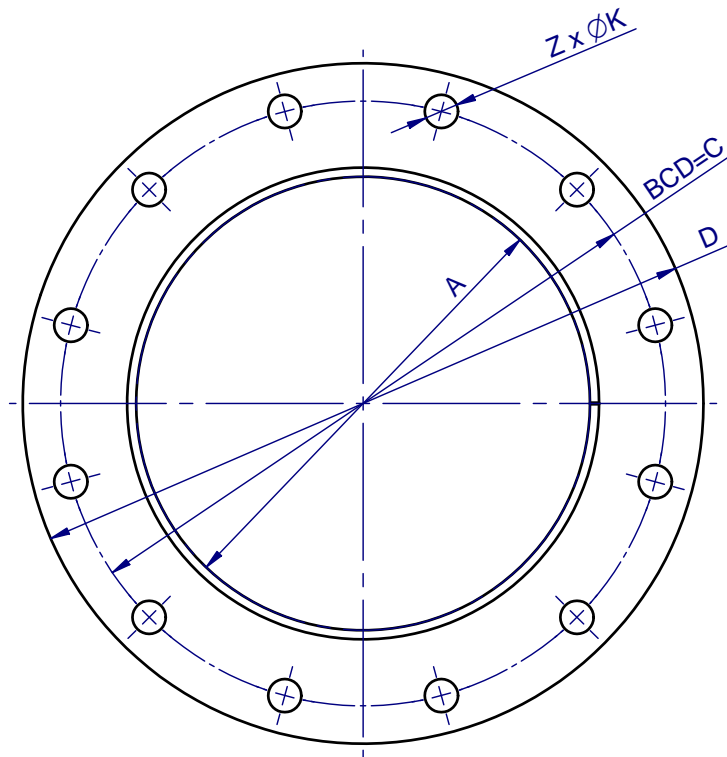
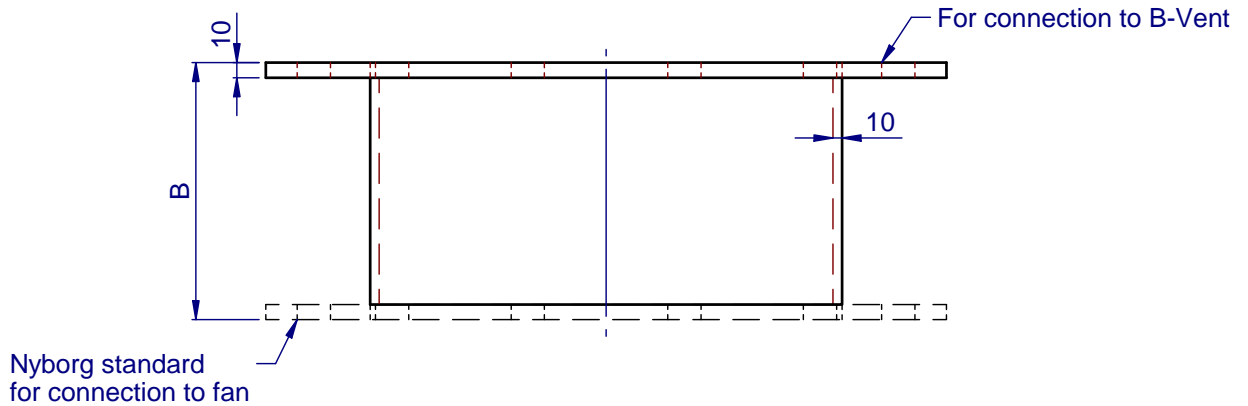
N-6230 SYKKYLVEN, NORWAY
TEL +47 70 25 40 80 - FAX +47 70 25 29 08
office@nyborgfan.com - www.nyborgfan.com

B-Vent



CONNECTING PIECE WITH OR WITHOUT FLANGE

B-Vent 150 - 500



A	B	C	D	Z x K
150	52	240	256	8 x 22
200	75	295	308	8 x 22
250	96	350	390	12 x 22
300	116	400	458	12 x 22
350	141	460	504	16 x 22
400	154	515	574	16 x 26
450	173	565	618	20 x 26
500	192	620	712	20 x 26

Tegn.nr.: 4-2269

N Y B O R G A S

Dato: 13.12.2010
Tegn. av: SA.Drabløs

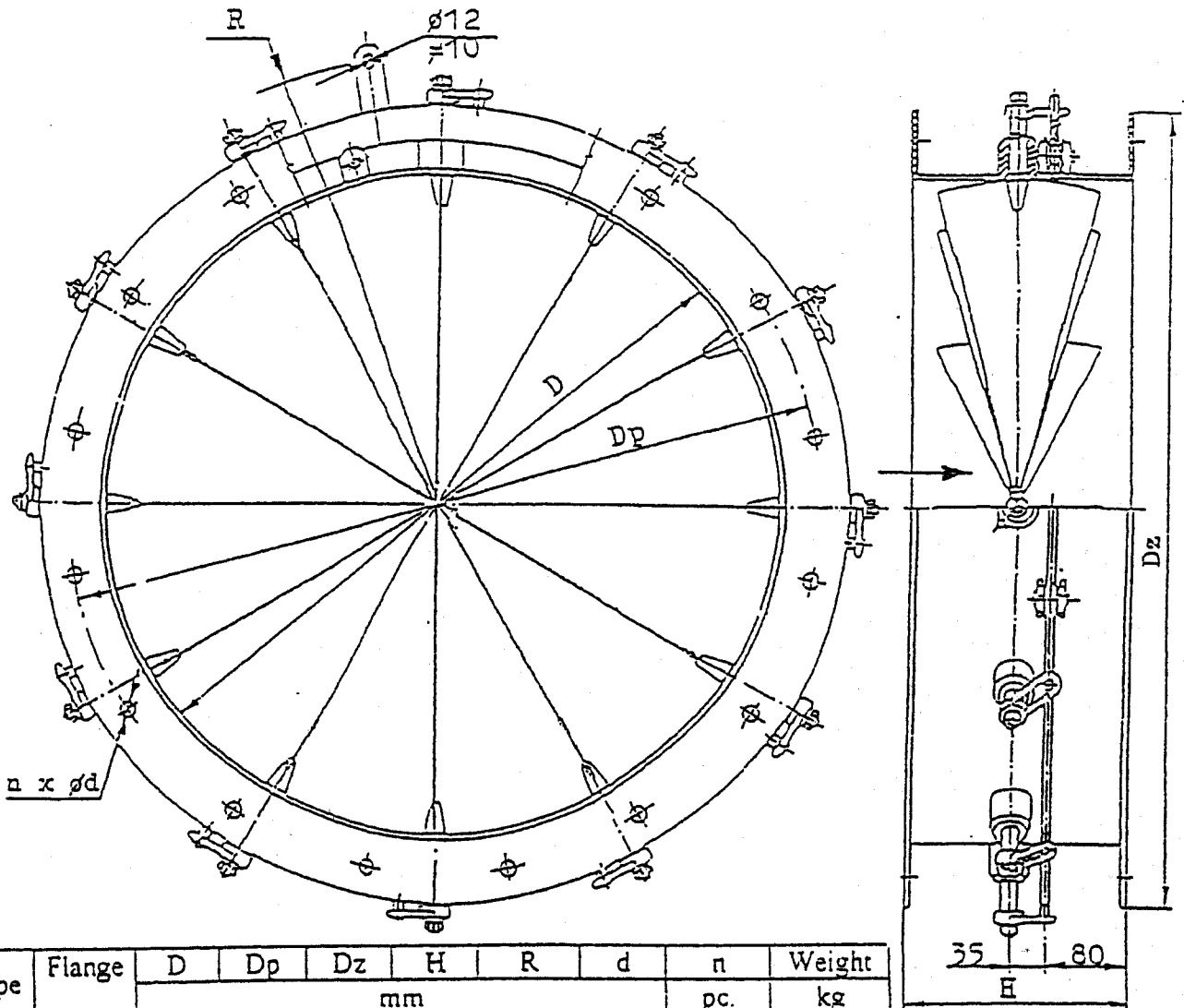
N-6230 SYKKYLVEN, NORWAY
TEL +47 70 25 40 80 - FAX +47 70 25 29 08
office@nyborgfan.com - www.nyborgfan.com

B-Vent 150 - 500



REGULATING APPARATUS A-40, A-50, A-56 and A-63 TYPE

ADJUSTED BY SERVOMOTOR



Type	Flange	mm						n pc.	Weight kg
		D	Dp	Dz	H	R	d		
A-40	light	400	432	456	180	311	10	12	25,9
	heavy		446	484		322	12		28,8
A-50	light	500	532	556	200	361	10	16	33,5
	heavy		573	622		391	15		45,7
A-56	light	560	592	622	210	391	10	16	38,8
	heavy		633	684		422	15		50,8
A-63	light	630	662	692	220	426	10	16	44,1
	heavy		703	754		457	15		56,8

When ordering please state the following data:

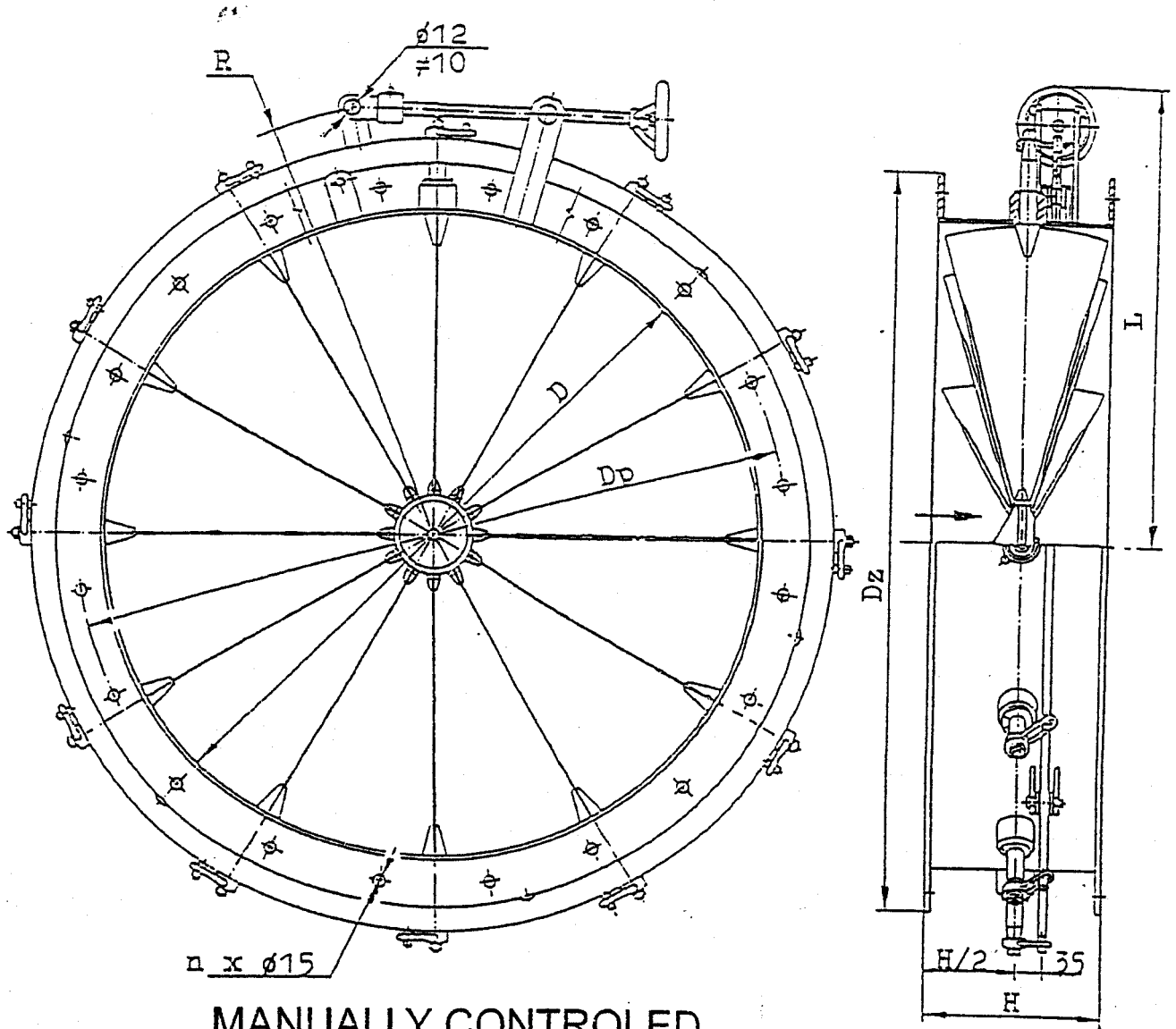
- direction of impeller revolutions: right (RD), left (LG)
- make: standard (to 40 °C), heat resistant (41+350 °C),
corrosion resistant (to 300 °C).
- flange: light, heavy.

N Y B O R G A S

N-6230 SYKKYLVEN, NORWAY
TEL +47 70 25 40 80 - FAX +47 70 25 29 08
office@nyborgfan.com - www.nyborgfan.com



REGULATING APPARATUS A-80 and A-100 TYPE



MANUALLY CONTROLLED

Type	D	Dp	Dz	H	L	R	n	Weight
	mm							pc
A-80	800	873	924	224	585	541	20	80
A-100	1000	1073	1124	280	685	641	24	108

When ordering please state the following data:

- direction of impeller revolutions: right (RD), left (LG)
- make: standard (to 40 °C), heat resistant (+1÷+350 °C),
corrosion resistant (to 300 °C).

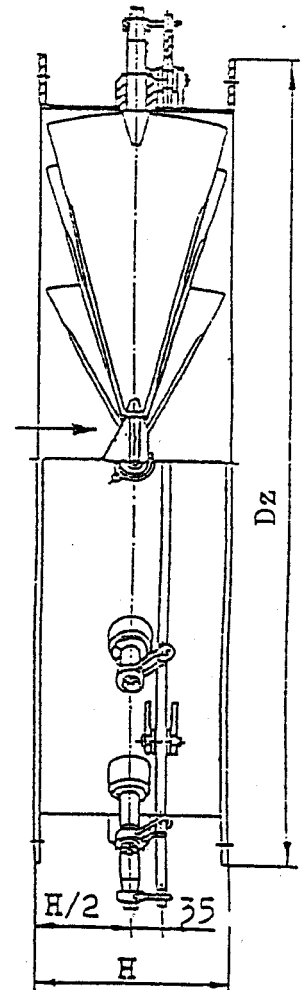
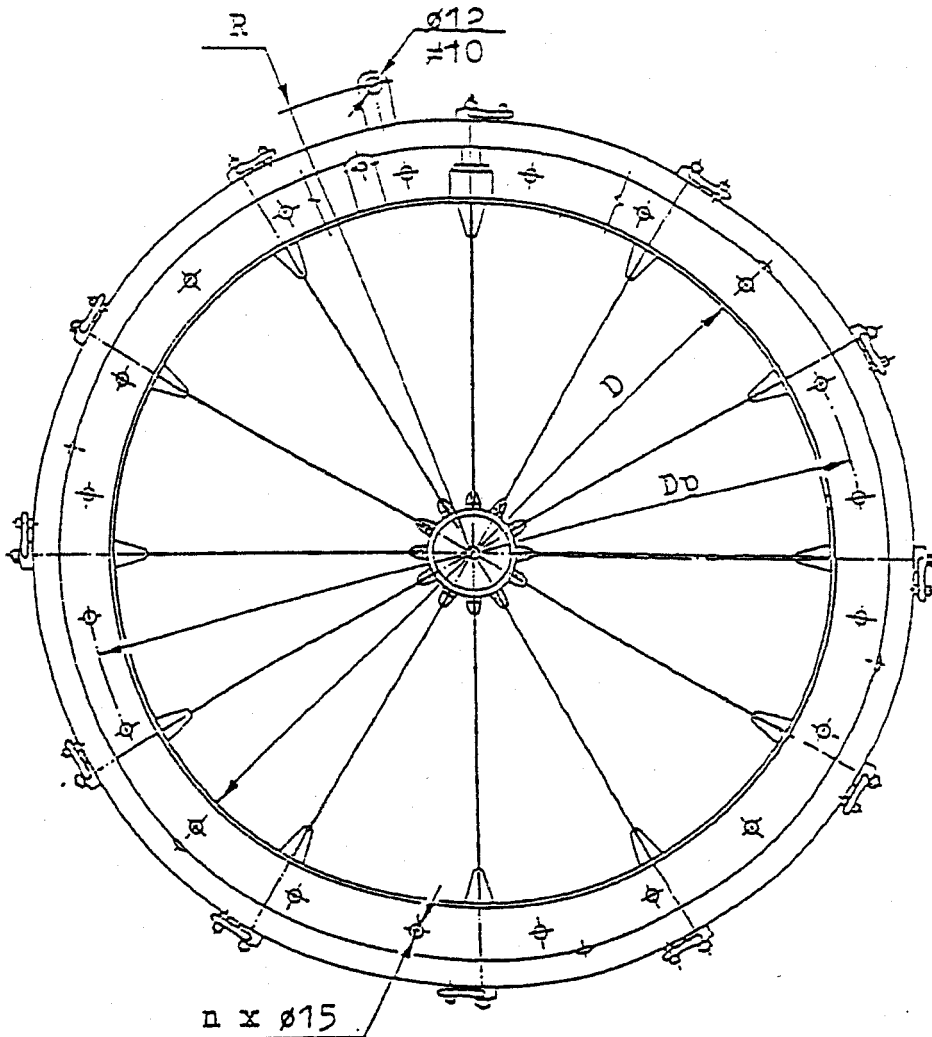
Malbork, July 2000 r.

N Y B O R G A S

N-6230 SYKKYLVEN, NORWAY
TEL +47 70 25 40 80 - FAX +47 70 25 29 08
office@nyborgfan.com - www.nyborgfan.com



REGULATING APPARATUS A-80 and A-100 TYPE



ADJUSTED BY SERVOMOTOR

Type	D	Dp	Dz	H	R	n	Weight
	mm						pc
A-80	800	873	924	224	541	20	78,5
A-100	1000	1073	1124	280	641	24	106,5

When ordering please state the following data:

- direction of impeller revolutions: right (RD), left (LG)
- make: standard (to 40 °C), heat resistant (41+350 °C), corrosion resistant (to 300 °C).

Malbork, July 2000 r.

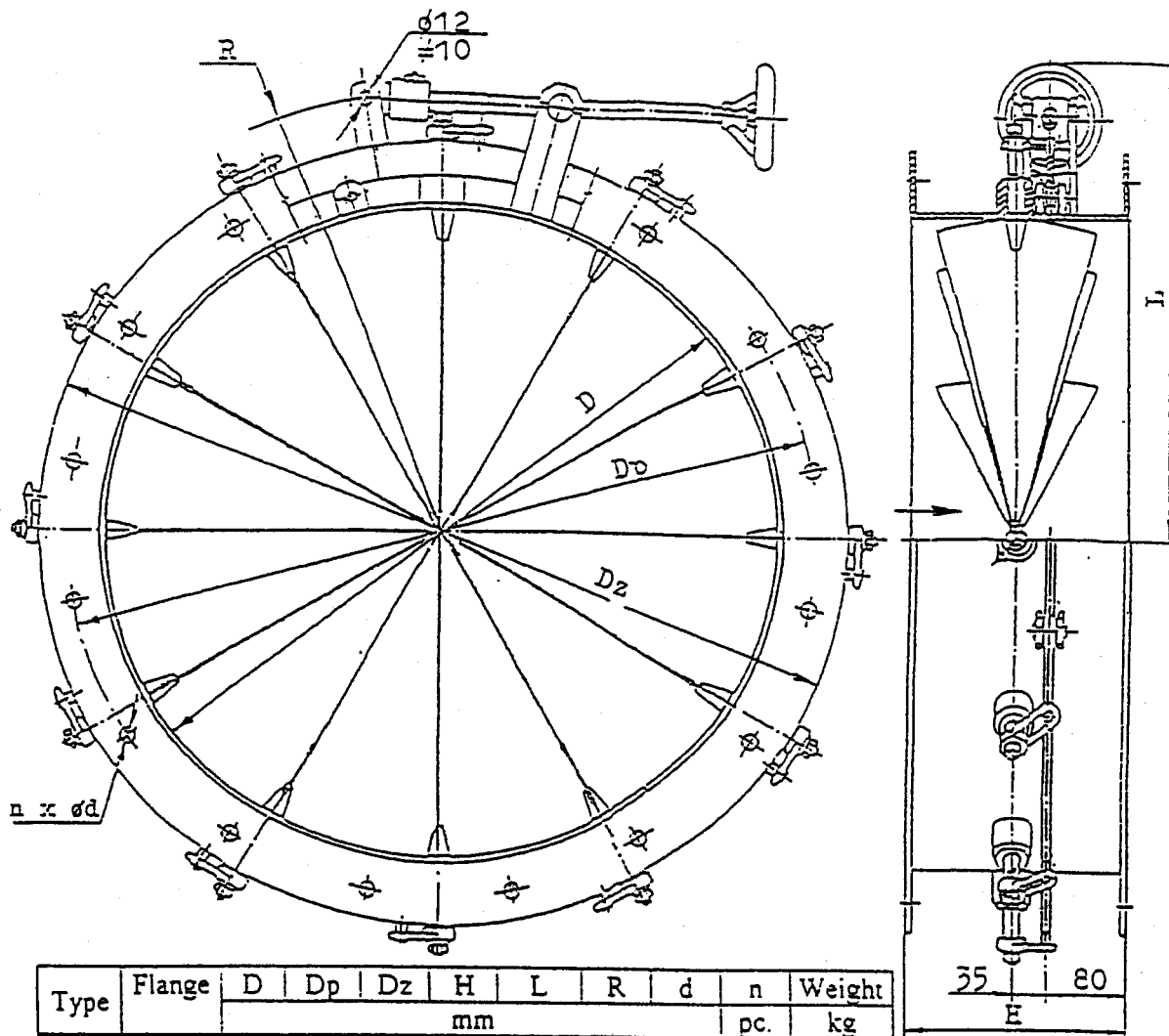
N Y B O R G A S

N-6230 SYKKYLVEN, NORWAY
 TEL +47 70 25 40 80 - FAX +47 70 25 29 08
 office@nyborgfan.com - www.nyborgfan.com



REGULATING APPARATUS A-40, A-50, A-56 and A-63 TYPE

MANUALLY CONTROLLED



Type	Flange	D	Dp	Dz	H	L	R	d	n	Weight
		mm								pc.
A-40	light	400	432	456	180	355	311	10	12	27.4
	heavy		446	484		365	322	12		30.3
A-50	light	500	532	556	200	400	361	10	16	35.0
	heavy		573	622		430	391	15		47.2
A-56	light	560	592	622	210	430	391	10	16	40.3
	heavy		633	684		465	422	15		52.3
A-63	light	630	662	692	220	465	426	10	16	45.6
	heavy		703	754		500	457	15		58.3

When ordering please state the following data:

- direction of impeller revolutions: right (RD), left (LG)
- make: standard (to 40 °C), heat resistant (41+350 °C), corrosion resistant (to 300 °C).
- flange: light, heavy.

Malbork, July 2000 r.

N Y B O R G A S

N-6230 SYKKYLVEN, NORWAY
TEL +47 70 25 40 80 - FAX +47 70 25 29 08
office@nyborgfan.com - www.nyborgfan.com