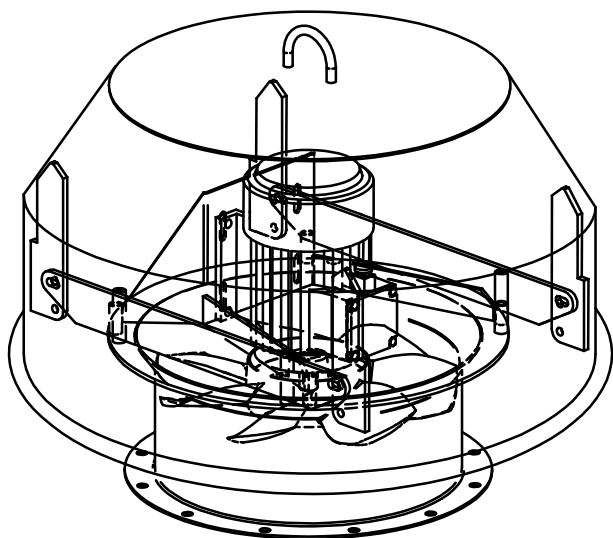


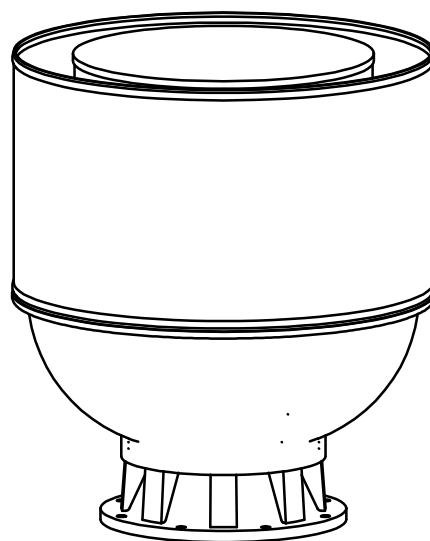


# FANS FOR DUCT-TOP MOUNTING

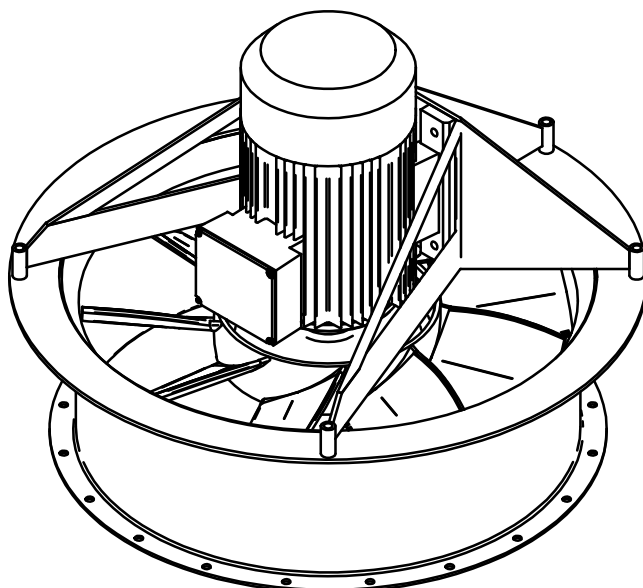
PTV - R



SKV - B



MPV - A1E

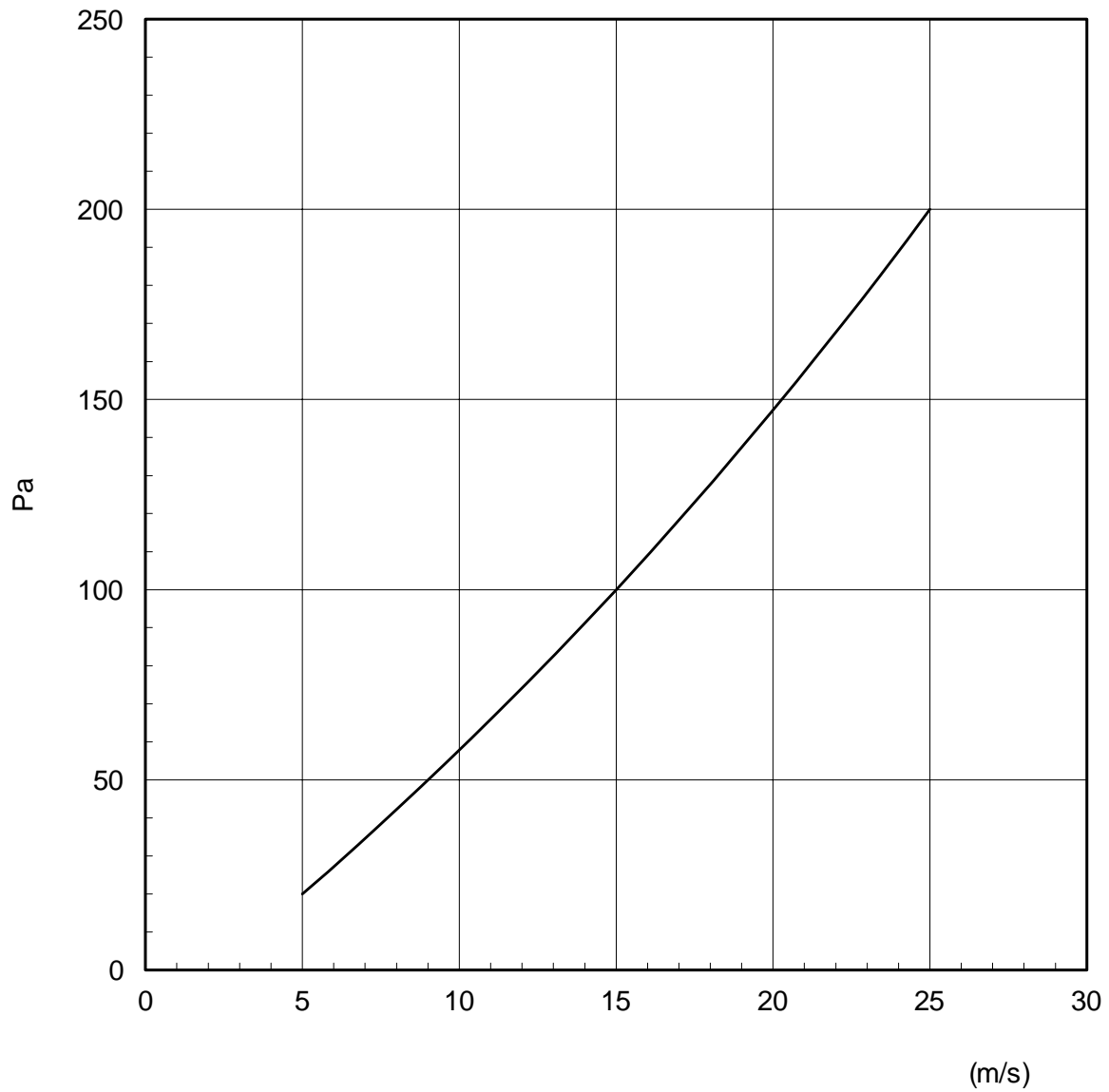


N Y B O R G A S

N-6230 SYKKYLVEN, NORWAY  
TEL +47 70 25 40 80 - FAX +47 70 25 29 08  
office@nyborgfan.com - www.nyborgfan.com



# PRESSUREDROPT IN COWLS PTV-PPV



N Y B O R G A S

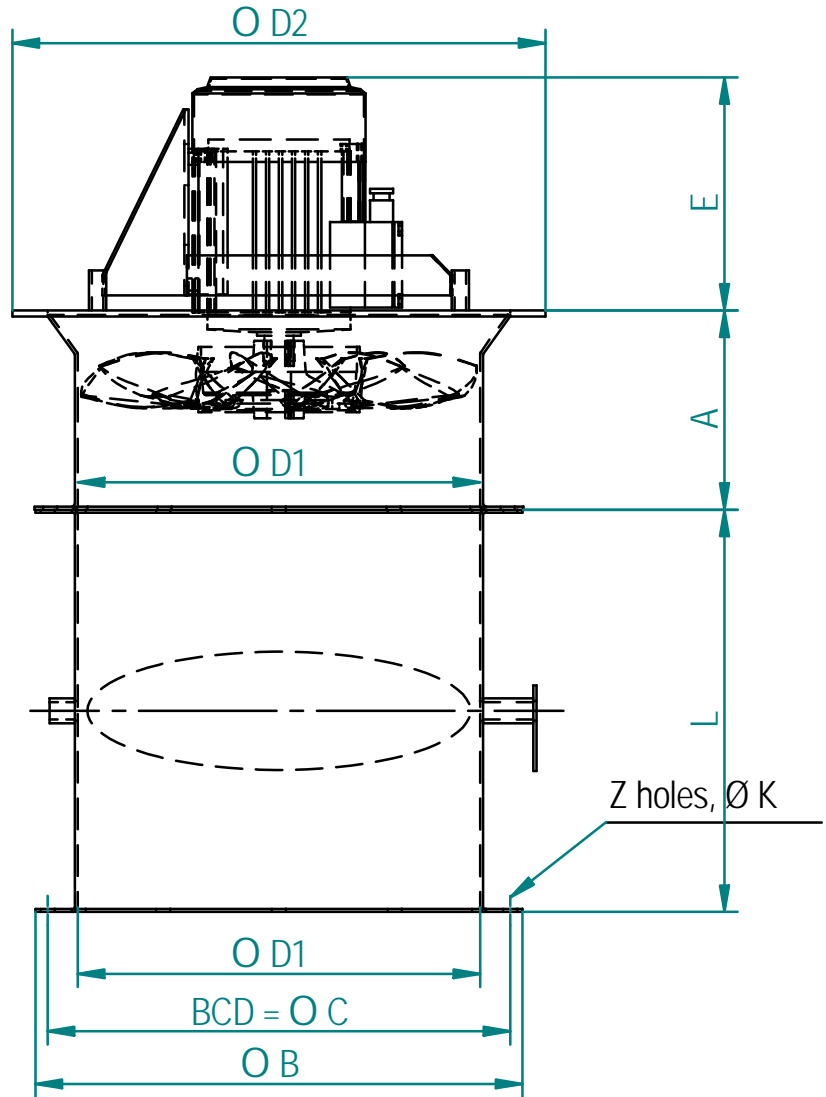
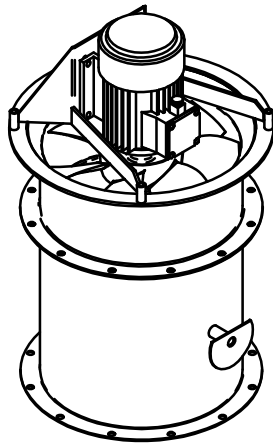
nyborg18.prs-4

N-6230 SYKKYLVEN, NORWAY  
TEL +47 70 25 40 80 - FAX +47 70 25 29 08  
office@nyborgfan.com - www.nyborgfan.com



**NYBORG AXIAL FAN**  
 c/w with Wire Guard and Shut-Off Damper  
 All Hot Dipped Galvanized

**MPV -  
 A1E/LSS**



MPV	A	B	C	Ø D1	Ø D2	E	L	F/ T1	Z x K	Weight
315	194	384	360	315	430		315	3	8x14	
355	195	434	405	355	485		355	3	8x14	
400	198	484	460	400	530		400	3	12x14	
450	215	534	510	450	595		450	3	12x14	
500	250	584	560	500	660		500	3	12x14	
630	260	706	698	630	820		630	4	16x14	
710	320	806	775	710	900		710	4	16x14	
800	320	906	870	800	990		800	4	16x19	
900	320	1028	980	900	1110		900	5	16x19	
1000	400	1128	1080	1000	1275		1000	5	20x19	

4-2223

N Y B O R G A S

R.Berge  
 13/12-02

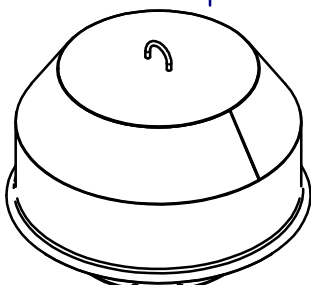
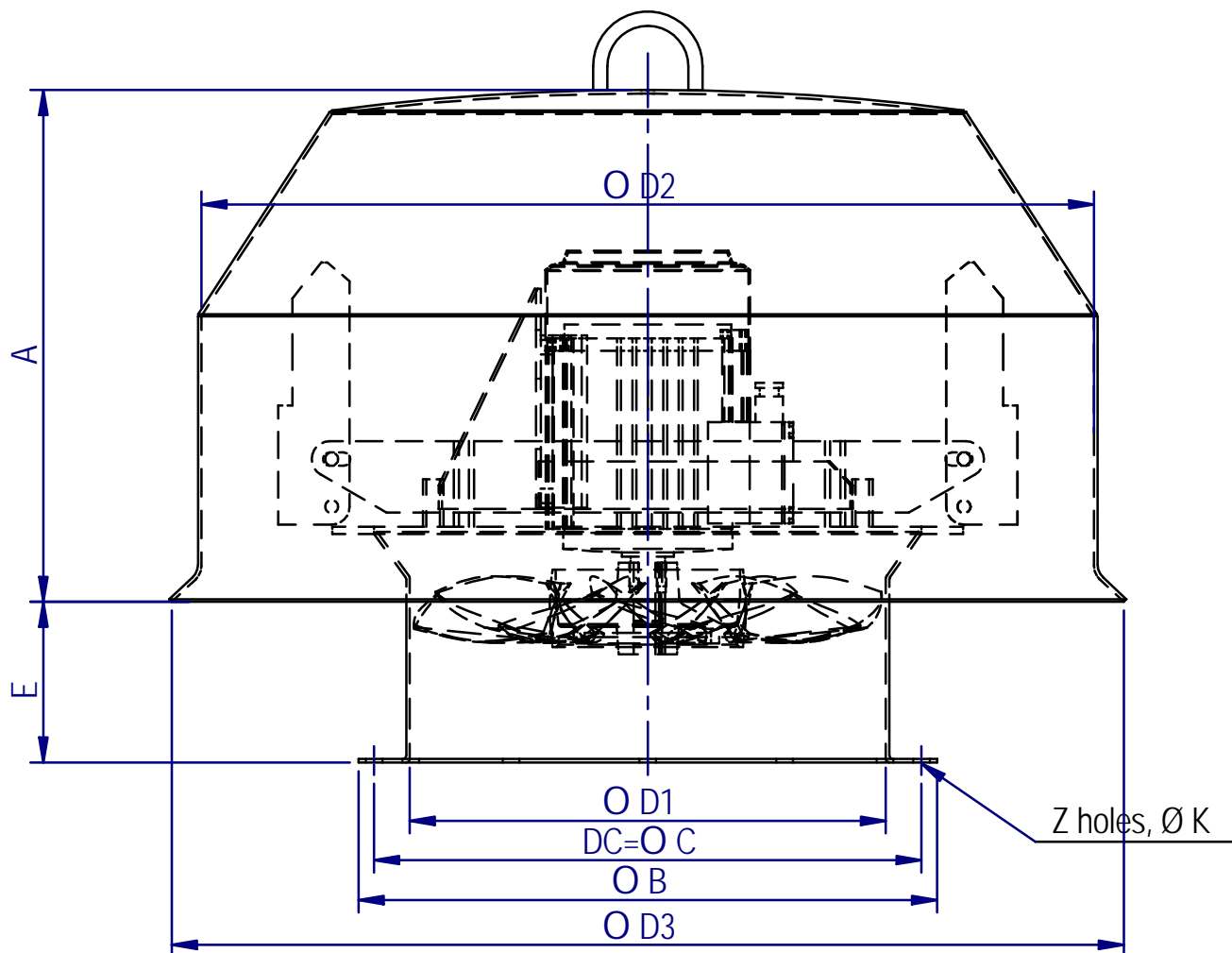
N-6230 SYKKYLVEN, NORWAY  
 TEL +47 70 25 40 80 - FAX +47 70 25 29 08  
 office@nyborgfan.com - www.nyborgfan.com

**MPV -  
 A1E/LSS**



**NYBORG AXIAL FAN**  
For Duct-Top Installation c/w Hood  
All Hot-Dipped Galvanized

**PTV - A1RO**



PTV	A	B	C	Ø D1	Ø D2	Ø D3	E	F/ T1	T2	Z x K	Weight fan (kg)
250	305	334	310	250	650	700	162	3	2	8x12	38
315	305	400	360	315	650	700	154	3	2	8x14	41
355	305	440	405	355	650	700	155	3	2	8x14	44
400	470	484	460	400	900	960	150	3	3	12x14	72
450	470	534	510	450	900	960	167	3	3	12x14	77
500	470	584	560	500	900	960	202	3	3	12x14	84
630	550	736	698	630	1300	1380	185	4	3	16x14	145
710	550	816	775	710	1300	1380	245	4	3	16x14	165
800	650	906	870	800	1650	1740	340	4	4	16x19	280
900	650	1028	980	900	1650	1740	340	5	4	16x19	305
1000	870	1128	1080	1000	1850	1940	245	5	4	20x19	

4-2221

N Y B O R G A S

R.Berge

N-6230 SYKKYLVEN, NORWAY  
TEL +47 70 25 40 80 - FAX +47 70 25 29 08  
office@nyborgfan.com - www.nyborgfan.com

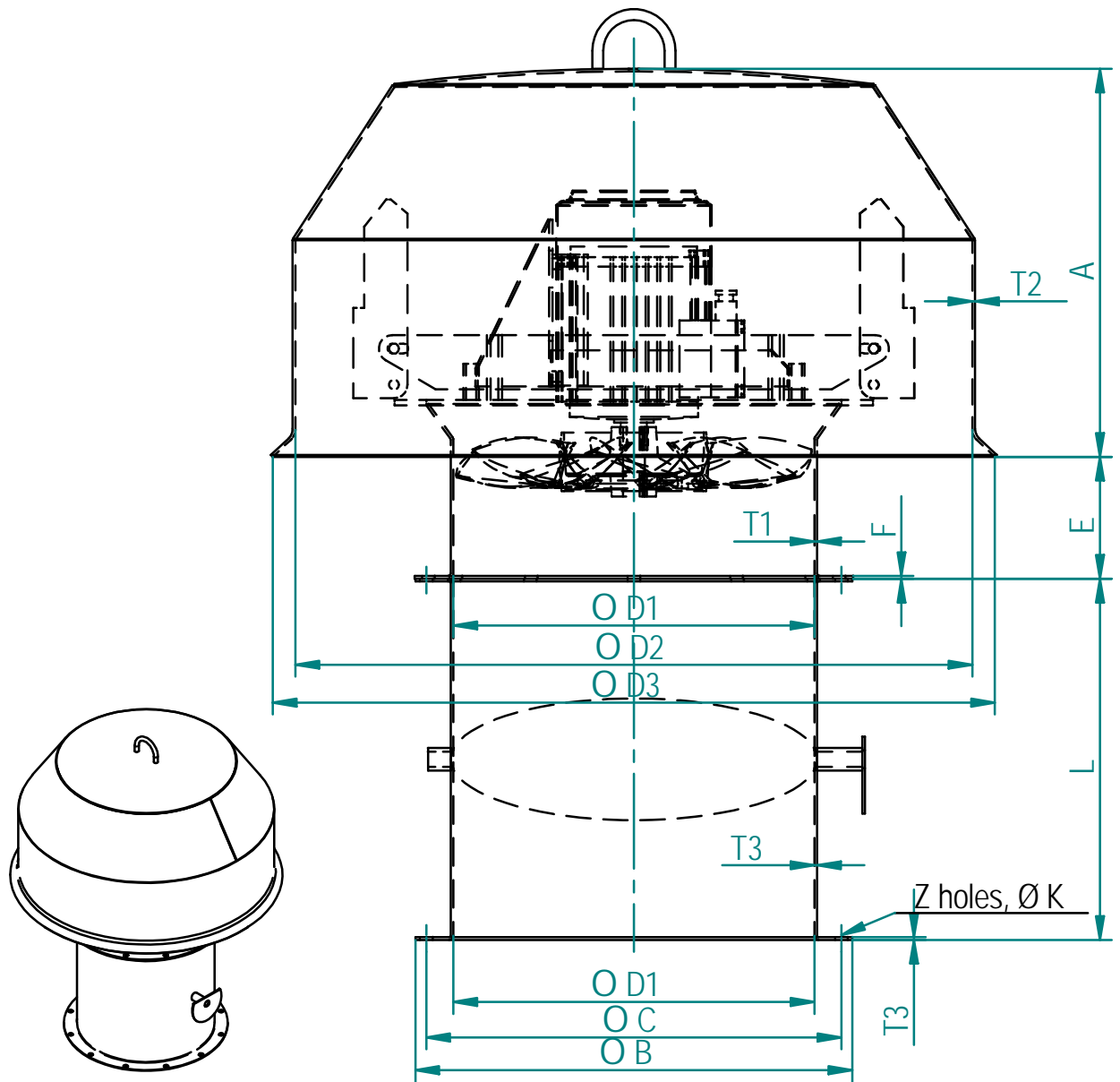
13/12-02

**PTV - A1RO**



**NYBORG AXIAL FAN**  
 For Duct-Top installation c/w Hood and Shut-Off Damper  
 All Hot Dipped Galvanized

**PTV - A1RO/LSS**



MPV	A	B	C	Ø D1	Ø D2	Ø D3	E	L	F/T1	T2	T3	Z x K	Weight
250	305	334	310	250	650	700	162	250	3	2	3	8x12	
315	305	400	360	315	650	700	154	315	3	2	3	8x14	
355	305	440	405	355	650	700	155	355	3	2	3	8x14	
400	470	484	460	400	900	960	150	400	3	3	3	12x14	
450	470	534	510	450	900	960	167	450	3	3	3	12x14	
500	470	584	560	500	900	960	202	500	3	3	3	12x14	
630	50	706	698	630	1300	1380	185	630	4	3	4	16x14	
710	550	816	775	710	1300	1380	245	710	4	3	4	16x14	
800	650	906	870	800	1650	1740	340	800	4	4	4	16x19	
900	650	1028	980	900	1650	1740	340	900	5	4	5	16x19	
1000	750	1120	1080	1000	1850	1940	245	1000	5	4	5	20x19	

4-2222

N Y B O R G A S

R.Berge

N-6230 SYKKYLVEN, NORWAY  
 TEL +47 70 25 40 80 - FAX +47 70 25 29 08  
 office@nyborgfan.com - www.nyborgfan.com

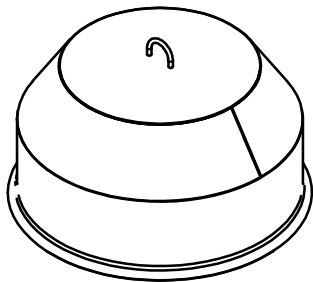
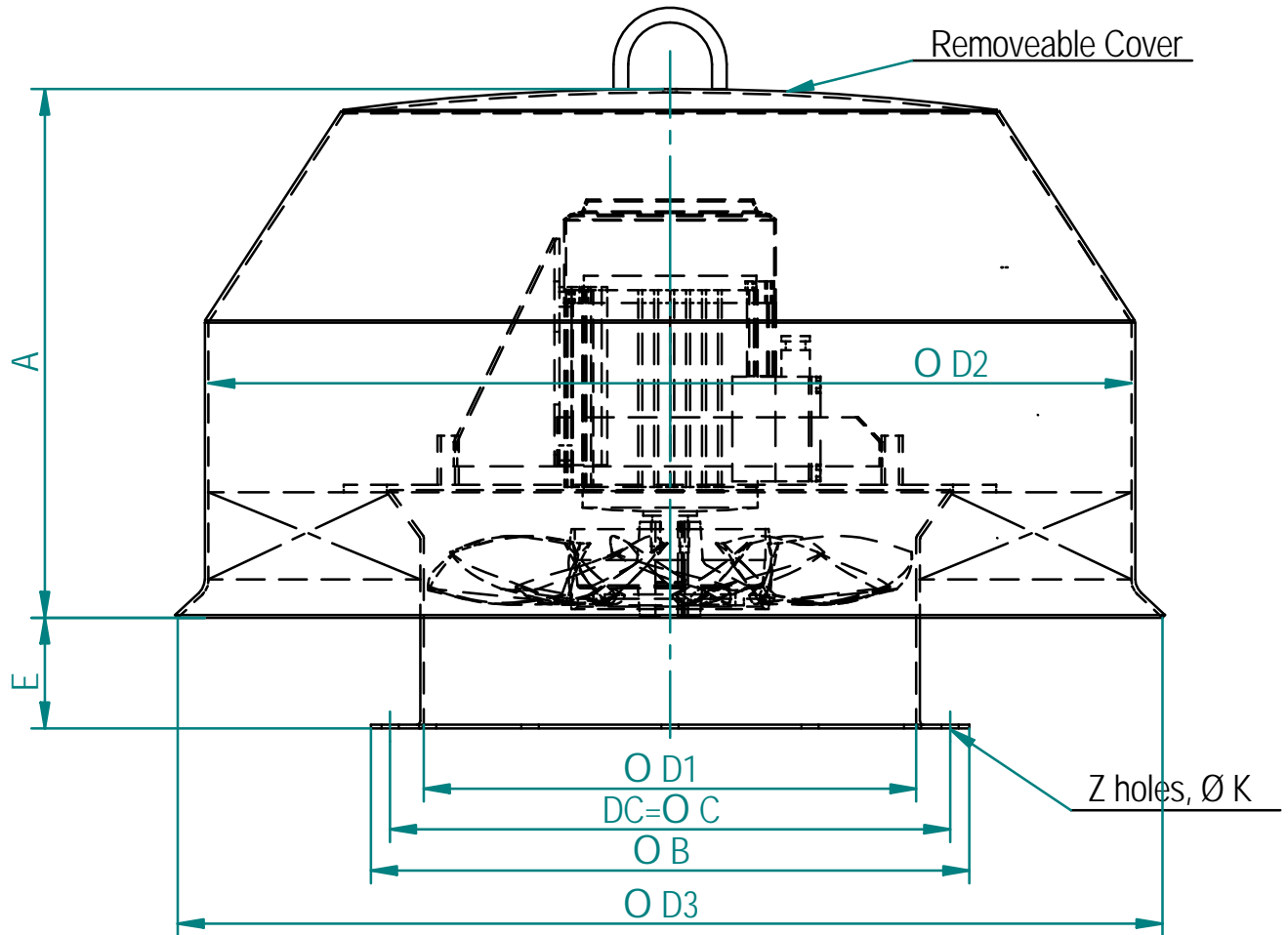
12/12-02

**PTV - A1RO/LSS**



**NYBORG AXIAL FAN**  
 For Duct-Top Installation c/w Hood  
 All Hot-Dipped Galvanized

**PTV - A1RF**



Size	A	B	C	Ø D1	Ø D2	Ø D3	E	F/ T1	T2	Z x K	Weight
1000	830	1128	1080	1000	1800	1900	200	5	4	20xØ19	
1120	830	1248	1200	1120	2000	2100	200	5	4	20xØ19	
1250	950	1380	1320	1250	2200	2300	250	6	5	24xØ14	

4-2242

N Y B O R G A S

R.Berge  
13/12-02

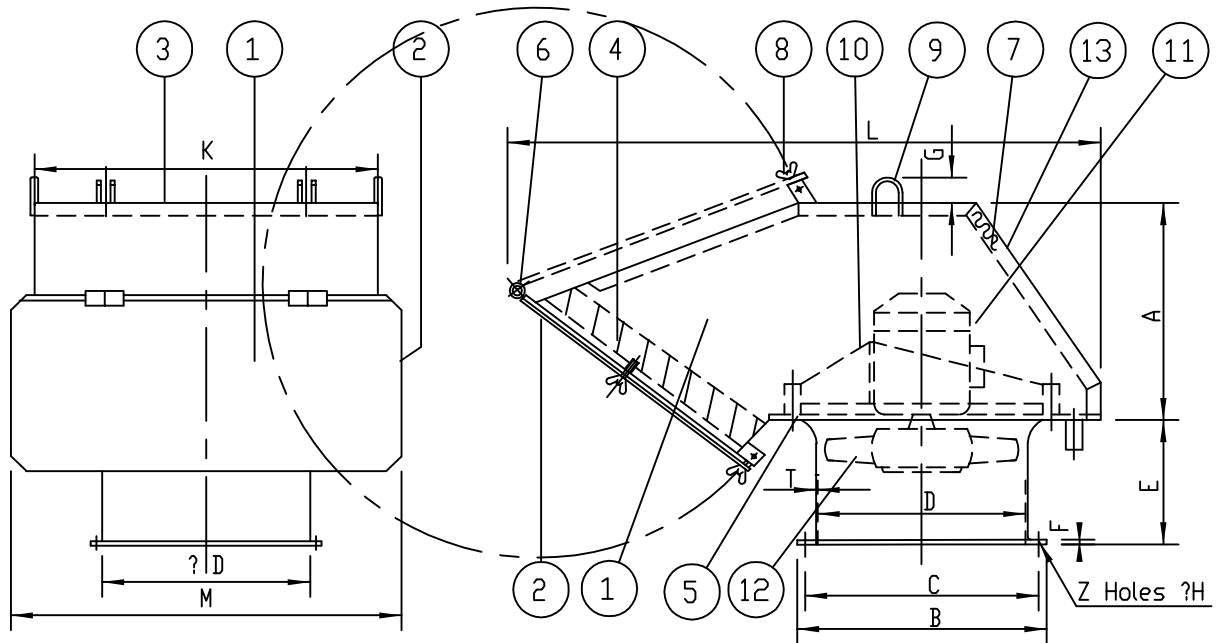
N-6230 SYKKYLVEN, NORWAY  
 TEL +47 70 25 40 80 - FAX +47 70 25 29 08  
 office@nyborgfan.com - www.nyborgfan.com

**PTV - A1RF**



# AXIAL FLOW FAN

PTV-A1F  
LG/D



- |  |  |
|--|--|
| <ul style="list-style-type: none"> <li>① FAN COWL. Matl.:<br/>All Welded Steel Plates.</li> <li>② COVER PLATE,<br/>Weather Proof in Closed Position.</li> <li>③ TOP COVER.</li> <li>④ JEALOUSY.</li> <li>⑤ WIRE MESH GUARD,<br/>or Spark Catcher Wire Mesh Guard</li> <li>⑥ HINGES. Matl.: Non-Corrosive.</li> </ul> | <ul style="list-style-type: none"> <li>⑦ SOUND INSULATION. Matl.:<br/>Mineral Fibre.</li> <li>⑧ SCREW JOINT. Matl.:<br/>Non-Corrosive.</li> <li>⑨ LIFTING HOOKS.</li> <li>⑩ MOTOR BRACKET.</li> <li>⑪ MOTOR.</li> <li>⑫ IMPELLER.</li> <li>⑬ COVER.</li> </ul> |
|--|--|

SIZE NO	A	B	C	D	E	F	G	K	L	M	T1	Z	H
260													
300	333	387	360	300	164	8		430	710	486	3	8	14
350	353	437	405	350	200	8		470	745	526	3	8	14
400	403	488	460	400	200	8		480	800	546	3	12	14
450													
500	438	589	560	500	254	8		640	890	698	3	12	14
550	450	660	630	550	250	10		690	1150	746	4	16	14
630	640	740	698	630	293	10	50	820	1520	878	4	16	14
700	704	810	775	700	296	10	50	900	1600	968	4	16	14

15/08-94

R.Berge

ptv-a1flgd-m

**N Y B O R G A S**

N-6230 SYKKYLVEN - NORWAY

Tel: +47 70 25 40 80 - Fax +47 70 25 29 08

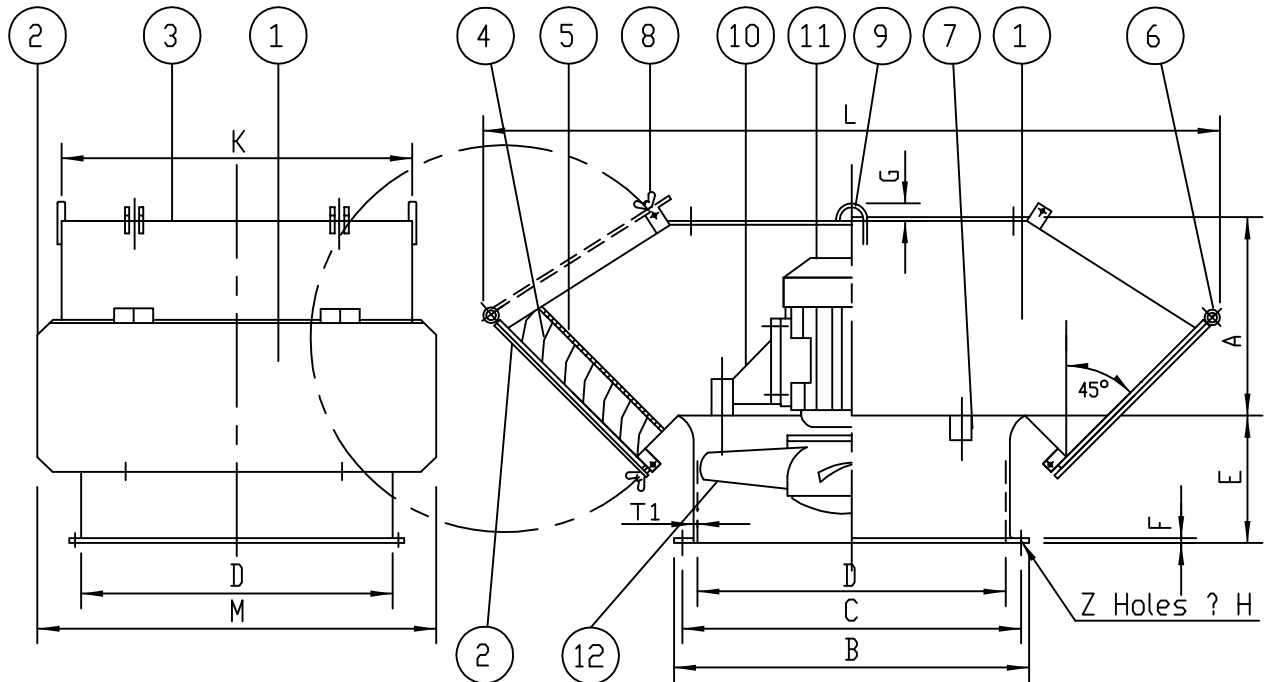
E-MAIL: office@nyborgfan.com - WEB: www.nyborgfan.com

PTV-A1F  
LG/D



# AXIAL FLOW FAN

PTV-A12F  
GS/D



- ① FAN COWL. Matl.: All-Welded Steel Plates.
- ② COVER PLATE, Weather Proof in Closed Position.
- ③ TOP COVER.
- ④ JEALOUSY.
- ⑤ WIRE MESH GUARD, or Spark Catcher Wire Mesh Guard.
- ⑥ HINGES. Matl.: Non-Corrosive.
- ⑦ CABLE ENTRY, With Packing Nibble.
- ⑧ SCREW JOINT. Matl.: Non-Corrosive.
- ⑨ LIFTING HOOKS.
- ⑩ MOTOR BRACKET.
- ⑪ MOTOR.
- ⑫ IMPELLER.

SIZE NO	A	B	C	D	E	F	G	K	L	M	T1	Z	H
630	640	740	698	630	293	10	50	828		828	4	16	14
700	508	810	775	700	307	10	50	720		800	4	16	14
800	530	912	870	800	320	10	50	900	1850	970	4	16	19
900	600	1008	980	900	320	10	90	1000	2000	1070	5	16	19
1000		1108	1080	1000	410	10	90	1400		1490	5	20	19

25/02-93

R.Berge

PTV12FGS-M

**N Y B O R G A S**

N-6230 SYKKYLVEN - NORWAY

Tel: +47 70 25 40 80 - Fax +47 70 25 29 08

E-MAIL: office@nyborgfan.com - WEB: www.nyborgfan.com

PTV-A12F  
GS/D





# NYBORG VERTICAL DISCHARGE CENTRIFUGAL FAN

TYPE  
**SKV – B10**

FOR DUCT-TOP INSTALLATION



## GENERAL

NYBORG "SKV" fan is designed primarily for use onboard ships, and is available in 8 different sizes. The fan has a great area of application, as examples we can mention extraction from galleys, mess room, cabins, lavatories, washroom, crab-and prawn boilers, etc.

The air stream is straightened upwards, and if any overflow water occur, the fan is supplied with drain gap.

## MATERIALS

Both impeller and fan casing are made of salt-and ammonia resistive aluminium alloy, and all bolts and nuts used in the construction are non-corrosive steel.

## MOTOR

The fan is delivered with a totally enclosed standard motor in compliance with the requirements of the classification societies. The motor is also protected from the air steam with the help of a special motor cowl. This is important if the air stream contents corrosive fumes or water steam.

## EQUIPMENT

As standard the fan is delivered with a top-mounted wire mesh guard in Aisi316 execution.

## ACCESSORIES

- Countra flange

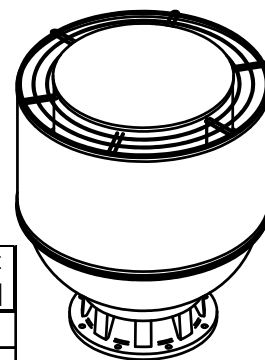
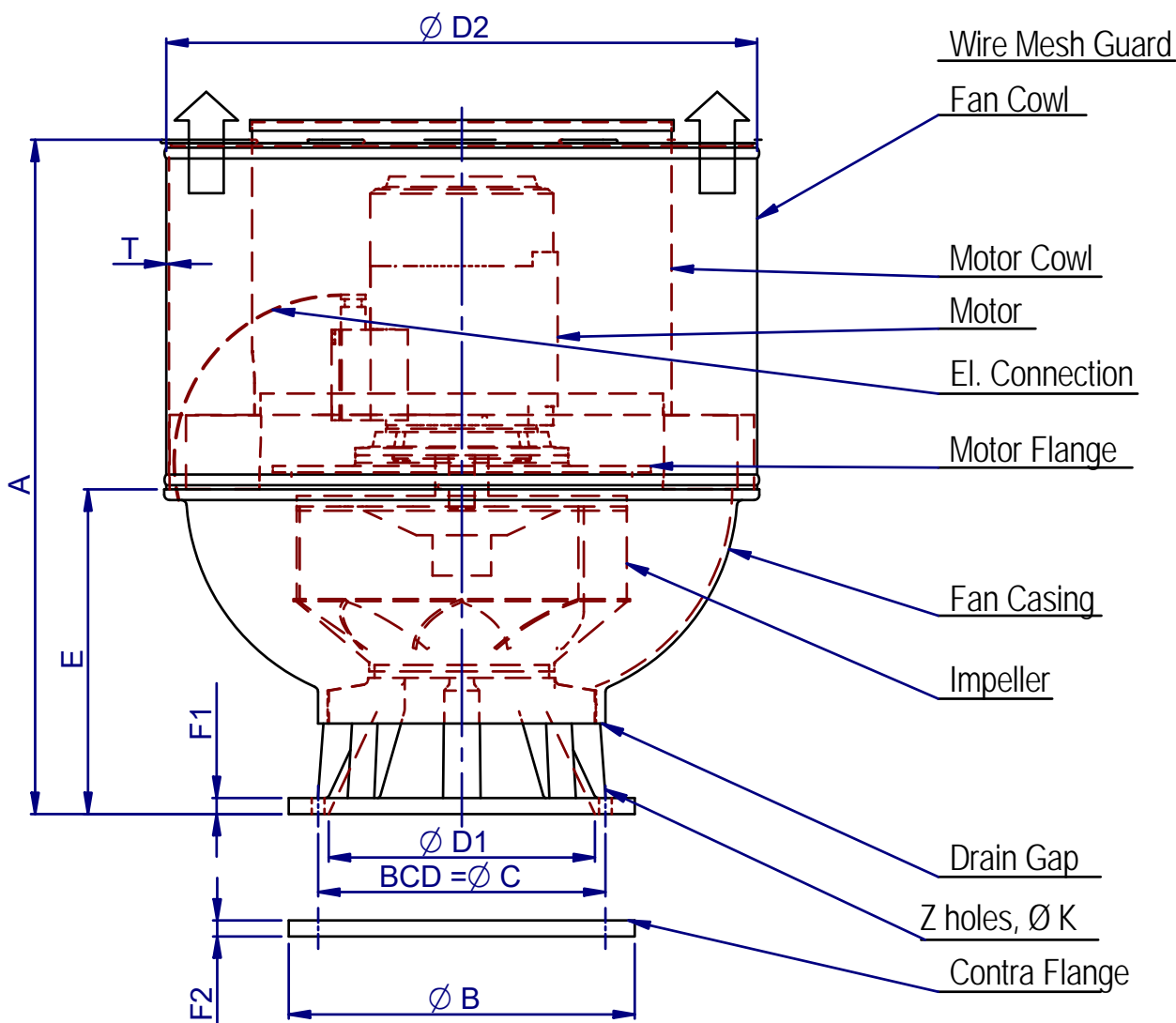
**N Y B O R G A S**

N-6230 SYKKYLVEN, NORWAY  
TEL +47 70 25 40 80 - FAX +47 70 25 29 08  
office@nyborgfan.com - www.nyborgfan.com



# NYBORG VERTICAL DISCHARGE CENTRIFUGAL FAN

**SKV - B10**



SKV	A	B	C	D1	D2	E	F1	F2	T	Z x K	Weight fan [kg]
125	440	200	170	125	372	230	10	6	2	4x11	9
200	575	265	240	200	515	245	12	6	2,5	6x11	25
250	630	345	310	250	570	305	15	6	2,5	8x12	36
300	580	387	360	300	650	265	15	8	2,5	8x14	45
350	610	437	405	350	720	290	15	8	3	8x14	55
400	690	488	460	400	770	275	17	8	3	12x14	
450	705	550	510	450	825	210	17	10	4	12x14	

4-2143

N Y B O R G A S

R.Berge  
16/12-02

N-6230 SYKKYLVEN, NORWAY  
TEL +47 70 25 40 80 - FAX +47 70 25 29 08  
office@nyborgfan.com - www.nyborgfan.com

**SKV - B10**



# SELECTION TABLE WITH AIR VOLUMES

## SKV B10

Fan data at 20°C.,  $\rho = 1,205\text{kg/m}^3$

SKV Size	rpm	Air Volumes (m <sup>3</sup> /h) by Static Pressure (Pa)											power cons 50Hz [kW]	inlet noise LwA / SPL 1m,+2dB [dBA]	outlet noise LwA /SPL 1m, +-2dB [dBA]	
		0	100 Pa	200 Pa	300 Pa	400 Pa	500 Pa	600 Pa	700 Pa	800 Pa	900 Pa	1000 Pa				
125 B	2800	430	350	280	210	120								0,18		
125 F	1400	430	315	210										0,18		
	2800	835	765	725	700	680	645	610						0,55		
200 B	2800	1190	1120	985	890	815	745	680	580					0,37	86 / 75	89 / 86
200 F	900	650	430											0,18	64 / 53	68 / 57
	1400	1040	815	700	630	460								0,25	74 / 63	78 / 67
250 B	2800	2460	2300	2160	2000	1830	1680	1480	1260	1115				1,1	90 / 79	94 / 83
250 F	900	1050	765	470										0,18	68 / 57	72 / 61
	1400	1680	1490	1230	1070	920	750							0,37	78 / 67	82 / 71
300 B	900	2140	1770	370										0,25	64 / 53	70 / 59
	1400	2900	2750	2450	1680									0,37	74 / 63	80 / 69
	2800	5950	5800	5720	5650	5500	5350	5200	5050	4900	4600	4280		2,2	90 / 79	96 / 85
350 B	700	2540	1920											0,25	63 / 52	67 / 56
	900	3200	2750	2150										0,37	69 / 58	73 / 62
	1400	4600	4280	3980	3360	2150								0,55	79 / 68	83 / 72
400 B	700	3670	3050	1830										0,37	66 / 55	69 / 58
	900	4600	4280	3670	2350									0,55	72 / 61	75 / 64
	1400	7350	7040	6430	5800	5200	4600							1,1	82 / 71	85 / 74
450 B	700	5350	3980	2050										0,55		
	900	6730	6100	4850	2550									0,75		
	1400	10100	9800	9200	8550	7950	7030	6100	5200					2,2		
	rpm	0	140 Pa	290 Pa	430 Pa	580 Pa	720 Pa	860 Pa	1000 Pa	1150 Pa	1300 Pa	1440 Pa	60 Hz			
125 B	3400	515	420	335	250	145								0,3		
125 F	1700	515	380	275										0,3		
	3400	1000	915	870	840	815	770	730						0,9		
200 B	3400	1420	1340	1180	1060	970	890	810	700					0,66	91 / 80	94 / 83
200 F	1100	780	510											0,3	68 / 57	73 / 62
	1700	1250	980	840	750	550								0,45	78 / 67	82 / 71
250 B	3400	2950	2750	2600	2400	2200	2020	1780	1500	1330				1,8	94 / 83	100 / 89
250 F	1100	1260	920	560										0,3	72 / 61	76 / 65
	1700	2000	1780	1470	1280	1100	900							0,66	82 / 71	86 / 75
300 B	1100	2560	2120	440										0,45	69 / 58	74 / 63
	1700	3480	3300	2940	2010									0,66	79 / 68	84 / 73
350 B	850	3050	2300											0,45	67 / 56	71 / 60
	1100	3840	3300	2580										0,66	73 / 62	77 / 66
	1700	5500	5130	4750	4030	2580								0,9	83 / 72	87 / 76
400 B	850	4400	3660	2200										0,66	70 / 59	73 / 62
	1100	5500	5130	4400	2850									0,9	77 / 66	80 / 69
	1700	8820	8450	7700	6950	6240	5500							1,8	86 / 75	89 / 78
450 B	850	6400	4770	2460										0,9		
	1100	8070	7320	5800	3050									1,3		
	1700	12100	11750	11000	10250	9540	8430	7320	6240					3,6		

**NYBORG AS**

Haugsethvn 72, N-6230 Sykkylven, Norway  
 TEL +47 7025 4080 - FAX +47 7025 2908  
 office@nyborgfan.com - www.nyborgfan.com