



APPLICATIONS

Typical application is mechanical ventilation /gas freeing of cargo tanks on tankers. To be mounted onto tank openings on deck.

DESIGN

The fan is lightweight and designed for maximum portability.

Either to be equipped with water or air driven motor.

The fan opening is designed to fit standard tank opening of $\varnothing 318\text{mm}$.

With capacities upto 14.000 m³/h

The PCD diameter can be adjusted to suit customer's requirements.

The flexible duct has a loose flange connection to the fan, so it can be handled and stored separately.

EXECUTION

The fan is made of sea water resistant aluminium, primed and painted. The wire guard is in stainless steel.

OPTIONAL EXECUTION

- Aisi316 execution.

MOTOR

The fan is delivered with either water- or air driven motor

SPECIAL DESIGN

- With special division circle/flange pattern
- With other opening size

CLASSIFICATION SOCIETIES

The fan is ATEX approved and satisfies the demands of the various classification societies.

ACCESSORIES

- Collapsible air duct (supply and exhaust)
- Flat air duct (only supply)
- Trolley

ACCESSORIES (water driven fan)

- Water hoses inlet/outlet
- Water hoses for high water pressure
- Different connections for water hose

ACCESSORIES (air driven fan)

- Air hose for motor
- Air filter (recommended)
- Oiler (recommended for longer life)
- Silencer for air motor
- Manometer
- Regulator (with lock)



PORTABLE GAS FREEING FAN

TYPE
MPV – A1EGSX

Fan, general		Fan with air motor	
Fan diameter	ø315, ø350, ø400, ø450	Weight fan with motor	25 kg
Fan material	Sea water resistant alum	Motor material, coating	Powder coated cast iron
Wire mesh	Stainless steel	Recommended Air working pressure	6,3 bar (motor limited above this)
Impeller	EX proof, antistatic reinforced polypropylene	Max air working pressure for equipment	10 bar
Operation	Supply or exhaust (must be specified when ordered)	Motor alternatives (motor power @ max air consumption) at 6,3 bar	<ul style="list-style-type: none">• 3,5kW@85 liter / s• 2,3kW@65 liter / s• 1,25kW@35 liter / s
Standard connection	To fit standard tank opening of ø318mm.	Air hose connection	Claw quick connection
Flange	Standard: BDC = ø390mm, 10 and 12 holes (2 patterns)	Rotation direction	CW seen from motor shaft side
Flexible duct	non collapsible or flat (flat only for supply fan)	Air hose dimension	0,75" - 1"
Fan with water motor			
Fan weight with motor	From 24 to 26 kg		
Motor	Water driven		
Execution, material	Bronze		
Water working pressure	Max 8 bar (optional max 10bar)		
Water pressure optional	Up to 10 bar		
Standard connections water hose	2" BSP male (optional JIS)		
Water consumption	Max 460 l/min @6 bar Max 520 l/min @7 bar Max 550 l/min @8 bar		
Rotation direction	CCW seen from motor shaft side		

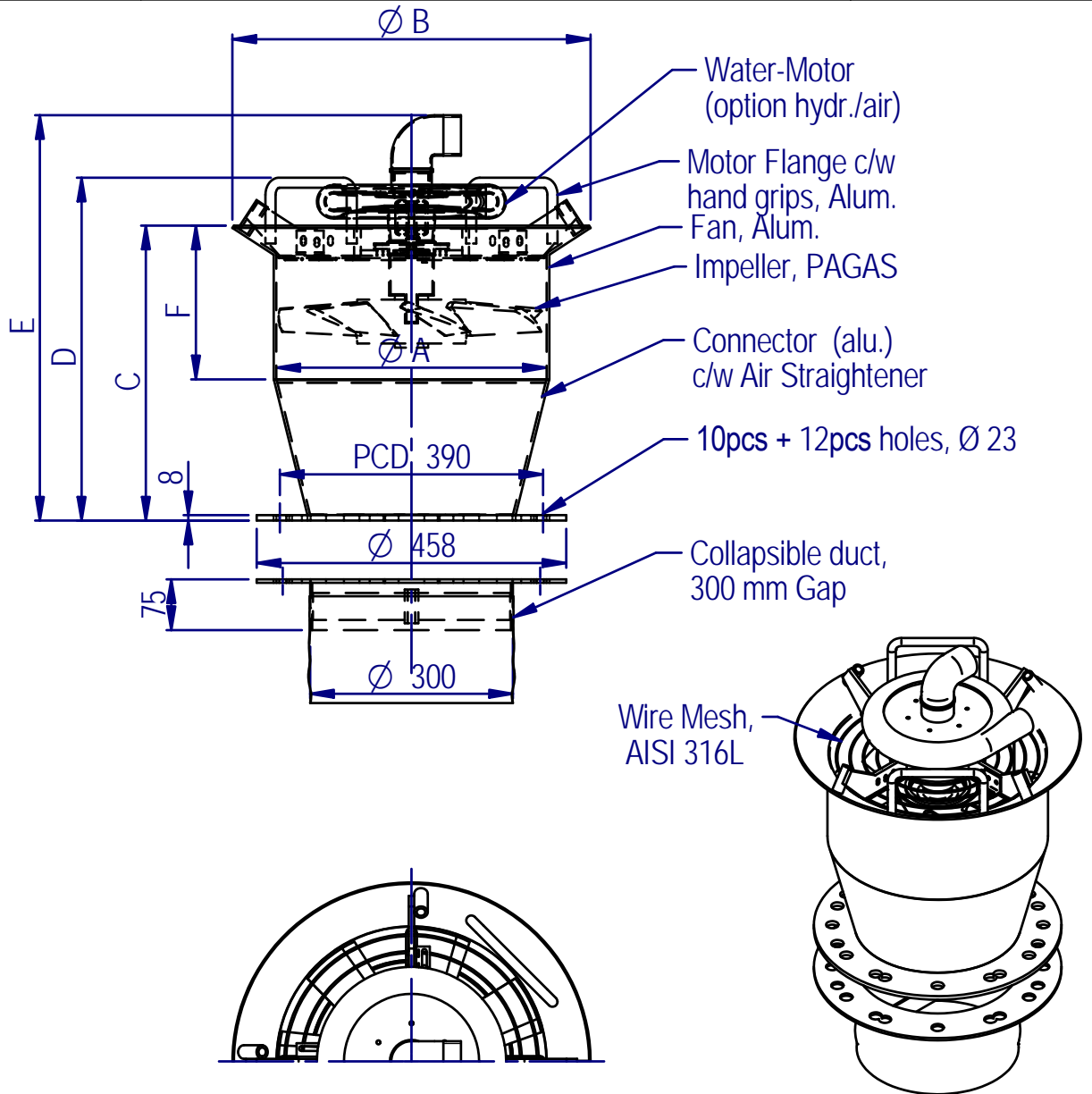
N Y B O R G A S

N-6230 SYKKYLVEN, NORWAY
TEL +47 70 25 40 80 - FAX +47 70 25 29 08
office@nyborgfan.com - www.nyborgfan.com



PORTABLE GAS FREEING FAN

MPV - A1EGSX



	MPV 350	MPV 400	MPV 450	MPV 500	Trolley (option)	Air Motor (option)	Flexible Duct incl. adaptor (option)
A	355	400	450	500			
B	470	530	580	620			
C	436	436	436	459			
D	514	514	514	537			
E	610	610	610	630			
F	225	225	225	240			
Weight	25 kg	26 kg	27 kg	28 kg	11,5 kg	+ 1 kg	5 kg

4-2158

N Y B O R G A S

R.Berge
12/09-03,
rev02: 18/12-07
rev03: 04/03-16

N-6230 SYKKYLVEN, NORWAY
TEL +47 70 25 40 80 - FAX +47 70 25 29 08
office@nyborgfan.com - www.nyborgfan.com

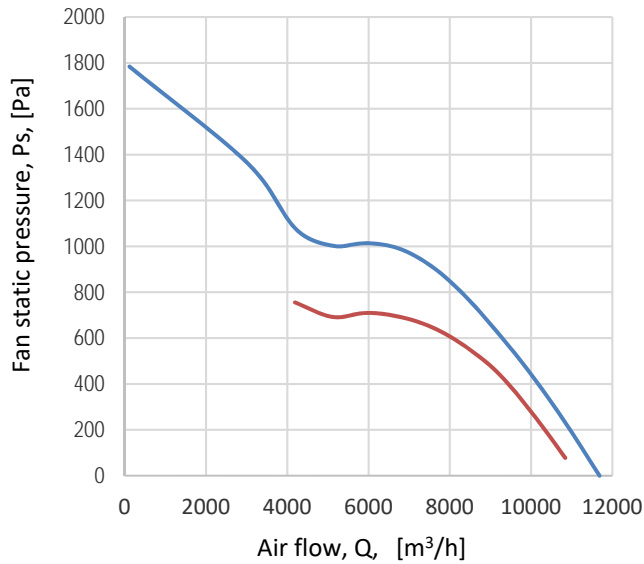
MPV - A1EGSX



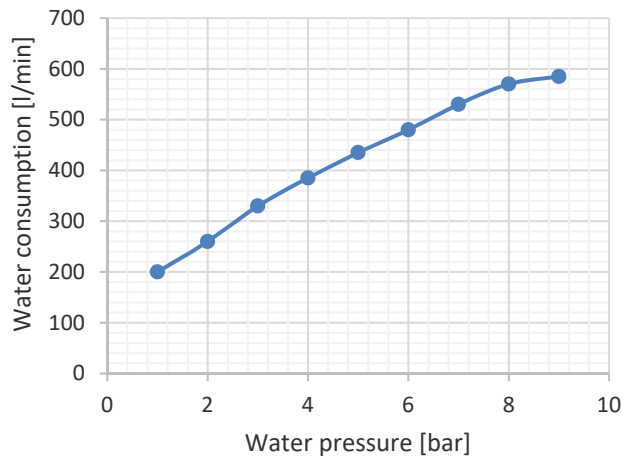
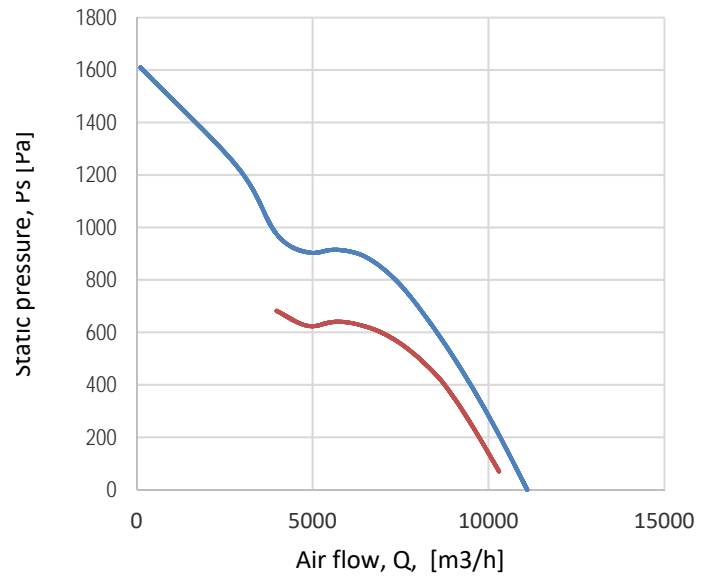
Axial flow fan performance data with WATER MOTOR

MPV 400 A1EGSX

Water motor 7 bar 400-8-35, 4000 rpm, 520 l/min



Water motor 6bar 400-8-35, 3800 rpm, 480 l/min



NYBORG AS

N-6230 Sykkylven, Norway
TEL +47 7025 4080 - FAX +47 7025 2908
office@nyborgfan.com - www.nyborgfan.com

MPV 400 A1EGSX

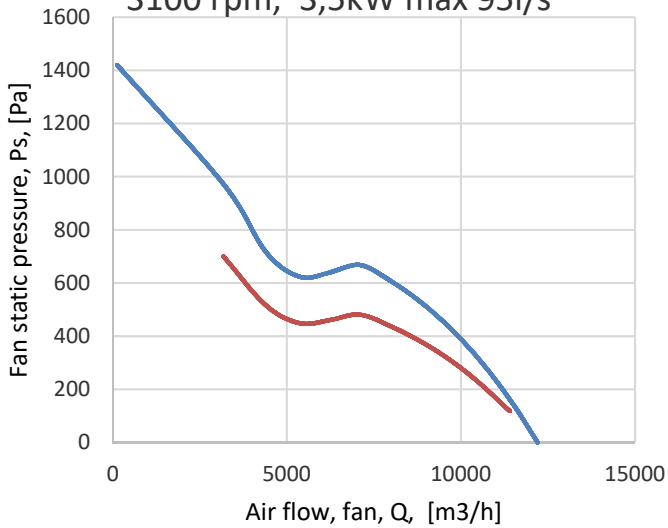


MPV A1EGSX - AIR DRIVEN MOTOR PERFORMANCE DATA

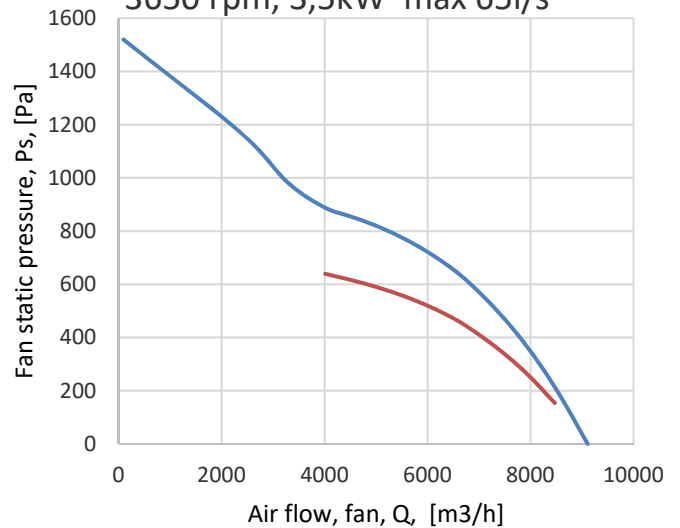
MPV 400 A1EGSX

MPV 315 A1EGSX

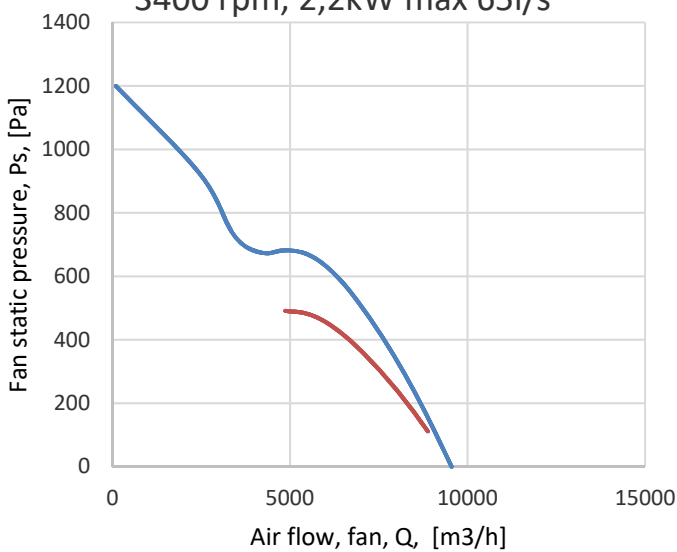
Air motor LZ25 6,3bar 400-8-40,
3100 rpm, 3,5kW max 95l/s



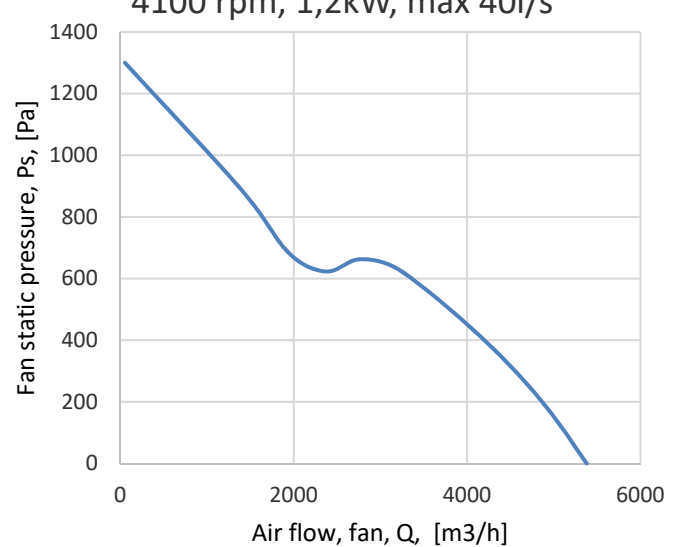
Air motor LZ15 6,3bar 400-8-30,
3650 rpm, 3,5kW max 65l/s



Air motor LZ15 6,3bar 400-8-35,
3400 rpm, 2,2kW max 65l/s



Air motor LZ5 6,3bar 315-6-35,
4100 rpm, 1,2kW, max 40l/s



N Y B O R G A S

N-6230 Sykkylven, Norway
TEL +47 7025 4080 - FAX +47 7025 2908
office@nyborgfan.com - www.nyborgfan.com

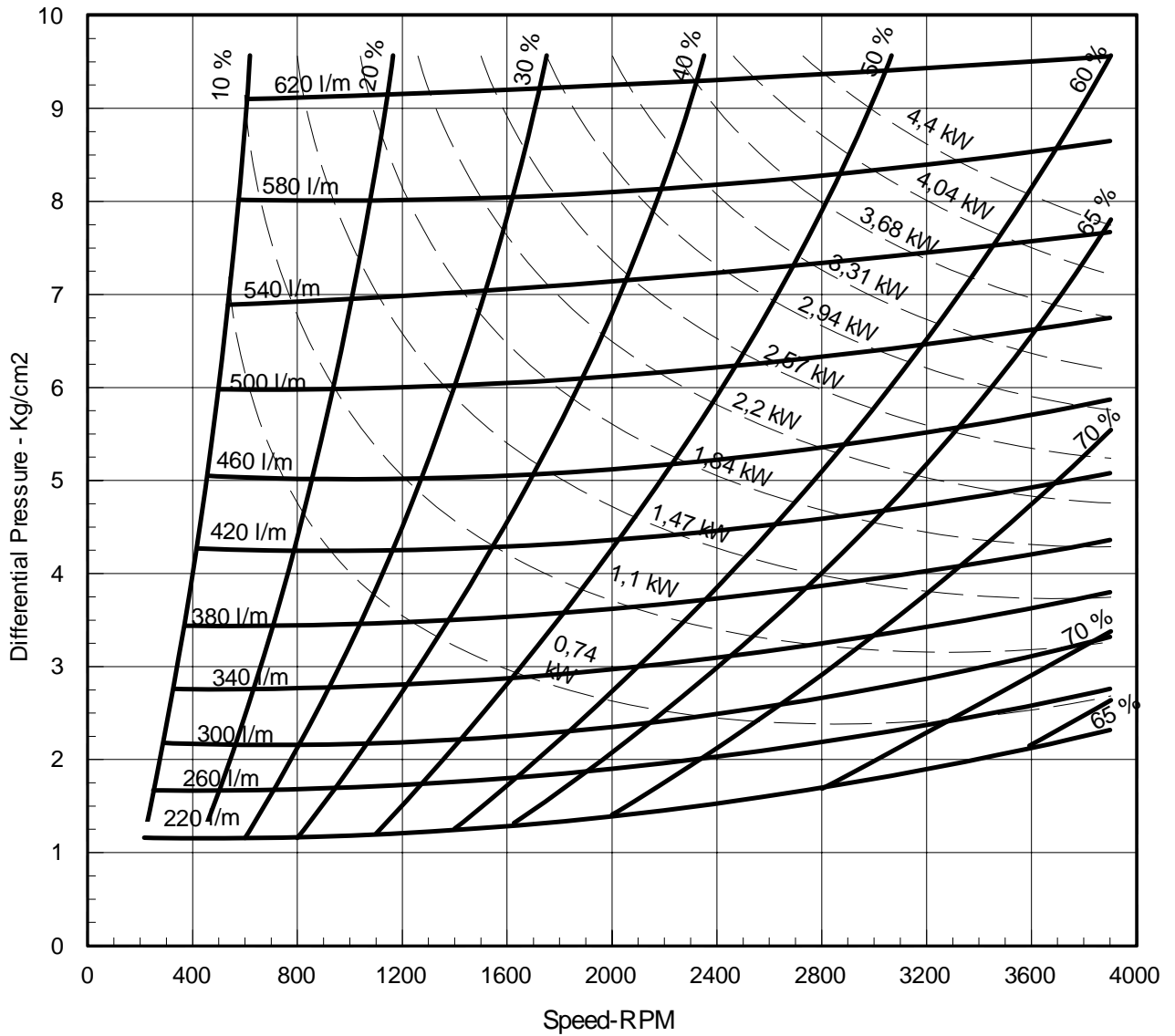
MPV 400 A1EGSX
MPV 315 A1EGSX



NYBORG PORTABLE AXIAL FLOW FAN WATER CONSUMPTION CHART

MPV - A1EGSX

WATER MOTOR : 3,25F WM 0,30 VENT



N Y B O R G A S

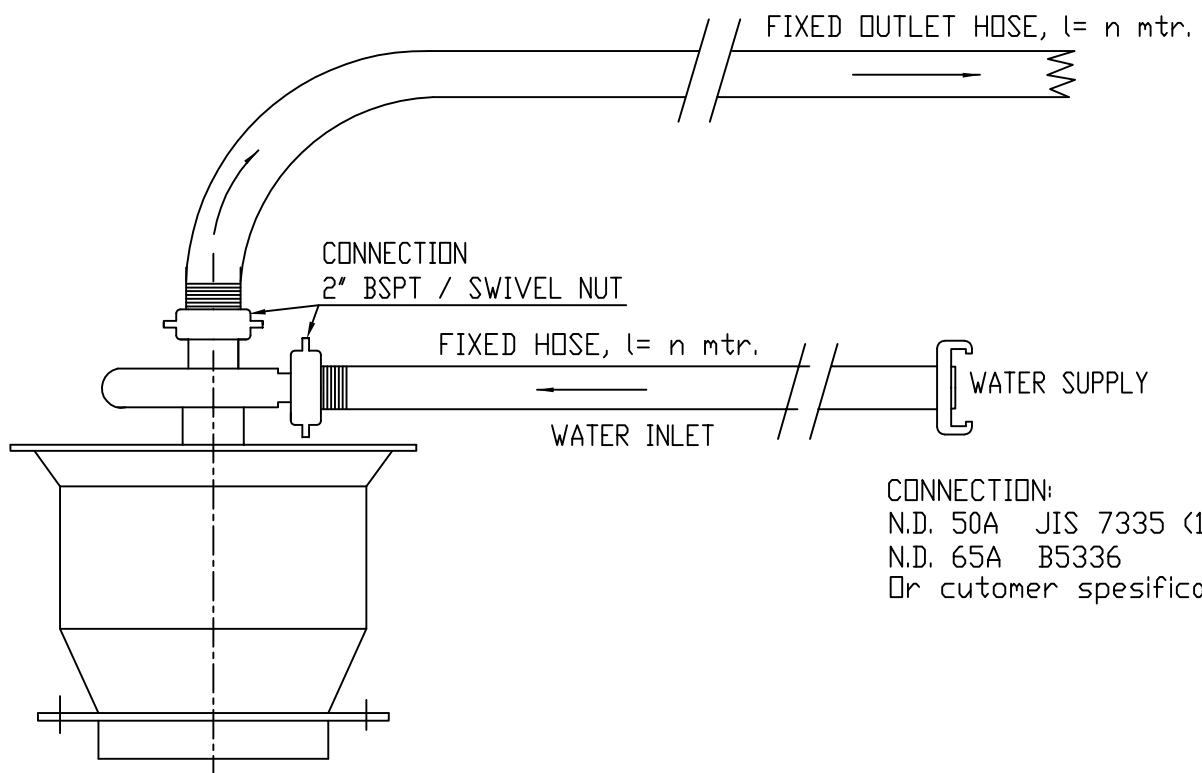
N-6230 SYKKYLVEN, NORWAY
TEL +47 70 25 40 80 - FAX +47 70 25 29 08
office@nyborgfan.com - www.nyborgfan.com

MPV - A1EGSX



PORTABLE GAS-FREEING FAN
ARRANGEMENT HOSES, PRINCIPLE SKETCH

MPV 300/450
A1EGSX



Date : 05.03.98

Tegn : 4-1324

Name : M.Berge

N Y B O R G A S

N-6230 SYKKYLVEN - NORWAY

Tel: +47 70 25 40 80 - Fax +47 70 25 29 08

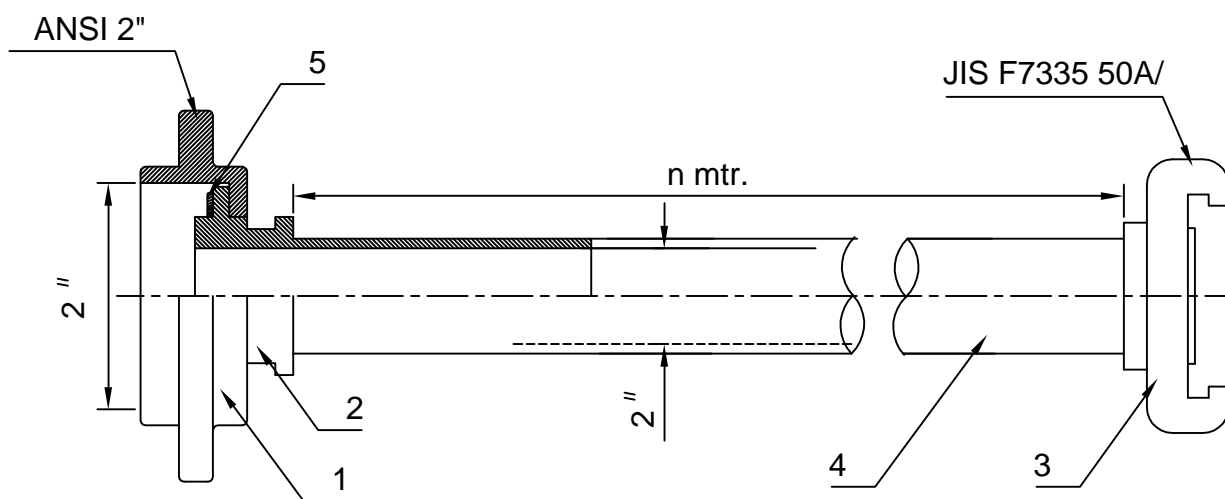
E-MAIL: office@nyborgfan.com - WEB: www.nyborgfan.com

MPV 300/450
A1EGSX



WATER INLET HOSE

MPV 300/450
A1EGSX



5	1	Packing	Neopr
4	1	Hose, Armtex	
3	1	Nakajima joint	Brass
2	2	Hose nipple	Brass
1	1	Swivel nut	Brass
Item	Qty	Part/Description	Matr.

Date : 05.03.98

Tegn : 4-1327

Name : M.Berge

N Y B O R G A S

N-6230 SYKKYLVEN - NORWAY

Tel: +47 70 25 40 80 - Fax +47 70 25 29 08

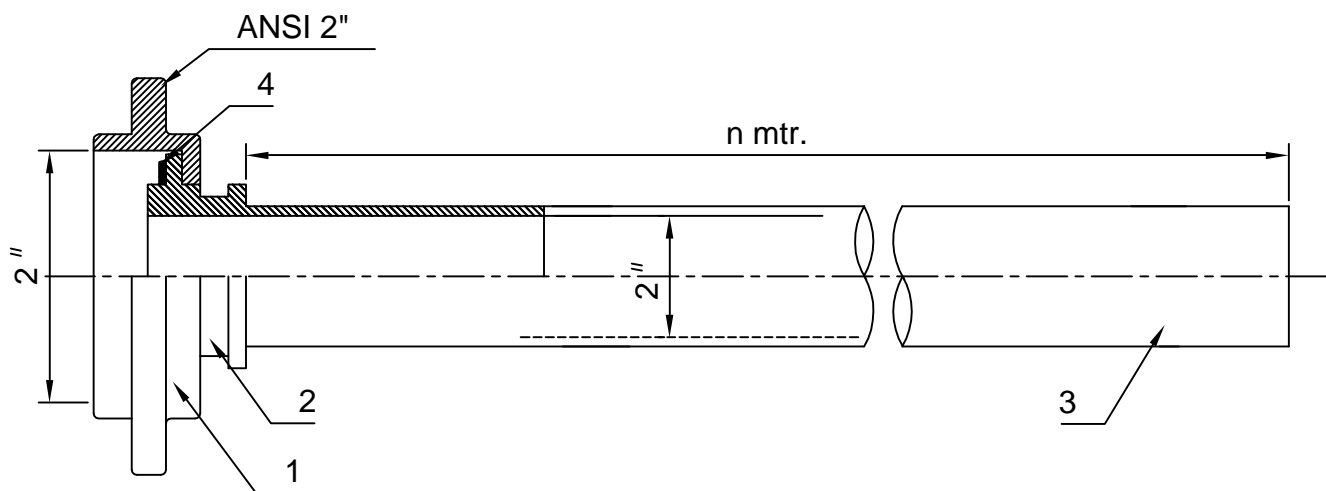
E-MAIL: office@nyborgfan.com - WEB: www.nyborgfan.com

MPV 300/450
A1EGSX



WATER OUTLET HOSE

MPV 300/450
A1EGSX



4	1	Packing	Neopr
3	1	Hose, Heliflat	
2	2	Hose nipple	Brass
1	1	Swivel nut	Brass
Item	Qty	Part	Matr.

Date : 05.03.98

Tegn : 4-1326

Name : M.Berge

N Y B O R G A S

N-6230 SYKKYLVEN - NORWAY

Tel: +47 70 25 40 80 - Fax +47 70 25 29 08

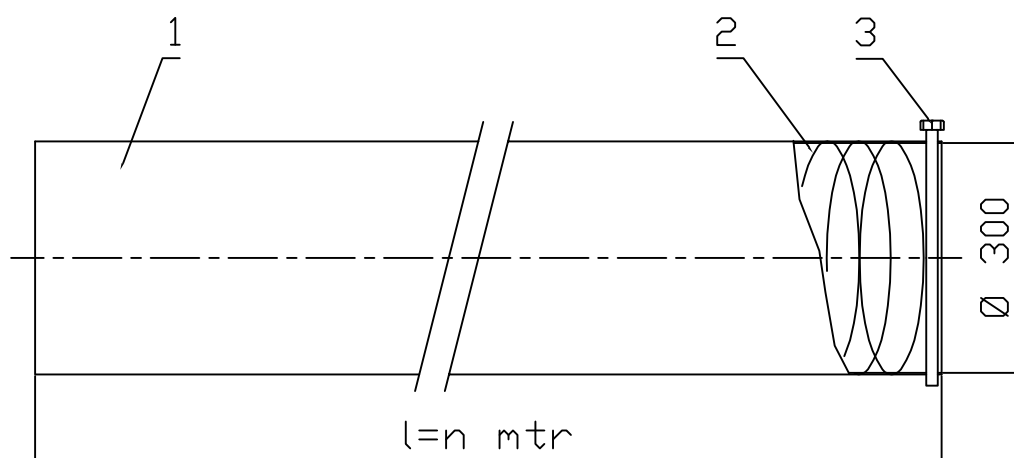
E-MAIL: office@nyborgfan.com - WEB: www.nyborgfan.com

MPV 300/450
A1EGSX



AIR DUCT, COLLAPSIBLE

MPV 300/450
A1EGSX



3	1	Hose clamp	St.37
2	1	Wire reinf.	St.37
1	1	Hose	Nylon
Item	Qty	Part/Descript.	Material

Date : 05.03.98

Tegn : 4-1325

Name : M.Berge

N Y B O R G A S

N-6230 SYKKYLVEN - NORWAY

Tel: +47 70 25 40 80 - Fax +47 70 25 29 08

E-MAIL: office@nyborgfan.com - WEB: www.nyborgfan.com

MPV 300/450
A1EGSX