



- Centrifugal fan characteristics.
- Axial installation / air direction
- Low noise.
- High efficiency.

APPLICATIONS

Nyborg inline fans are ideal for applications where a centrifugal characteristic is desirable, and axial installation are preferred (e.g. when small space available)

The fans are delivered in sizes from $\varnothing 250$ to $\varnothing 1000$

EXECUTION

The ASV fans are designed for marine applications, manufactured in mild steel, hot dip galvanized. Impeller is in sea water alum execution.

Fan is delivered with external terminal box and with brackets for horizontal mounting as standard.

OPTIONAL EXECUTION

- Fan and impeller in aisi 316L execution.
- Fan in alum execution,
- Fan in steel execution, painted.

INSTALLATION:

Fan is as standard delivered with mounting brackets for horizontal installing.

Possible installations are:

- Ducted both ends.
- Ducted suction side and free blowing
- Ducted pressure side and free sucking

Fan can be installed either horizontally or vertical with or without flex connections and/or with vibration dampers.

IMPELLER:

The impeller a centrifugal impeller with backward curved blades. Impeller width can be changed for a higher or lower air flow to suit certain work points.

ELECTRIC MOTOR

The motors are as standard TEFC squirrel caged inductive electric marine motors, IP55 and insulation class F as standard. The fans can also be equipped with EX motors

Motor options:

- IP56, IP65 or IP66,
- anti condensing heating element
- offshore painting
- Vibration monitoring

SPECIAL DESIGNS

- Spark proof execution (for hazardous area)
- special bolt division circle
- with casing thickness 8 or 10mm.
- for roof/deck mounting (with drainage)
- hinged execution for simple maintenance

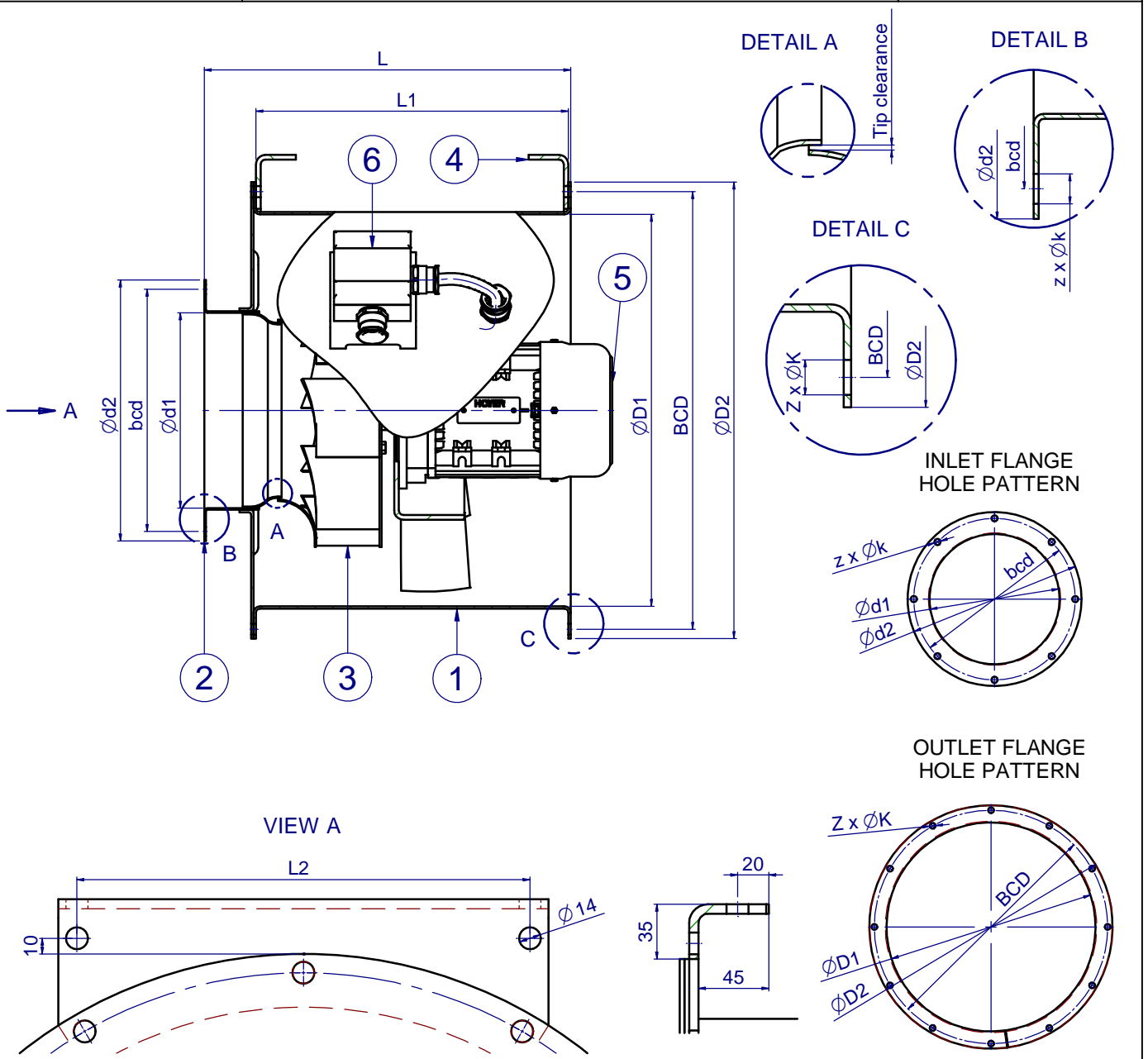
ACCESSORIES

- Counter flange
- Wire mesh inlet / outlet
- Flex connections (in- and/or outlet)
- Vibration dampers for mounting brackets (horizontal installation)
- With reducer on outlet for different duct size
- With silencer on inlet and/or outlet
- External terminal box
- External lubrication points for motors (only for motors with open bearings)



NYBORG INLINE FAN

ASV-B1



6	1		Ext. terminal box	GRP	
5	1		El. motor		
4	2	4-2289p4	Lifting plate	Steel	Galvanized
3	1	4-2289p3	Impeller	Alum	Painted
2	1	4-2289p2	Inlet Cone	Steel	Galvanized
1	1	4-2289p1	Housing	Steel	Galvanized
Pos	Qty	Doc. no.	Title	Matr.	Comm.

El. Motor	Tip Clearance
N71	2
N80	2
N90	2,4
N100	2,8
N112	2,8
N132	3,8
N160	4,2
N180	4,8

Size, d1	d2	bcd	D1	D2	BCD	L	L1	L2	z x k	Z x K	Weight [kg] ex. el. motor
315	398	360	500	584	560	550	500	260	8x14	12x14	50
355	447	405	560	672	630	600	550	68			
400	484	460	630	736	698	780	700	290	12x14	16x14	88
450	534	510	710	816	775						119

Tegn.nr.: 4-2290 rev.C

NYBORG AS

Dato: 2016-10-03
Tegn. av: K. Stańkowski

N-6230 SYKKYLVEN, NORWAY
TEL +47 70 25 40 80 - FAX +47 70 25 29 08
office@nyborgfan.com - www.nyborgfan.com

315 - 450



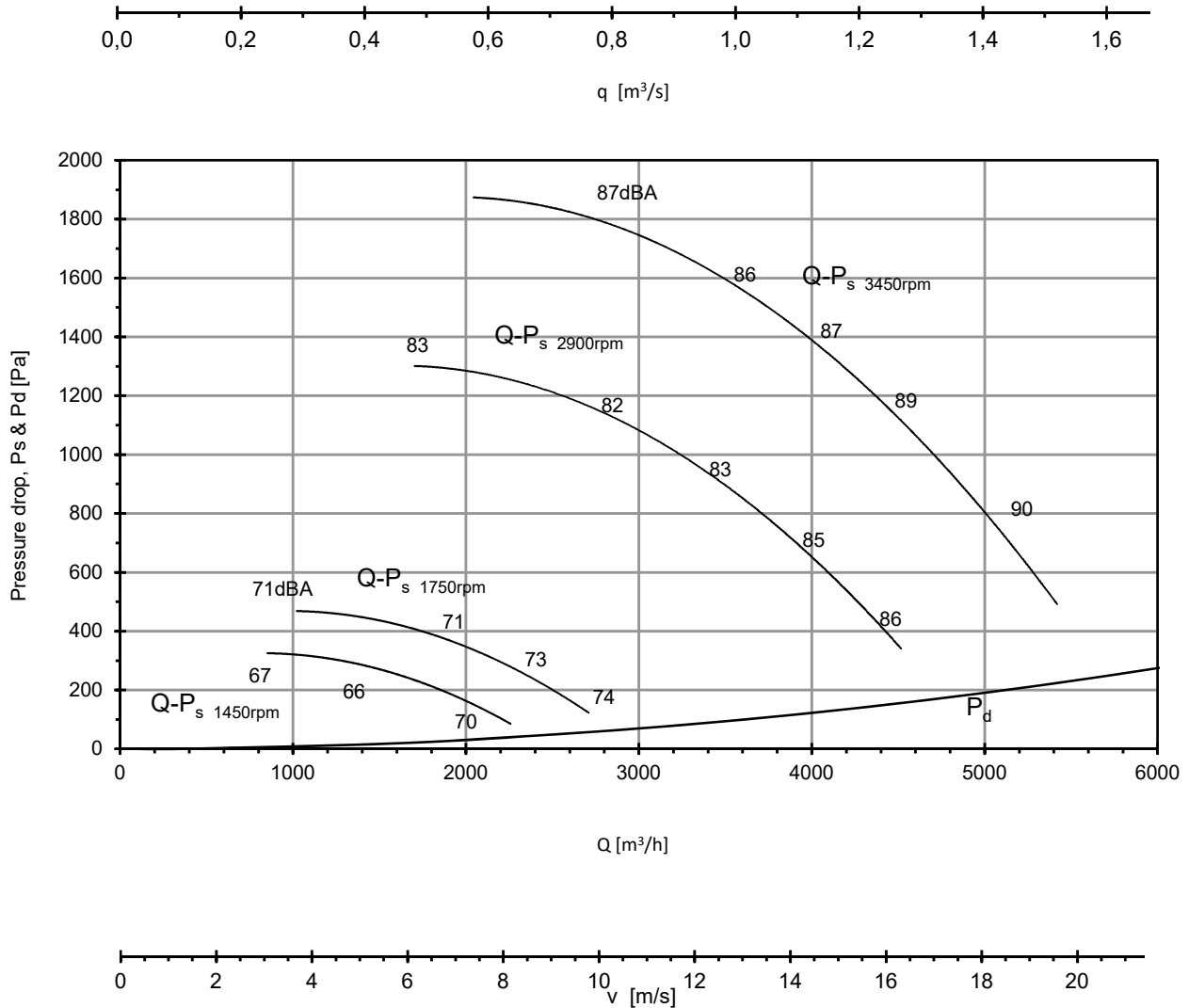
NYBORG LOW PRESS. INLINE CENTR.FAN

PERFORMANCE DATA

fan data at 20 deg C., rho 1,205kg/m3

ASV 315 B

Imp: B8x350x80-
WPS 25



Max power consumption

3450 rpm (2p 60Hz)	2,76 kW	1750 rpm (4p 60Hz)	0,35 kW
2900 rpm (2p 50Hz)	1,6 kW	1450 rpm (4p 60Hz)	0,21 kW

Correction table for noise

frequency [Hz]	63	125	250	500	1000	2000	4000	8000
3500 inlet	-8	-8	-6	-1	-11	-5	-8	-10
3500 outlet	-11	-2	-1	-3	-7	-7	-9	-6
2900 inlet	-7	-8	-6	0	-10	-5	-6	-12
2900 outlet	-10	-2	-1	-2	-6	-7	-7	-8
1750 inlet								
1750 outlet	-6	+2	+6	-4	-7	-6	-9	-18
1450 inlet								
1450 outlet	-5	+2	+6	-3	-6	-6	-7	-20

take noise value from working point in fan curve and subtract octave values to get noise power

NYBORG AS

N-6230 Sykkylven, Norway

TEL +47 7025 4080 - FAX +47 7025 2908

office@nyborgfan.com - www.nyborgfan.com

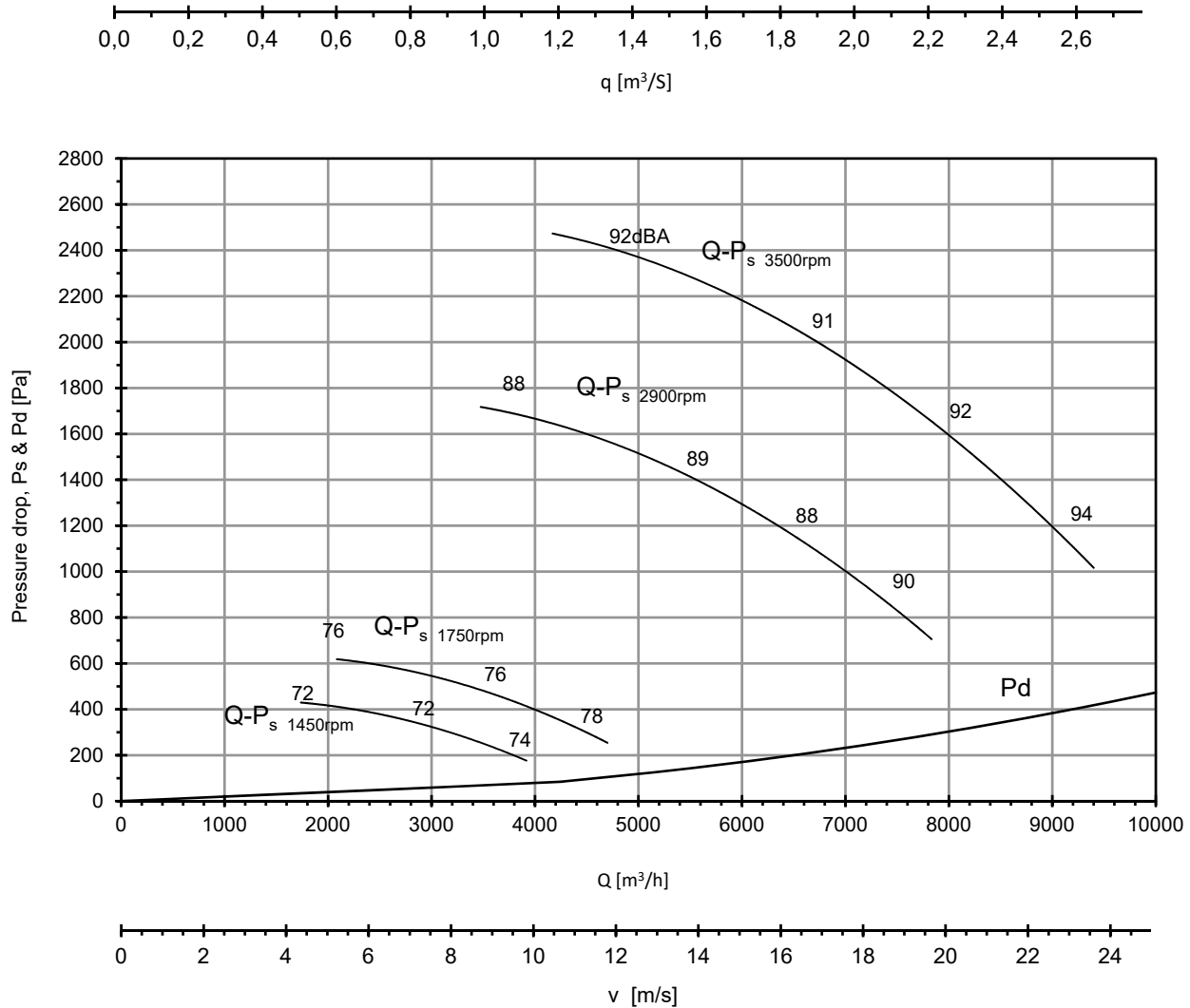
nybmw_xls_15-01

ASV 315 B



NYBORG LOW PRESS. INLINE CENTR.FAN
PERFORMANCE DATA
 fan data at 20 deg C., rho 1,205kg/m3

ASV 355 B
 Imp: B9x420x95-
 WPS 31



Max power consumption

3450 rpm (2p 60Hz)	7,1 kW	1750 rpm (4p 60Hz)	0,9 kW
2900 rpm (2p 50Hz)	4,1 kW	1450 rpm (4p 60Hz)	0,52 kW

N Y B O R G A S

N-6230 Sykkylven, Norway
 TEL +47 7025 4080 - FAX +47 7025 2908
 office@nyborgfan.com - www.nyborgfan.com

nybmw_xls_15-02

ASV 355 B