

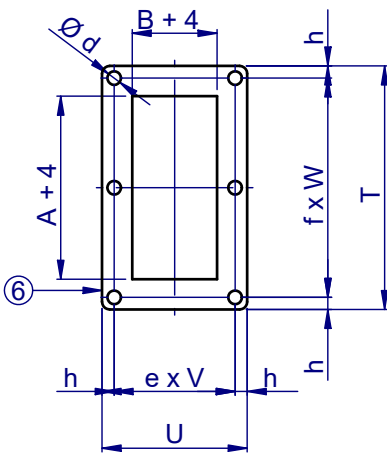
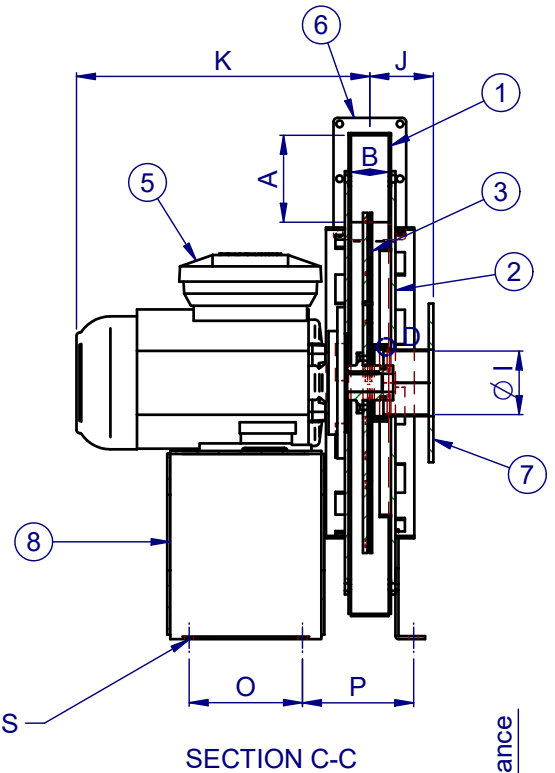
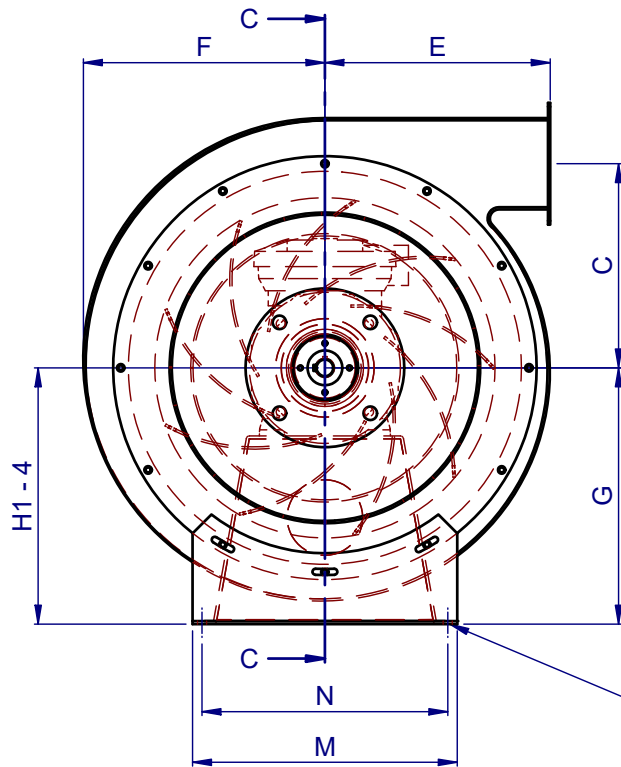


HIGH PRESSURE CENTRIFUGAL FAN

Ex Type

Dimension Drawing

HZV - B1



DETAIL D
Brass Lining
(for AISI 316L only)

Material: Alum 5052
(Option: AISI 316L)

11	Contra Flange, Inlet	Alum.5052	Option
10	Contra Flange, Outlet	Alum.5052	Option
9	Wire Guard, Inlet	AISI 304	Option
8	Motor Pedestall	Alum.5052	Required for heavy motor
7	Flange, Inlet	Alum.5052	Option
6	Flange, Outlet	Alum.5052	
5	El. Motor	Alum.5052	
4	Conn. Piece, Collar Inlet	Alum.5052	
3	Impeller	Alum.5052	
2	Inlet Cone	Alum.5052	
1	Fan Housing	Alum.5052	
Item	Description	Material	Remarks

El. Motor	Minimum Tip Clearance
N63	2
N71	2
N80	2
N90	2,4
N100	2,8
N112	2,8

Fan Size Øl	A	B	C	E	F	G	J	M	N	P	O	Z	ØS	T	U	V	W	Ød	e	f	h
75	80	50	202	223	235	230	107	320	280	100	195	6	12	106	96	90	90	9	1	1	8
100	115	50	270	298	319	339	84	400	361	147	150	6	12	161	96	90	72,5	9	1	2	8
125	200	70	333	372	413	419	91	540	500	167	150	6	12	246	116	96	113	10	1	2	10
150	205	90	367	442	460	450	111	540	500	167	150	6	12	249	136	101	133	10	1	2	10

Tegn.nr.: 4-2293

N Y B O R G A S

Dato: 20.10.2016
Tegn. av: SA.Drabløs

N-6230 SYKKYLVEN, NORWAY
TEL +47 70 25 40 80 - FAX +47 70 25 29 08
office@nyborgfan.com - www.nyborgfan.com

75 - 150

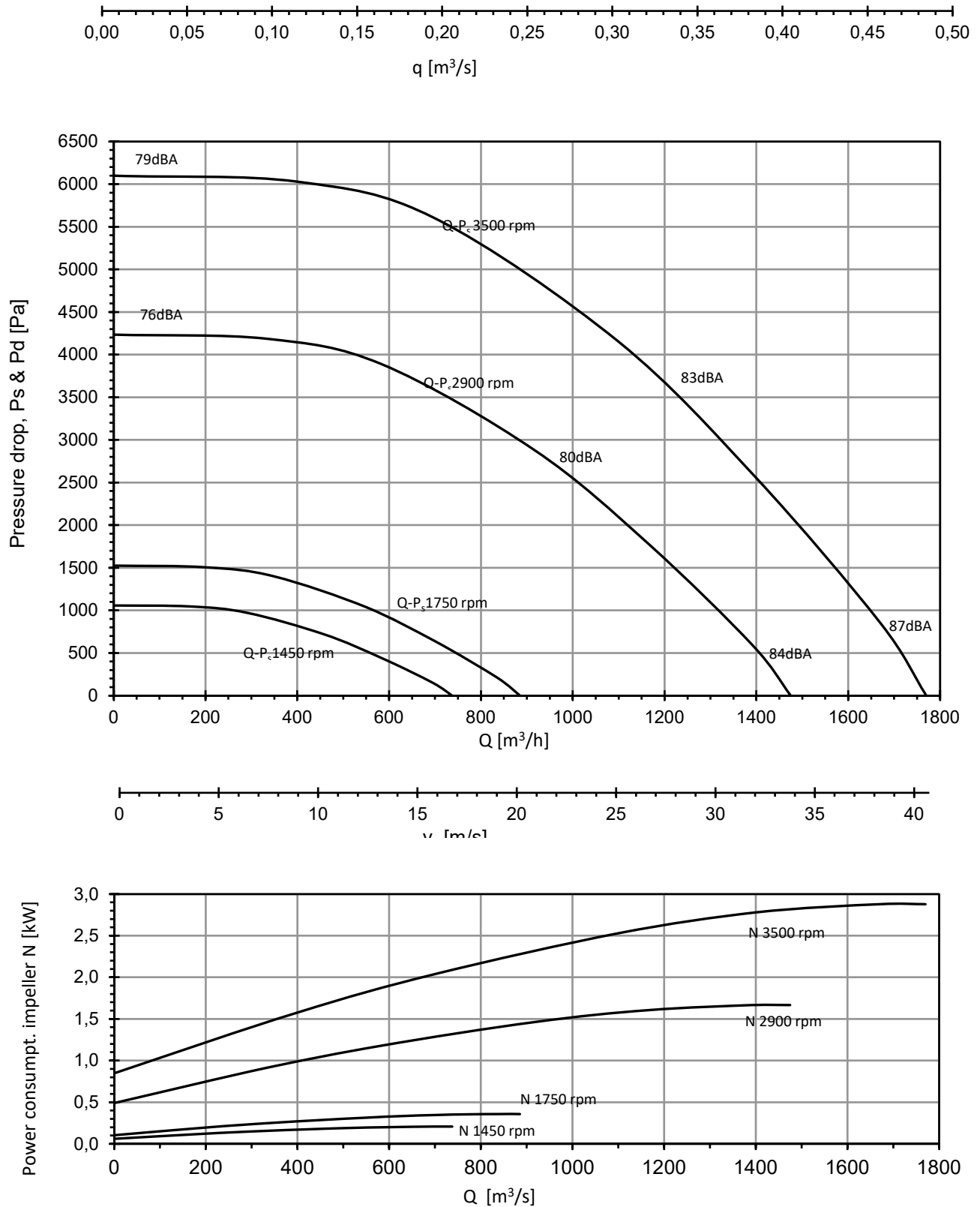


NYBORG HIGH PRESS.CENTR. FAN PERFORMANCE DATA

fan data at 20 deg C., $\rho=1,2\text{kg/m}^3$

HZV 125 B

Imp:B12x530x4
(wpo 12,5)



NYBORG AS

N-6230 Sykkylven, Norway

TEL +47 7025 4080 - FAX +47 7025 2908

office@nyborgfan.com - www.nyborgfan.com

hsv18_xls-09

HZV 125 B



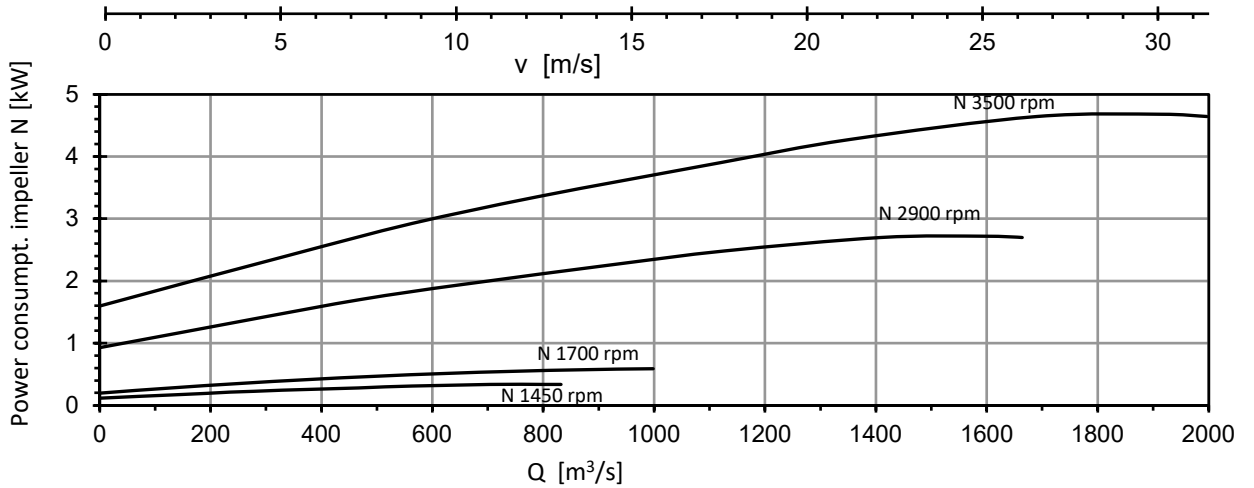
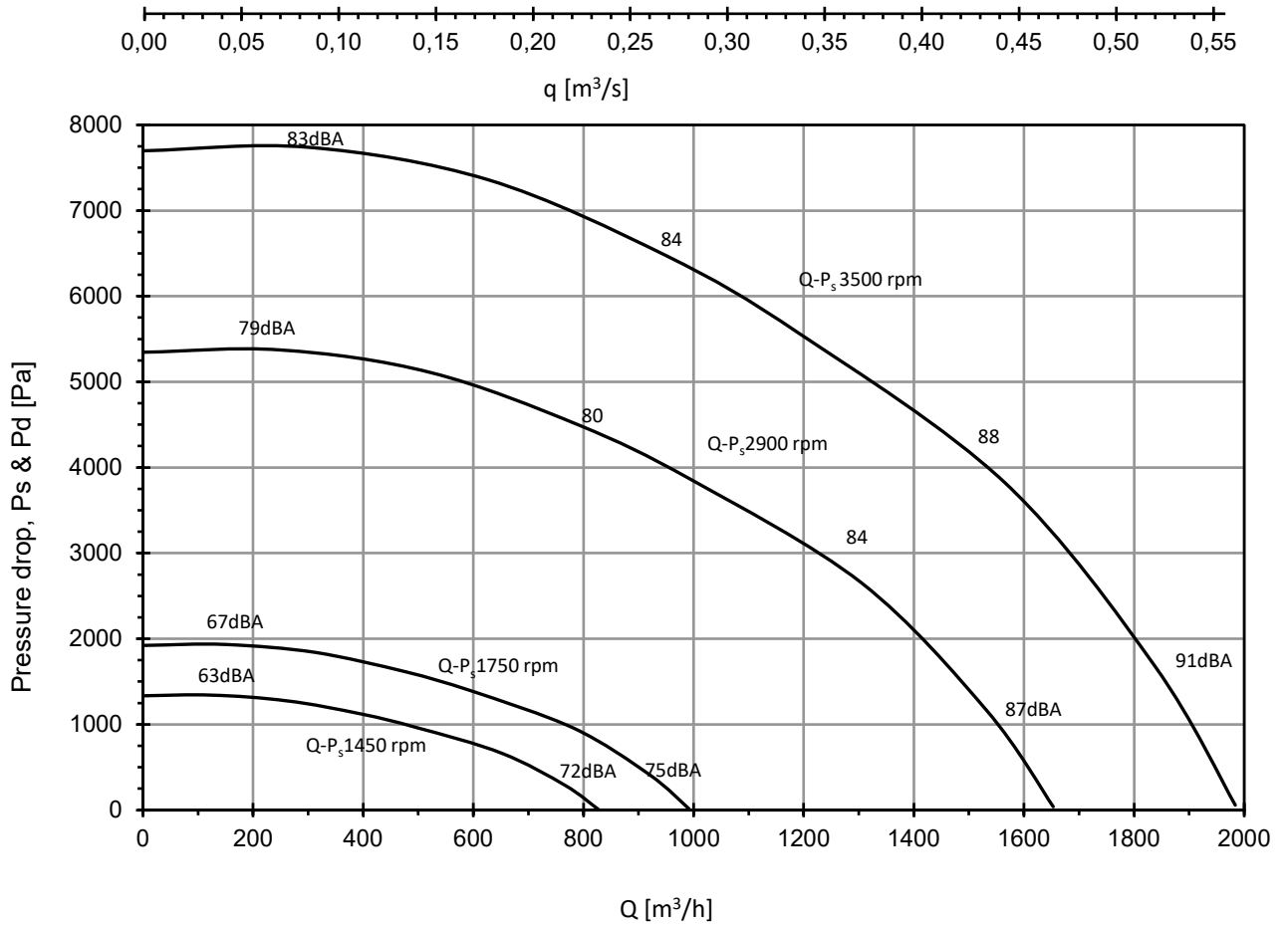
NYBORG HIGH PRESS. CENTR. FAN

PERFORMANCE DATA

fan data at 20 deg C., $\rho=1,2\text{kg/m}^3$

HZV 150 B

Imp: B12x594x4
(WPO 14)



Noise correction table

frequency [Hz]	63	125	250	500	1000	2000	4000	8000
2900 rpm inlet	3	-1	-1	6	6	3	0	-2
3500 rpm inlet	2	0	-1	4	6	4	1	-2
1750 rpm, inlet	-3	-1	6	3	3	0	-2	-3
1450 rpm, inlet	-2	-2	6	5	3	-1	-3	-3
surroundings, steel	-14	-18	-22	-25	-28	-30	-30	-30
surroundings, alum	-8	-12	-16	-19	-22	-24	-24	-24

NYBORG AS

N-6230 Sykkylven, Norway

TEL +47 7025 4080 - FAX +47 7025 2908

office@nyborgfan.com - www.nyborgfan.com

hsv18-08b